



Please read user's manual before
operating equipment

Original Instructions

LABCONCO CORPORATION

8811 Prospect Avenue
Kansas City, MO 64132
(800) 821-5525 | +1 (816) 333-8811
labconco.com

User's Manual

Cell Logic+[®] Type A2 Biosafety Cabinets



Register this product

Cell Logic⁺® Type A2 Biosafety Cabinets

2019—Present

32239xxx1	33239xxx1	34239xxx1
32249xxx1	33249xxx1	34249xxx1
32259xxx1	33259xxx1	34259xxx1
32269xxx1	33269xxx1	34269xxx1

Copyright © 2019 Labconco Corporation. The information contained in this manual and the accompanying products are copyrighted and all rights reserved by Labconco Corporation. Labconco Corporation reserves the right to make periodic design changes without obligation to notify any person or entity of such change.

Warranty

Labconco Corporation provides a warranty to the original buyer for the repair or replacement of parts and reasonable labor as a result of normal and proper use of the equipment with compatible chemicals. Broken glassware and maintenance items, such as filters, gaskets, light bulbs, finishes and lubrication are not warranted. Excluded from warranty are products with improper installation, erratic electrical or utility supply, unauthorized repair, use with incompatible chemicals, or non-factory modifications to the original product.

Purifier® Cell Logic®+ Biological Safety Cabinets carry a five-year warranty from date of installation or six years from date of shipment from Labconco, whichever is sooner. Warranty is non-transferable and only applies to the owner (organization) of record.

Buyer is exclusively responsible for the set-up, installation, verification, decontamination or calibration of equipment. This limited warranty covers parts and labor, but not transportation and insurance charges. If the failure is determined to be covered under this warranty, the dealer or Labconco Corporation will authorize repair or replacement of all defective parts to restore the unit to operation. Repairs may be completed by 3rd party service agents approved by Labconco Corporation. Labconco Corporation reserves the rights to limit this warranty based on a service agent's travel, working hours, the site's entry restrictions and unobstructed access to serviceable components of the product.

Under no circumstances shall Labconco Corporation be liable for indirect, consequential, or special damages of any kind. This warranty is exclusive and in lieu of all other warranties whether oral, or implied.

Returned or Damaged Goods

Do not return goods without the prior authorization from Labconco. Unauthorized returns will not be accepted. If your shipment was damaged in transit, you must file a claim directly with the freight carrier. Labconco Corporation and its dealers are not responsible for shipping damages.

The United States Interstate Commerce Commission rules require that claims be filed with the delivery carrier within **fifteen (15) days** of delivery.

Limitation of Liability

The disposal and/or emission of substances used in connection with this equipment may be governed by various federal, state, or local regulations. All users of this equipment are required to become familiar with any regulations that apply in the user's area concerning the dumping of waste materials in or upon water, land, or air and to comply with such regulations. Labconco Corporation is held harmless with respect to user's compliance with such regulations.

For additional questions or support:

Labconco Customer Care +1 (816) 333-8811

Labconco Technical Support (800) 821-5525

Hours 7:30 a.m.-5:30 p.m. CST

**Part #4028930 Rev. F
ECO N889**

Table of Contents

1: INTRODUCTION	9
About This Manual	9
Contents Included	9
2: BEFORE YOU INSTALL	10
Location Requirements	10
Clearance Requirements	11
Electrical Requirements	11
Service Line Requirements	11
Exhaust Requirements	12
Air-Tight Damper	15
User-Supplied Microscope Requirements – Scope-Ready™ Package Only	15
User-Supplied Circulator Requirements – Temp-Zone™ Package Only	16
3: SAFETY PRECAUTIONS	17
Typographical Conventions	17
General Safety Precautions	19
Safety Precautions for this Product	21
4: INSTALLATION	23
Unpacking	23
Electrical Connection	28
Service Line Connection	29
Drain Valve Installation (Optional)	30
Exhaust Connection	31

Microscope Installation (optional)	31
Circulator Installation (optional)	33
Figure 4-9	34
Certification	35
5: PERFORMANCE FEATURES	36
Laminar Airflow	36
Directional Airflow	37
Cabinet Air Intake (Front Grille)	37
HEPA Filters	38
ULPA Filters	38
Motor/Blower	39
UV Lamp (optional)	40
Scope-Ready™ Package (optional)	40
Pure-Vu™ Seal	40
Stand-Still™ Isolation Platform	41
Temp-Zone™ Package (optional)	41
6: MYLOGIC™ OPERATING SYSTEM	42
Home Screen	42
Display Sleep Mode	43
Keypad	43
Main Menu	44
Configuration Submenu	45
Audible Tones	45
Selecting a Language	45
Setting the Clock	46
Setting Automatic Operation Options (Nightsmart™ / SmartStart™)	47
Navigating the Settings Submenu	48

Selecting the Units of Measure	48
Activating the Security Lock	48
Setting the USB Output Rate	48
UV Parameters	49
The Tools Submenu	49
Timer Operation	50
Interval Timer Operation	50
Stopwatch Timer Operation	50
Airflow Alert	51
Resetting the Airflow Alert System	51
Alarms	52
Power Loss Alarm	52
Sash Height Alarm	52
Blower Failure Alarm	52
Running Exhaust Alarm	53
7: USING YOUR CELL LOGIC+ TYPE A2	54
Feature Overview	54
System Reset Switch	55
Keypad	56
Sash Operation	57
Blower Operation	57
Light Operation	57
Outlet Operation	57
Vacu-Pass™ Cord & Cable Pass Thru (optional)	58
Working in the Cabinet	59
Planning	59
Cabinet Start-up	59
Wipe Down	59
Loading Materials and Equipment	60
Work Techniques	60
Final Purging	60
Unloading Materials and Equipment	60
Wipe Down	60
Shutdown	61

8: MAINTAINING YOUR CELL LOGIC+ TYPE A2 **62**

Maintenance Safety Precautions	62
Recommended Maintenance Schedule	63
Service Operations	64
Resetting a Circuit Breaker	64
Dished Work Surface Removal	65
Front Grille Removal	65
Front Panel Removal	66
Changing the LED Lamps	67
Changing the Optional UV Lamp	69
Storage	70

9: ACCESSORIES **71**

Telescoping Base Stands	71
Manual or Electric Hydraulic Lift Base Stands	71
SoLo™ Electric Hydraulic Lift Base Stands	72
IV Bar	73
Airflow Sensor	73
Stand-Still™ Isolation Platform	74
Pure-VU™ Seals	74

10: TROUBLESHOOTING **75**

Blower and Lights not working	75
Blower only will not start	76
Lights only will not illuminate	77
UV Light will not illuminate	78
Airflow Alert activating	79
Filter Life Gauge not at 100% when new	80
Contamination in the work area	81

APPENDIX A: PARTS LIST	82
APPENDIX B: DIMENSIONS	84
APPENDIX C: SPECIFICATIONS	85
Power Data	85
Motor Specifications	85
Environmental Conditions	86
APPENDIX D: QUICK CHART REFERENCE	87
APPENDIX E: INSTALLATION GUIDE: PURE-VU™ SEALS AND STAND-STILL™ ISOLATION PLATFORMS	88
PURE-VU TEMPLATE	95

1: Introduction

Congratulations on the purchase of a Cell Logic+® Type A2 biosafety cabinet. The biosafety cabinet is designed to protect you, the product and the laboratory environment from biohazardous aerosols. It is the result of years of experience in manufacturing laboratory equipment, and users like you suggested many of its features to us.

This biosafety cabinet offers many unique features. To take full advantage of them, please acquaint yourself with this manual and keep it handy for future reference.

About This Manual

This manual is written for the installer and user of this product. For detailed service, certification, or technical information, please utilize the Technical Manual located on the website labconco.com.



This manual contains important operation and safety information. When you see a symbol, such as the INFO symbol to the left, pay close attention to the information provided. Before installing or operating this product, you must read [Section 3: Safety Precautions](#).

Contents Included

The following items are packaged with the product.

- User's manual thumb drive
- Drain valve assembly and fasteners
- Power cord
- Vacu-Pass™ accessory plug (if option package ordered)

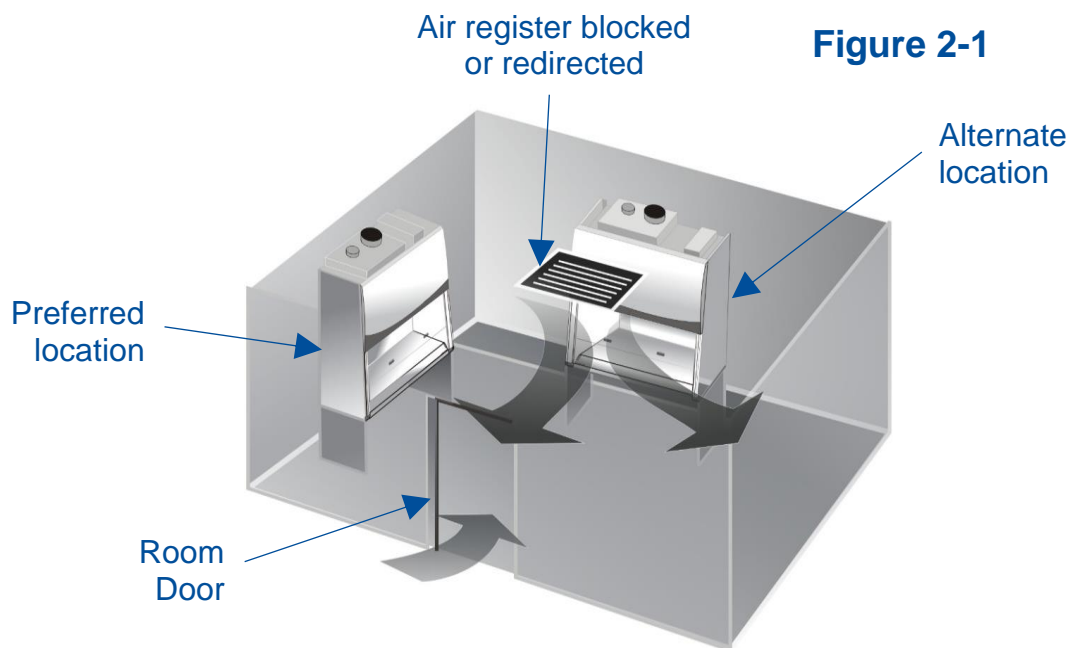
The location of these items and additional details are found in [Section 4: Installation](#).

2: Before You Install

Before you install the product, the site should be prepared for installation. Examine the location where you intend to install it. You must be certain that the area is level and of solid construction. In addition, a dedicated source of electrical power must be located within 10 feet (3 m) of the installation site.

Location Requirements

A biosafety cabinet should be located away from areas of high foot traffic, doors, fans, ventilation registers or vents, chemical fume hoods or other air-handling devices. Any of these may interfere with the airflow patterns in and around the product, and subsequently diminish product and/or personnel protection. All windows in the room should remain closed. Figure 2-1 shows the preferred and alternate locations for this product.



Clearance Requirements

A minimum clearance of at least 6 inches (150 mm) is suggested on the top and both sides of the product for service.

See [Appendix B: Dimensions](#) for overall product dimensions.

Electrical Requirements

The product models have the following electrical requirements.

Catalog Number	Typical Operating Current (Amps)	Electrical Circuit Requirements ¹	
3x239xx01	3 A	115 V, 60 Hz, 12 A	1 Phase
3x239xx21	3 A	100 V, 50/60 Hz, 12 A	1 Phase
3x239xx-11, 31, 41, 51, 61, 71	1.5 A	230 V, 50/60 Hz, 6 A	1 Phase
3x249xx01	3 A	115 V, 60 Hz, 12 A	1 Phase
3x249xx21	3 A	100 V, 50/60 Hz, 12 A	1 Phase
3x249xx-11, 31, 41, 51, 61, 71	1.5 A	230 V, 50/60 Hz, 6 A	1 Phase
3x249xx-11, 31, 41, 51, 61, 71	1.5 A	230 V, 50/60 Hz, 6 A	1 Phase
3x259xx01	5 A	115 V, 60 Hz, 16 A	1 Phase
3x259xx21	5 A	100 V, 50/60 Hz, 16 A	1 Phase
3x259xx-11, 31, 41, 51, 61, 71	2.5 A	230 V, 50/60 Hz, 8 A	1 Phase
3x269xx01	6.5 A	115 V, 60 Hz, 16 A	1 Phase
3x269xx21	6.5 A	100 V, 50/60 Hz, 16 A	1 Phase
3x269xx-11, 31, 41, 51, 61, 71	3.3 A	230 V, 50/60 Hz, 8 A	1 Phase
3x269xx-11, 31, 41, 51, 61, 71	3.3 A	230 V, 50/60 Hz, 8 A	1 Phase

¹ Electrical Requirements, 'V' = VAC (Voltage with alternating current), 'A' = Amperes



A dedicated outlet with an appropriate circuit breaker should be located as close as possible to the product, but no greater than 10 feet (3 m). Consult your local electrical codes for properly rated circuit breakers. For safe operation the dedicated outlet must provide a protective earthing ground connection to the product.



On 100V and 115V models, both internal electrical outlets are protected by a ground fault interrupter circuit (GFIC). Labconco does NOT recommend connecting the product's power cord into a GFIC outlet. GFIC outlets can nuisance trip, resulting in complete removal of power to the product. Such a scenario would result in complete loss of product and/or personnel protection.

Service Line Requirements

All utility service lines should be ¼ inch O.D., brass, copper, or stainless steel, and equipped with an easily accessible shut-off valve. The service valves are rated for operation at 40 PSI (275 kPa). If the service line pressure exceeds this, it must be equipped with a pressure regulator to reduce the line pressure.



Note: The use of flammable gases or solvents should be avoided in the biosafety cabinet. Open flame in the cabinet will disrupt the laminar airflow in the cabinet and may damage the HEPA filters. Flammable gases or solvents may reach explosive concentrations in the cabinet or ductwork. If you feel that the procedure requires the use of an open flame or flammable materials, contact your institution's safety office.



Note: The use of air or gases under high pressure should be avoided as they may seriously disrupt the airflow patterns in the cabinet.

Exhaust Requirements

This product may be connected to a remote (building) exhaust system, when the optional Ventus™ Canopy Connection Kit is installed.



Note: Only connect the biosafety cabinet to a suitable exhaust system that is dedicated to the biosafety cabinet, or dedicated to exhausting laboratory ventilation equipment. Do NOT connect the biosafety cabinet to the building's general HVAC system for room exhaust.

Examine the location to ensure that it accommodates the cabinet's exhaust duct. The area directly above the cabinet's exhaust port should be clear of structural elements, water and utility lines, or other fixed obstructions. There should be enough clearance to accommodate a 10-inch diameter duct. See Figure 2-2.

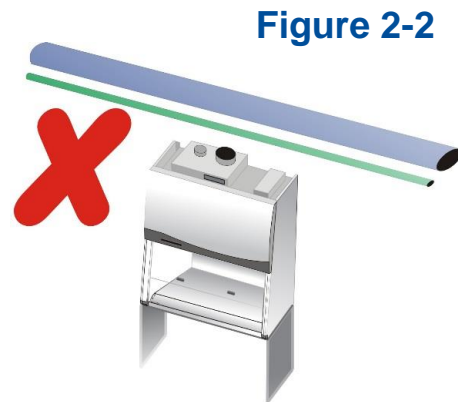


Figure 2-2

Avoid cabinet locations that require an elbow directly above the cabinet's exhaust connection or an excessive number of elbows in the exhaust system. There should be a straight length 10 duct diameters long between the cabinet connection and any elbow, and between subsequent elbows. See Figure 2-3.

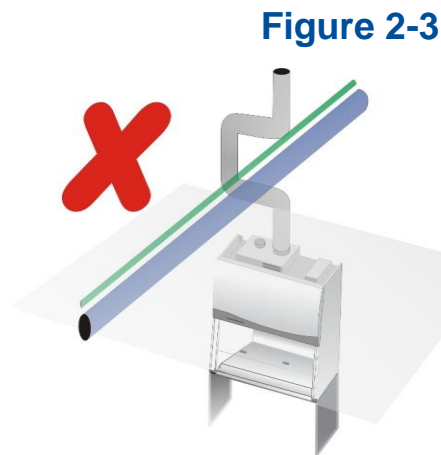


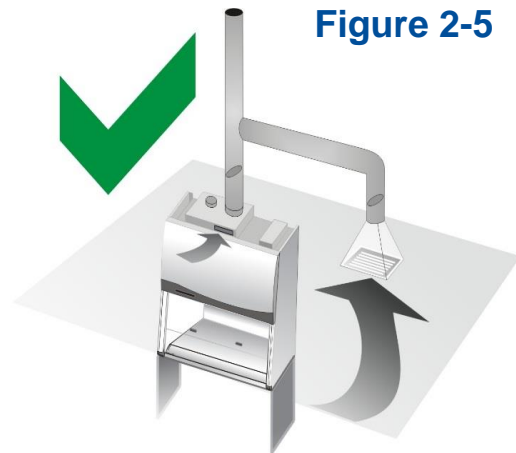
Figure 2-3

The Inlet Relief Valve located on the top of the cabinet is designed to draw a maximum of 100 CFM (170 m³/hr).

Attempting to draw additional room air through the valve (room air exhaust), can result in unstable cabinet operation. See Figure 2-4.



If additional room exhaust needs to be drawn through the exhaust system, install an additional duct and balancing damper downstream of the cabinet's damper. This will allow for proper balancing of the system. See Figure 2-5.



Labconco highly recommends installing an air-tight damper above each biosafety cabinet when connected to a building exhaust system. See *Air-Tight Damper* information on the following pages. The air-tight damper allows for fine adjustment of the exhaust air volume provided, in order to correctly set the necessary exhaust airflow for each biosafety cabinet. It also allows the biosafety cabinet to be sealed off from the building exhaust system, should it become necessary to do so.

The exhaust system must be capable of moving the following volumes of exhaust air at the negative pressures listed. The **Airflow Volumes** are the values recorded via direct measurement using a flow hood at the front opening of the cabinet. The **Concurrent Balance Values** are measured in the exhaust duct via traverse methodology, and will always be higher due to differences in volume measurement methodologies.

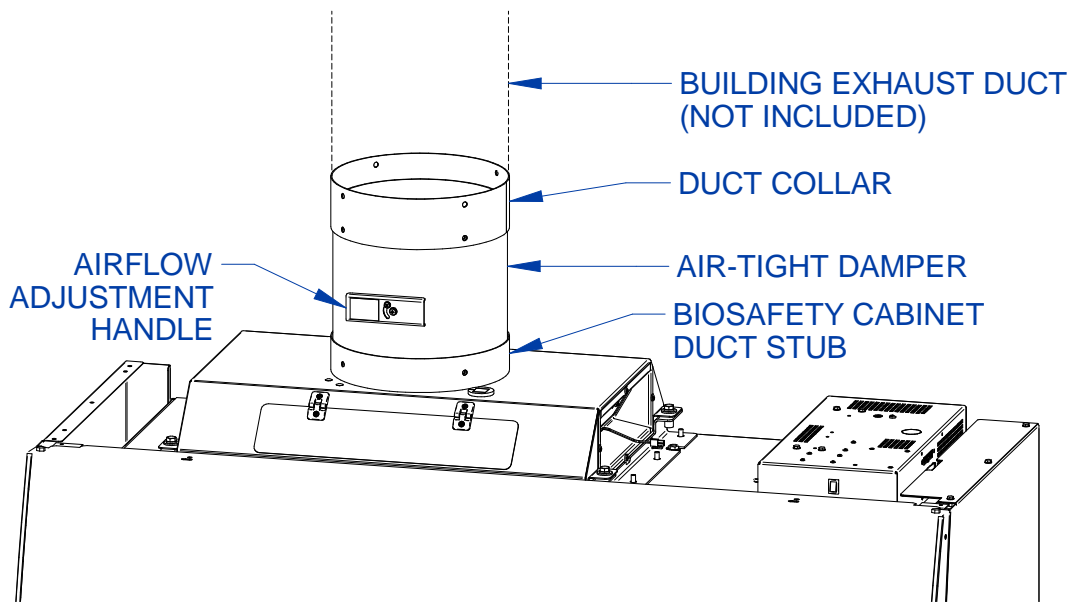
Table 2-1

Cell Logic+ Type A2 Model	Airflow Volume		Concurrent Balance Value		Recommended Duct Vacuum ¹	
	ft ³ /min	m ³ /hr	ft ³ /min	m ³ /hr	WC ²	Pa
3-foot, 9" Sash	290	492	319	541	0.15	38
4-foot, 9" Sash	369	627	405	688	0.15	38
5-foot, 9" Sash	447	760	492	835	0.15	38
6-foot, 9" Sash	526	894	579	983	0.15	38

1: Unlike Type B biosafety cabinets, the recommended vacuum will remain constant throughout the life of the exhaust HEPA filter. Duct vacuums below 0.05 inches H₂O (12 Pa) or above 0.5 inches H₂O (125 Pa) may result in erratic operation and throw an alarm condition from the product.

2: WC = Inches of Water Column, typically expressed in units of *inches H₂O*.

Figure 2-6



Visual appearance of biosafety cabinet and exhaust connection may vary by model.

User-Supplied Microscope Requirements – Scope-Ready™ Package Only

If installing a microscope, locate the Stand-Still™ Isolation Platform in a separate box shipped with the cabinet. The Stand-Still Isolation Platform supports the microscope on top of the stainless steel work surface to eliminate up to 94% of vibrations and to promote safe airflow. If using a stereoscope with a forward extending base, the extended Stand-Still XL Isolation Platform should be ordered from [Section 9: Accessories](#). Figures from [Appendix E](#) should be used to assist your set-up.

On models with the Scope-Ready package, the Cell Logic+ Biosafety Cabinet includes a clear, disposable Pure-Vu™ Seal that can be altered to accommodate most microscope's eyepieces. Utilize the Punch Kit (Catalog Number 4027801), supplied with your cabinet, to cut the two eyepiece holes at approximately 2.75" (69.9 mm) spacing to match the height of your scope. As a convenience, pre-cut Pure-Vu eyepiece seals can be ordered from [Section 9: Accessories](#). The pre-cut accessory Pure-Vu Seals are based off the nominal height from the base of the microscope to eyepiece centerline and can save time modifying the seal shipped with the Cell Logic+. If using a stereoscope with a forward extending base, one of the Pure-Vu XL Seals should be ordered from [Section 9: Accessories](#). Figures from [Appendix E](#) should be used to assist your set-up for all Pure-Vu Seals.

User-Supplied Circulator Requirements – Temp-Zone™ Package Only

The Temp Zone™ features a temperature controlled area on the work surface where heated or chilled samples may be transferred and kept at optimum temperature. A user-supplied circulator that continually delivers heated or chilled water at a minimum flow rate of 0.5 GPM (1.9 LPM) with typical volume of 6 liters is required and may be obtained from your laboratory supply dealer.

Quick connection fittings are included on the left side of the cabinet and are sized for 3/8" diameter polyethylene tubing. As a convenience, the following items are included with the Temp-Zone package:

- 20 Feet (6 meters) of 3/8" (9.5 mm) outer diameter tubing
- Insulation for 3/8" outer diameter tubing
- Quick-connect fittings (3/8 tube x 1/8 NPT, 3/8 tube x 1/4 NPT, 3/8 tube x 3/8 NPT)

The above items will allow for connection to a water circulator. The water circulator can be located underneath the work surface of the cabinet or next to the cabinet on the floor.

3: Safety Precautions

Before unpacking, installing, operating, maintaining, or servicing this equipment, read the following safety warnings and precautions.

Avant le déballage, l'installation, le fonctionnement, l'entretien ou la maintenance de cet équipement, lire les avertissements de sécurité et les précautions d'emploi.



CAUTION – See Manual. When this symbol is on the equipment, it indicates a caution that is detailed in this manual.

MISE EN GARDE – Voir le manuel. Lorsque ce symbole est apposé sur l'équipement, il renvoie à une mise en garde détaillée dans ce manuel.

Typographical Conventions



DANGER – An imminently hazardous situation which, if not avoided, will result in death or serious injury.

DANGER – Situation dangereuse imminente qui, si elle n'est pas évitée, peut entraîner la mort ou des blessures graves.



CAUTION – Indicates a potentially hazardous situation which, if not avoided, may result in minor or moderate injury or damage to property.

MISE EN GARDE – Signale une situation potentiellement dangereuse qui, si elle n'est pas évitée, peut provoquer des blessures mineures à modérées ou des dommages matériels.



NOTE – Advice or suggestions to help the process.

REMARQUE – Conseils ou suggestions pour le déroulement du processus.



BURN RISK (HIGH TEMPERATURE) – Air or components that will be very hot. Take care not to touch these defined areas. Failure to avoid these areas may result in moderate to severe injury.

RISQUE DE BRÛLURE (TEMPÉRATURE ÉLEVÉE) – Air ambiant ou composant devenant très chaud. Veiller à ne pas toucher ces zones délimitées. L'absence de précaution pour éviter ces zones peut entraîner des blessures modérées, voire graves.



EXTREME COLD (LOW TEMPERATURE) – Air or components that will be very COLD. Take care not to touch these defined areas. Failure to avoid these areas may result in moderate to severe injury.

FROID INTENSE (TEMPÉRATURE BASSE) – Air ambiant ou composant devenant très froid. Veiller à ne pas toucher ces zones délimitées. L'absence de précaution pour éviter ces zones peut entraîner des blessures modérées voire graves.



PINCH POINT – Areas or components that can pinch or cut. Take care not to touch these defined areas.

POINT DE PINCEMENT – Zones ou composants présentant un risque de pincement ou de coupure. Veiller à ne pas toucher ces zones délimitées.



MOVING PARTS – Areas or components that contain moving parts. Take care not to touch these defined areas.

PIÈCES MOBILES – Zones ou composants contenant des pièces mobiles. Veiller à ne pas toucher ces zones délimitées.



RISK OF ELECTRICAL SHOCK – The specified procedure or area poses a risk of electrical shock. ALWAYS disconnect main power cord or electrical supply before proceeding.

RISQUE DE CHOC ÉLECTRIQUE – La procédure ou la zone spécifiée présente un risque de choc électrique. TOUJOURS débrancher le cordon d'alimentation secteur ou l'alimentation électrique avant toute intervention.



FLAMMABLE / NO SOLVENTS – Do not place flammable liquids or solvents in this product.

INFLAMMABLE / PAS DE SOLVANTS – Ne placez aucun liquid inflammable dans cette produit.



LIFTING HAZARD – Do not lift or move this equipment without assistance.
DANGER DE LEVAGE – Ne pas soulever ou déplacer cet équipement sans assistance.



MAGNETIC FIELD IN USE – Magnets or magnetic field present.
CHAMP MAGNETIQUE UTILISE – Présence d'aimants ou de champ magnétique.



DO NOT TOUCH – Components or areas indicated are sensitive and will suffer damage if touched. Take care not to touch these defined components or areas. Failure to avoid these areas will result in damage to the product.
NE PAS TOUCHER – Les composants ou les zones indiquées sont sensibles et subiront des dégâts s'ils sont touchés. Veiller à ne pas toucher ces composants ou zones délimité(e)s. L'absence de précaution pour éviter ces zones endommagera le produit.



TOOL REQUIRED – Tool required to access specified area.
OUTIL NÉCESSAIRE – Outil nécessaire pour accéder à la zone spécifiée.

General Safety Precautions

Follow all the safety precautions described in this section.



Before removing any panels which require a tool for removal, **ALWAYS** disconnect the main power cord or electrical supply. Failure to remove all electrical power before proceeding will result in moderate to serious injury, death, or damage to property.

Avant le retrait d'un panneau nécessitant l'utilisation d'un outil, **TOUJOURS** débrancher le cordon d'alimentation secteur ou l'alimentation électrique. Le non-respect de la consigne consistant à couper complètement l'alimentation électrique avant toute intervention peut entraîner des blessures graves, la mort ou des dommages matériels.



Never contact moving parts with your person. Failure to avoid moving parts will result in moderate to serious injury, death, or damage to property.

Ne jamais toucher les parties mobiles. Le non-respect de la consigne consistant à éviter les pièces mobiles peut entraîner des blessures graves, la mort ou des dommages matériels.



Never misuse this product. Never disable, override, or otherwise bypass safety guards, panels, switches, sensors or alarms. Doing so will result in moderate to serious injury, death, or damage to this product or property.

Ne jamais utiliser ce produit à mauvais escient. Ne jamais désactiver, annuler ou contourner les capots, panneaux, interrupteurs, capteurs ou alarmes de sécurité. Ceci entraînerait des blessures graves, la mort ou des dommages matériels à ce produit ou à d'autres biens.



If the unit is not operated as specified in this manual it may impair the protection provided by the unit.

Si l'unité n'est pas utilisée comme spécifié dans ce manuel il peut diminuer la protection fournie par l'unité.



Do not position the unit so that it is difficult to operate the main disconnect device.

Ne placez pas l'appareil de sorte qu'il est difficile de faire fonctionner le dispositif principal de déconnexion.



Do not lift or move this equipment without assistance.

Ne pas soulever ou déplacer cet équipement sans assistance.

Safety Precautions for this Product



Electrical outlets in the cabinet are restricted to 5 amps (100-115v) or 3 amps (230v) maximum current.
Prises électriques dans l'armoire sont limitées à 5 (100-115v) o 3 (230v) courant maximum ampères.



Do not use any detachable power cord that is not adequately rated for the unit.
Ne pas utiliser un fil électrique amovible qui n'est pas du tension nominale de l'appareil.

The biosafety cabinet should be certified by a certification technician before its initial use. The cabinet should be recertified whenever it is relocated, serviced or at least annually thereafter. Filter integrity and airflow performance should be verified before using the cabinet.



Some internal components of the biosafety cabinet may become contaminated during operation of the unit. Only experienced personnel competent in decontamination procedures should decontaminate the cabinet before servicing these components. If you have any questions regarding certification agencies, or need assistance in locating one, contact Labconco's Product Service Department at 800-821-5525 or 816-333-8811.

DO NOT load more than 50 lbs. (23 Kg) in the work area. Exceeding this limit may damage the work surface and its supports. Excessive weight in the cabinet may increase the risk of it overturning, or failure of hydraulic lift stands, resulting in the cabinet and stand overturning. If your application requires loading more than 50 lbs., contact Labconco's Product Service Department at 800-821-5525 or 816-333-8811 for assistance.



Avoid the use of flammable gases or solvents in the biosafety cabinet. Care must be taken to ensure against the concentration of flammable or explosive gases or vapors. An open flame should NOT be used in the biosafety cabinet. Open flames will disrupt airflow patterns, burn the HEPA filter and/or damage the filter's adhesive. Gases under high pressure should not be used in the biosafety cabinet, as they may disrupt its airflow patterns.

HEPA filters only remove particulate matter. Operations generating volatile toxic chemicals or radionuclides must be evaluated carefully.



The media of HEPA filters is fragile and should not be touched. Avoid puncturing either HEPA filter during installation or normal operation. If you suspect that a HEPA filter has been damaged, DO NOT use the cabinet; contact a local certification agency or Labconco at 800-821-5525 or 816-333-8811 for re-certification information.

The HEPA filters in the biosafety cabinet will gradually accumulate airborne particulate matter from the room and from work performed in the cabinet. The rate of accumulation will depend upon the cleanliness of the room air, operating time and the nature of work being done in the cabinet. The Filter Gauge accurately displays the amount of filter life remaining.

Proper operation of the cabinet depends largely upon its location and the operator's work habits. Consult [Section 4: Installation](#) and [Section 7: Using Your Cell Logic+ Type A2](#) for further details.

Avoid direct exposure of plastic or coated materials to ultraviolet (UV) radiation. Never bypass the UV safety interlock that only allows the UV light to work when the sash is closed. When surface disinfecting the biosafety cabinet:

- Avoid splashing the disinfecting solution on skin or clothing.
- Ensure adequate ventilation.
- Carefully follow the disinfectant's safety instructions.
- Always dispose of disinfecting solutions in accordance with local and national laws.
- DO NOT allow disinfectants with high concentrations of free chlorine to contact the stainless steel components of the biosafety cabinet for a long period of time. Free chlorine will corrode stainless steel after extended contact.



Biosafety cabinets should be decontaminated for any of the following reasons:

- Before maintenance work requiring entry into contaminated areas.
- Before HEPA filter changes.
- Before performing certification tests requiring entry into contaminated areas.
- Before relocating the cabinet.
- Before changing research programs.
- After the gross spill of biohazardous material or toxic chemicals.

4: Installation

With the installation site properly prepared, you are ready to unpack and install the equipment. This section covers how to:

- Unpack and move the product
- Install the product
- Connect electrical service
- Connect service utilities
- Connect to an exhaust system (optional)
- Arrange certification for the product
- Install the microscope (optional with Scope-Ready package only)
- Install the circulator (optional with Temp-Zone package only)



A quick reference Installation Guide is located on the front sash glass (see Figure 4-2)

Unpacking



The following tools are required to unpack the equipment:

- Box knife
- #2 Phillips screwdriver
- Two ½” wrenches
- Pliers
- Carpenter’s level



The following safety precautions must be followed by all personnel unpacking the equipment.

- Wear safety glasses and gloves
- No loose fitting clothes
- Wear close-toed shoes
- Follow safe-lifting practices (do NOT attempt to lift this product without specialized lifting equipment certified to lift up to 1000 lbs.)

Step 1

Carefully remove the outer carton and inspect the product for damage that may have occurred in transit. If the product is damaged, take pictures of the product and the outer packaging, and notify the delivery carrier immediately. Retain the entire shipment, including outer packaging, intact for inspection by the carrier.



Note: United States Interstate Commerce Commission rules require that claims be filed with the delivery carrier within fifteen (15) days of delivery.

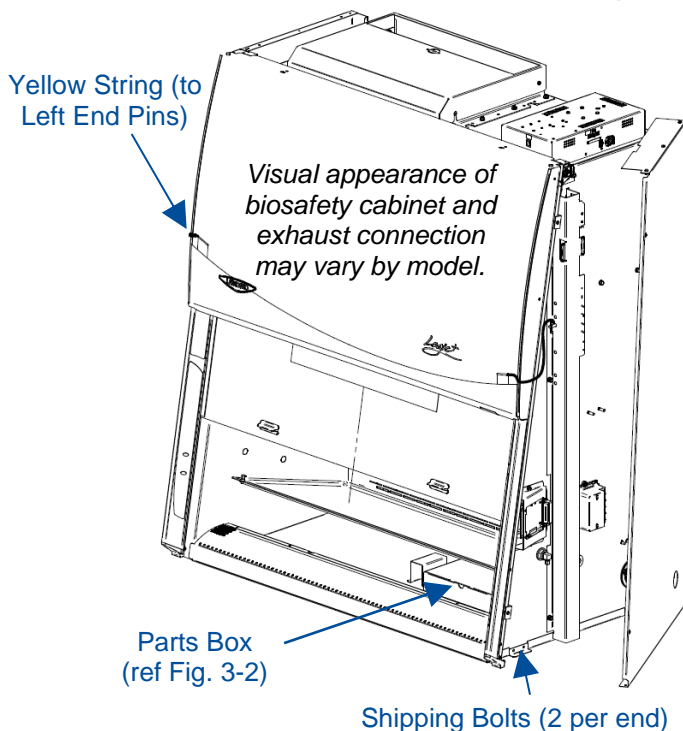
Do not return goods without the prior authorization of Labconco. Unauthorized returns will not be accepted.

If the product was damaged in transit, you must file a claim directly with the freight carrier. Labconco Corporation and its dealers are not responsible for shipping damages.

Do not discard the carton or packing material for the product until all of the components have been checked, installed and tested.

The product is secured to the pallet in two places on each side. To access the nuts and bolts holding the product to the pallet, remove the side panels by removing and keeping the two Phillips screws on both panels. Swing the front of each panel away from the cabinet, and lift it straight up to remove the panel from the cabinet. See Figure 4-1.

Figure 4-1



The side panels must be removed to access the fasteners that secure the biosafety cabinet to the pallet. **DO NOT attempt to lift the biosafety cabinet by the side panels; damage will occur.**

Step 2 – Installation on an Existing Work Surface

Move the cabinet, attached to its pallet, by using a floor jack, or a furniture dolly underneath the unit. **DO NOT** move the cabinet by tilting it onto a hand truck.



When lifting the cabinet **DO NOT** lift the cabinet in the middle front area of the hull. Lifting here may bend or distort the bottom of the cabinet, causing damage to the unit.



Note: The cabinet is very top heavy. Use caution when lifting or moving it.

When installing the cabinet onto an existing work surface or benchtop, ensure that the structure can safely support the combined weight of the cabinet and any related equipment. The work surface should be at least as wide as the cabinet and 31 inches (787 mm) deep to properly support the unit. A hole or notch may be cut in the supporting surface in the right front corner to accommodate the optional drain valve.

Step 2 – Installation on a Labconco Base Stand

Move the cabinet, attached to its pallet, by using a floor jack, or a furniture dolly underneath the unit. **DO NOT** move the cabinet by tilting it onto a hand truck.



When lifting the cabinet **DO NOT** lift the cabinet in the middle front area of the hull. Lifting here may bend or distort the bottom of the cabinet, causing damage to the unit.



Note: The cabinet is very top heavy. Use caution when lifting or moving it.

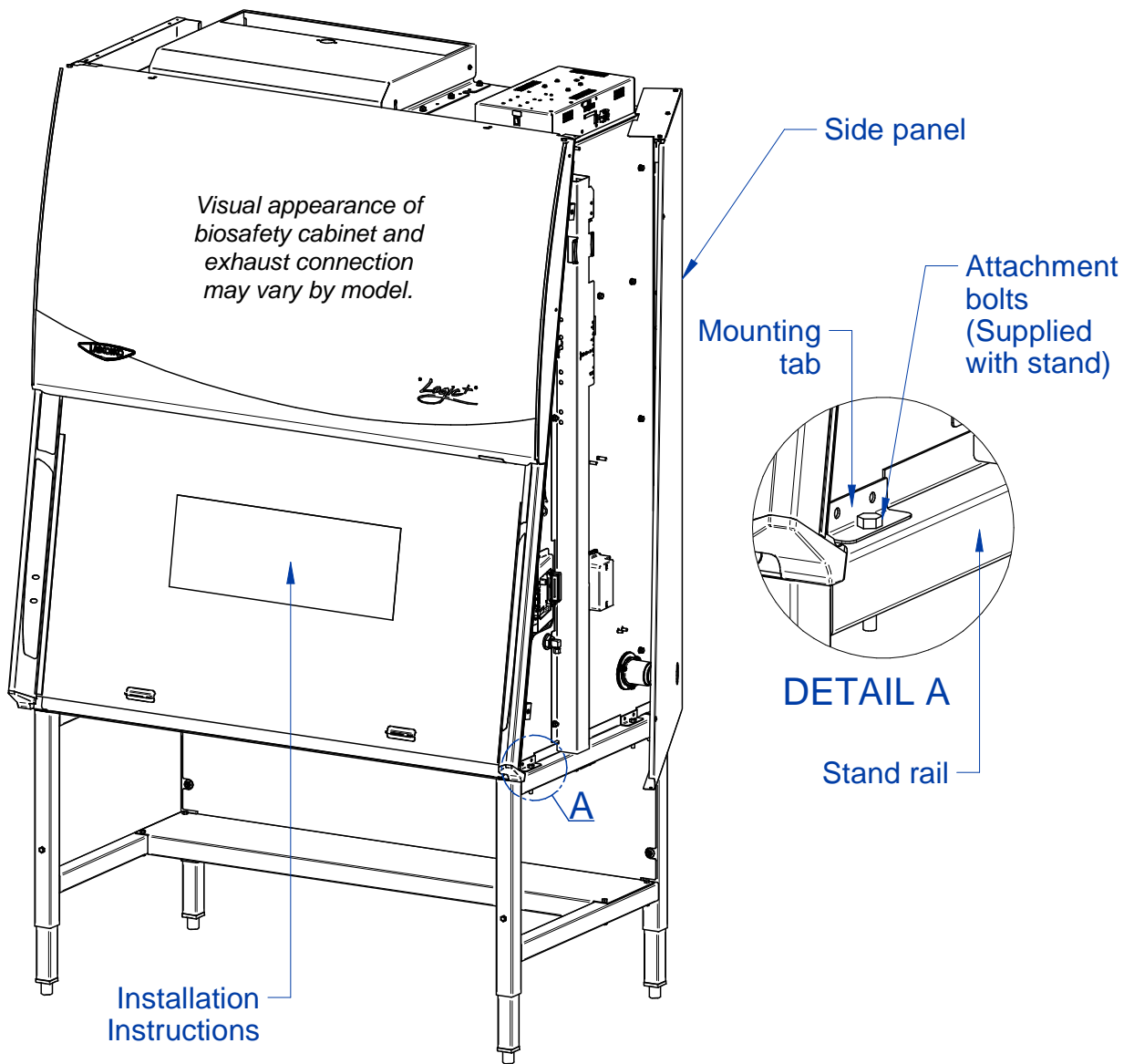
Labconco offers accessory base stands in a variety of configurations to suit your particular needs. If assembly of the base stand is required, the assembly instructions are packaged with the base stand.

Using a mechanical lift, raise the cabinet.

Before setting the cabinet onto the stand, using the four attachment bolts supplied with the stand, align the mounting tab holes on the cabinet with the four holes on the stand's top rail. Drop each bolt through the mounting tab hole and into each hole on the stand's top rail. Carefully lower the cabinet onto the stand. See Figure 4-2.

After the cabinet is in place, remove each attachment bolt, and flip it over to install it up through the stand's top rail, and add the associated washers and nut. Tighten each bolt.

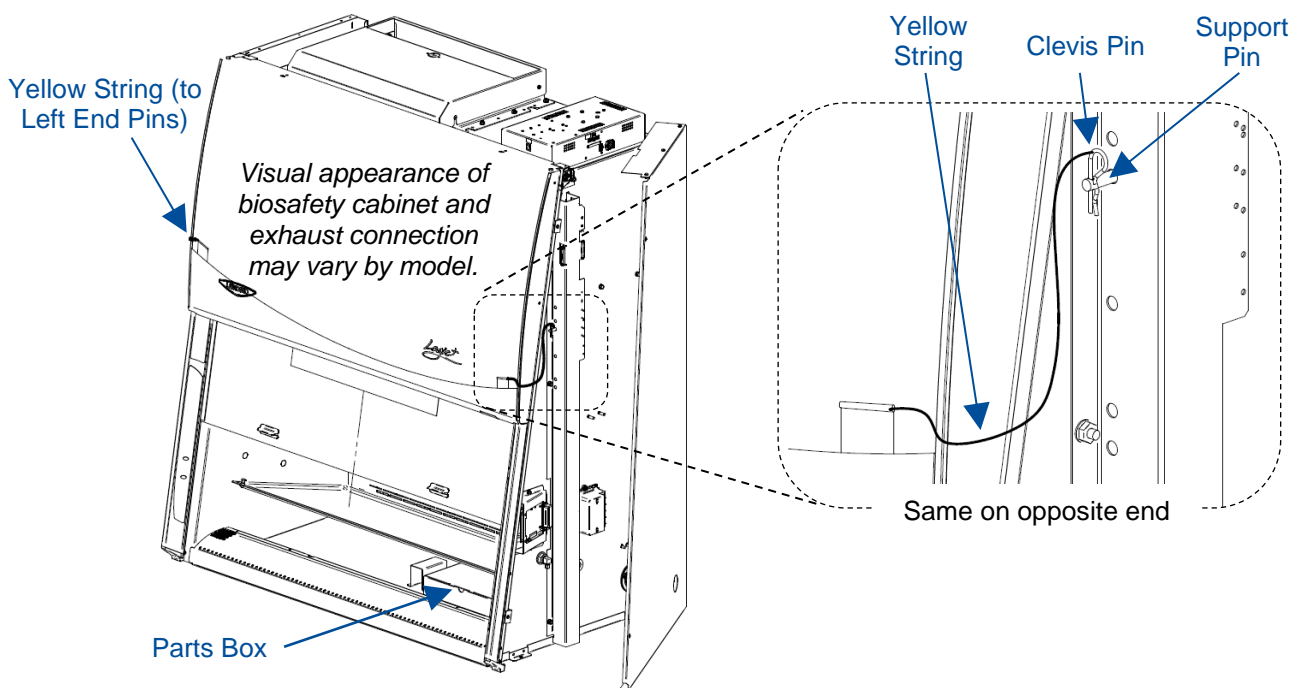
Figure 4-2



Step 3

The front sash will not slide open yet. The sash counterweights are pinned for shipment. The Side Panels must still be removed or hinged open for this step. Locate the Support Pin and Clevis Pin on each sash counterweight. See Figure 4-3. For convenience a yellow tag and string are provided. Locate each yellow tag on the front of the product, and follow the yellow string to each Clevis Pin. Remove the Clevis Pin (also referred to as a Cotter Pin), then pull the Support Pin toward the rear of the product until it is free. You will hear the counterweight drop a short distance when the Support Pin is removed. Discard the Tags, String, and Pins.

Figure 4-3



Replace or close each Side Panel and secure the panels with two screws per panel.

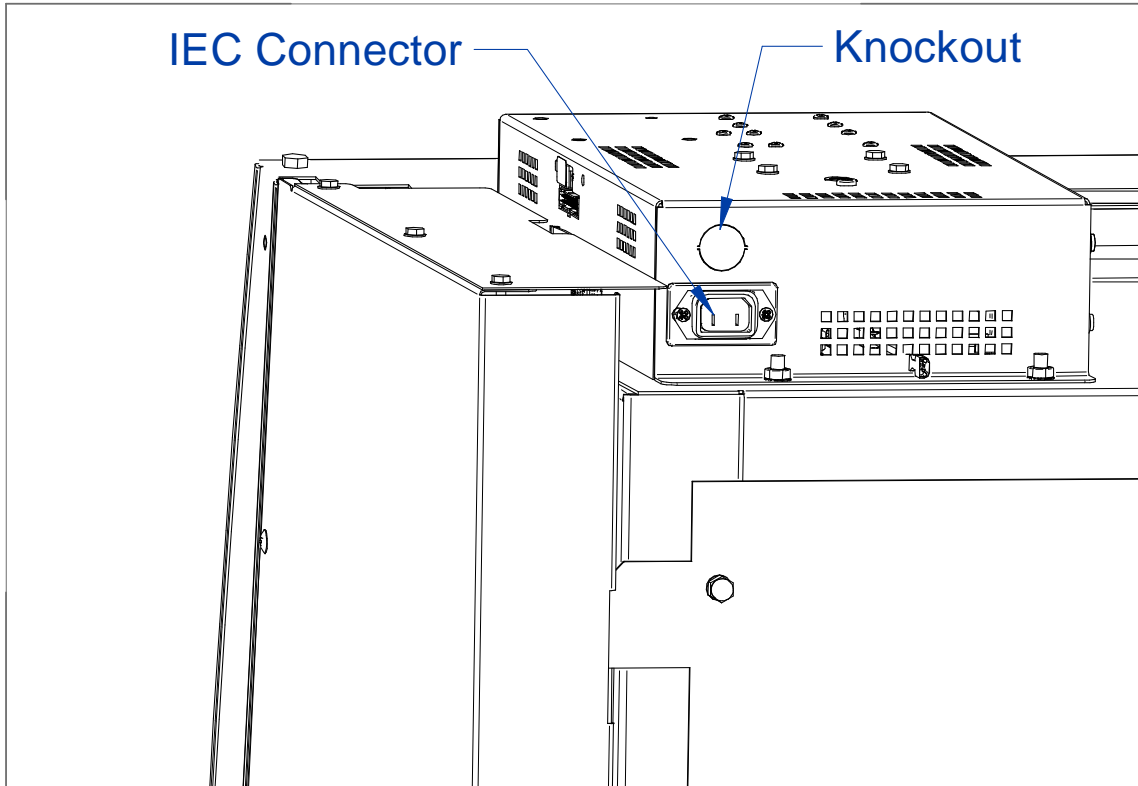
Raise the front sash. Lift the front edge of the stainless steel work surface, locate and retrieve the Parts Box. See Figure 4-3. The following items are located inside this box.

- User's manual thumb drive
- Drain valve assembly and fasteners
- Power cord
- Vacu-Pass™ accessory plug (if option package ordered)

Electrical Connection

The product's power cord is located in the Parts Box removed in the final step of Unpacking (previous section). Connect the IEC end of the power cord to the IEC connector located on the rear side of the top electrical box. See Figure 4-4. Connect the plug end of the power cord into an appropriately rated outlet (see Electrical Requirements in [Section 2: Before You Install](#)).

Figure 4-4



A knockout is also provided in the electrical box to allow for direct wiring of the product. Do NOT attempt to connect power via the knockout or otherwise directly wire the product without consulting your local codes and regulations, and it is highly recommended to utilize a licensed electrician to make this wiring connection. The wiring must meet the minimum gauge requirement for the current specified in [Section 2: Before You Install](#) listed under Electrical Requirements, and must be a dedicated wiring run to a circuit breaker appropriately rated for this product's electrical requirements.

Service Line Connection

Service fixtures are not pre-installed on all models. If your model does not include a service fixture, this step may be skipped. A service fixture can be field installed at any time, the service fixture kit will contain instructions for installing the fixture. Follow the instructions below to make the plumbing connection to the service fixture.



Safe for use with vacuum, air, carbon dioxide, nitrogen, and argon. Not for use with water, steam or high purity gasses like oxygen and hydrogen. Contact Labconco for additional valve options.



Note: Some models have a solenoid valve connected to the service valve on the right side, rear position. The solenoid prevents gas from flowing to the service valve when the cabinet's blower is off, or there is a loss of electrical power. It is the only service valve position that can be fitted with a solenoid valve. Connect the gas service to the solenoid valve.

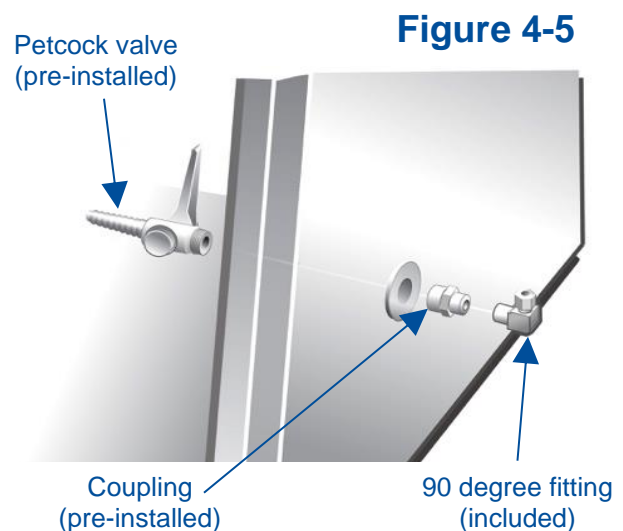
The incoming service line(s) should be connected to the tube compression fitting(s) on the outside of the liner wall as shown in Figure 4-5. Open the side panel, then:

1. Ensure that the tubing is $\frac{1}{4}$ inch O.D., soft metal, and that the end has been completely deburred.
2. Route the tubing from the rear of the cabinet, ensuring that it will line up with the slot in the back of the side panel. The slot is located from $8\frac{3}{4}$ to $11\frac{1}{4}$ inches (222 to 288 mm) from the bottom of the cabinet.



Note: Make sure that the tube routing will not contact any electrical wires. DO NOT loop service line tubing within the side panels of the cabinet.

3. Make sure that the nut on the 90 degree tube fitting is loose, but do not remove it. Make sure the tube ferrule is in the fitting.
4. Push the tube into the fitting until it is properly seated. The tube will go approximately $\frac{3}{4}$ inch (19 mm) into the fitting.
5. Tighten the tube fitting nut hand tight and then, using a $\frac{7}{16}$ -inch wrench, tighten it at least $\frac{3}{4}$ turn more.
6. Close the service valve in the cabinet and then slowly open the shutoff valve on the service valve. Test all fittings for leakage. Tighten the tube nut slightly if needed.



Drain Valve Installation (Optional)

A drain valve assembly is provided in the Parts Box. The drain allows for removal of large amounts of liquid trapped in the area underneath the work surface. The installation of the drain valve is not required. If not installing the drain valve, this section may be skipped.



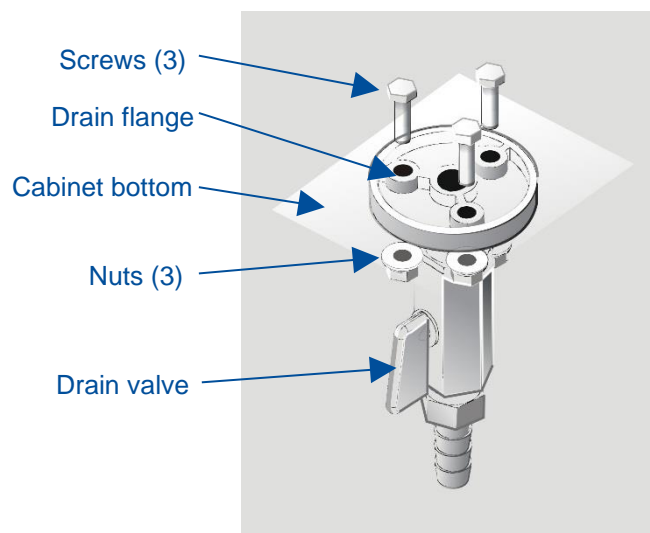
Note: The work surface is heavy. Use caution when handling it.

1. Lift and remove the work surface by lifting on the knobs at the front of the work surface. Locate the cover sealed over the drain mounting holes.
2. Using a putty knife, remove and discard the stainless steel cover that is sealed over the drain mounting holes. Scrape out remaining sealant around the holes.

NOTE: The drain valve assembly attaches to the underside of the cabinet bottom.

3. Apply a light coating of silicone sealant (not provided) to the mounting surface of the drain flange. Attach the drain flange under the bottom of the cabinet as shown in Figure 4-7. Wipe off any excess sealant from the cabinet bottom. Ensure that the center drain hole is unobstructed.
4. Secure the drain assembly with the hardware provided. Tighten all hardware.
5. Make sure the drain valve is in the closed position.
6. Reinstall the work surface.
7. Allow the silicone sealant to cure for at least eight hours before exposing it to liquid.

Figure 4-7



Exhaust Connection

Certain applications such as working with odorous products or volatile toxic materials will require the connection of the unit to an exhaust system.



Note: The canopy connection, also referred to as a thimble or air gap connection, allows single or multiple biohazard cabinets to be connected to an exhaust system. During operation, the exhaust system draws all of the cabinet's exhaust air, plus a volume of room air (through the vent in the canopy) into the exhaust duct. Canopy connections function as a "shock absorber" allowing the system to function properly during changes in room air pressure.

For information on selecting a canopy connection, go to [Section 9: Accessories](#).



Note: If the research involves the use of toxic compounds or volatile materials, contact the facility's safety officer or Labconco to ensure that the cabinet and its exhaust system are compatible with the materials you will be working with.

Microscope Installation (optional)

In order to successfully install a user-supplied microscope in a Cell Logic+ biosafety cabinet with Scope-Ready package, please follow the steps below and refer to Figure 4-8 as well as [Appendix E](#).



Note: The work surface is heavy. Use caution when handling it.

1. Before installing a microscope, locate the Stand-Still Isolation Platform that is packaged in a separate carton underneath the work surface. **Note:** Stereoscopes will typically require the Stand-Still XL Isolation Platform; more information can be found at labconco.com.
2. Install the Stand Still Isolation Platform so that the leading edge is in line with the work surface leading edge. See [Appendix E](#) for typical pictures of proper set-up of the Stand-Still Isolation Platform.
3. With the sash in the up position, place a user-supplied microscope inside and on top of the Stand-Still Isolation Platform. Remove the microscope eyepieces.
4. The Cell Logic+ biosafety cabinet with Scope-Ready Package includes one Pure-Vu Seal that requires 0.5" (12.7 mm) diameter holes spaced approximately 2.75" (69.9 mm) apart and located from the base of the microscope to the centerline of the eyepiece. The eyepiece holes can be cut with the 0.5" (12.7 mm) diameter hole Punch Kit (Catalog Number 4027801) supplied with your cabinet.

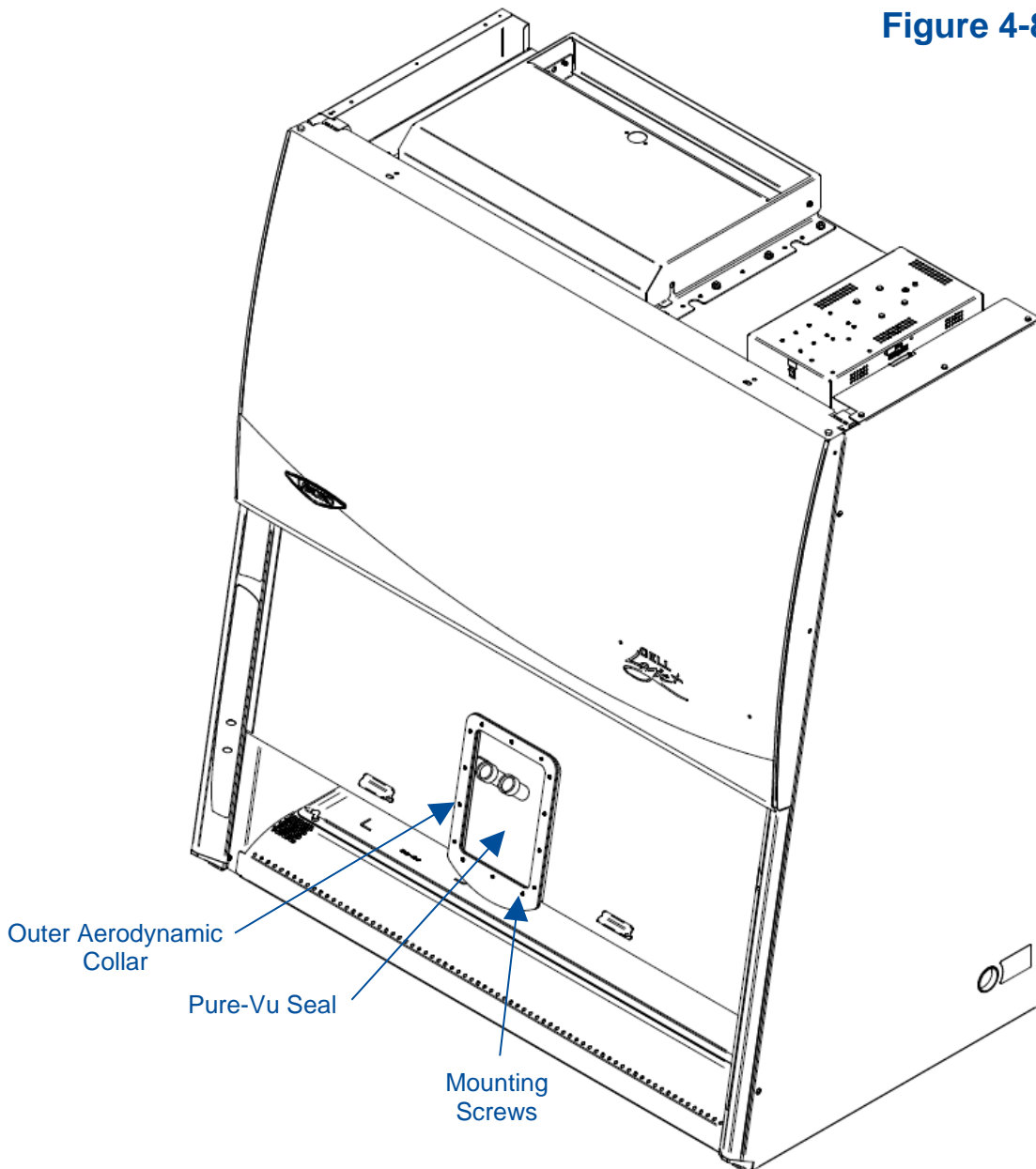


For your convenience, pre-cut accessory Pure-Vu Seals can be found at labconco.com, and may be an easier installation.

5. If punching the 0.5" (12.7 mm) diameter holes, with the microscope eyepieces removed line up the centerline of the eyepiece base with the seal. Then mark the centerline of each eyepiece hole spaced at approximately 2.75" (69.9 mm).

6. Remove the 14 screws (#6-32 x 0.25") that retain the Pure-Vu Seal.
7. Either reinstall one of the pre-cut accessory Pure-Vu Seals from [Section 9](#) or punch the holes in the blank seal supplied and then re-install the seal. For your convenience, see [Appendix E](#) for installation of pleated Pure-Vu XL Seals used with stereoscopes requiring frequent eyepiece height adjustment of +/- 2.0" (51 mm).
8. After the seal is re-installed, then move the microscope forward to carefully stretch the Pure-Vu Seal over both of the microscope eyepiece bases.
9. Finally, re-install the microscope eyepieces.
10. The Pure-Vu Seal should now provide an optimum seal for safe airflow and ergonomic visibility.

Figure 4-8



Circulator Installation (optional)

In order to successfully install a user-supplied circulator on a Cell Logic+ Biosafety Cabinet with Temp-Zone package please follow the steps below and refer to Figure 4-9:



Note: The work surface is heavy and two Easy-Clean™ Prop Rods are provided to pivot and support the Temp-Zone work area and the work surface.

1. The Temp-Zone work area has supply and return lines for the user-supplied circulator. Refer to Figure 4-9 and locate the two quick connect elbows on the left side of the cabinet behind the left side panel.
2. Find a suitable place next to the cabinet or underneath the cabinet to place the circulator. Accessory shelves for small circulators are available from labconco.com. Larger circulators should be placed on the floor.
3. Pivot the work surface up and use the Easy-Clean Prop Rods to support the work surface. Then locate the tubing, insulation, and quick connect fittings shipped with your Cell Logic+. The tubing is 3/8" OD (9.5 mm) and tube inserts must be placed inside the tubing to properly support the tubing inside the quick connect fitting. 20 feet (6.1 meters) of tubing length is provided for your convenience.

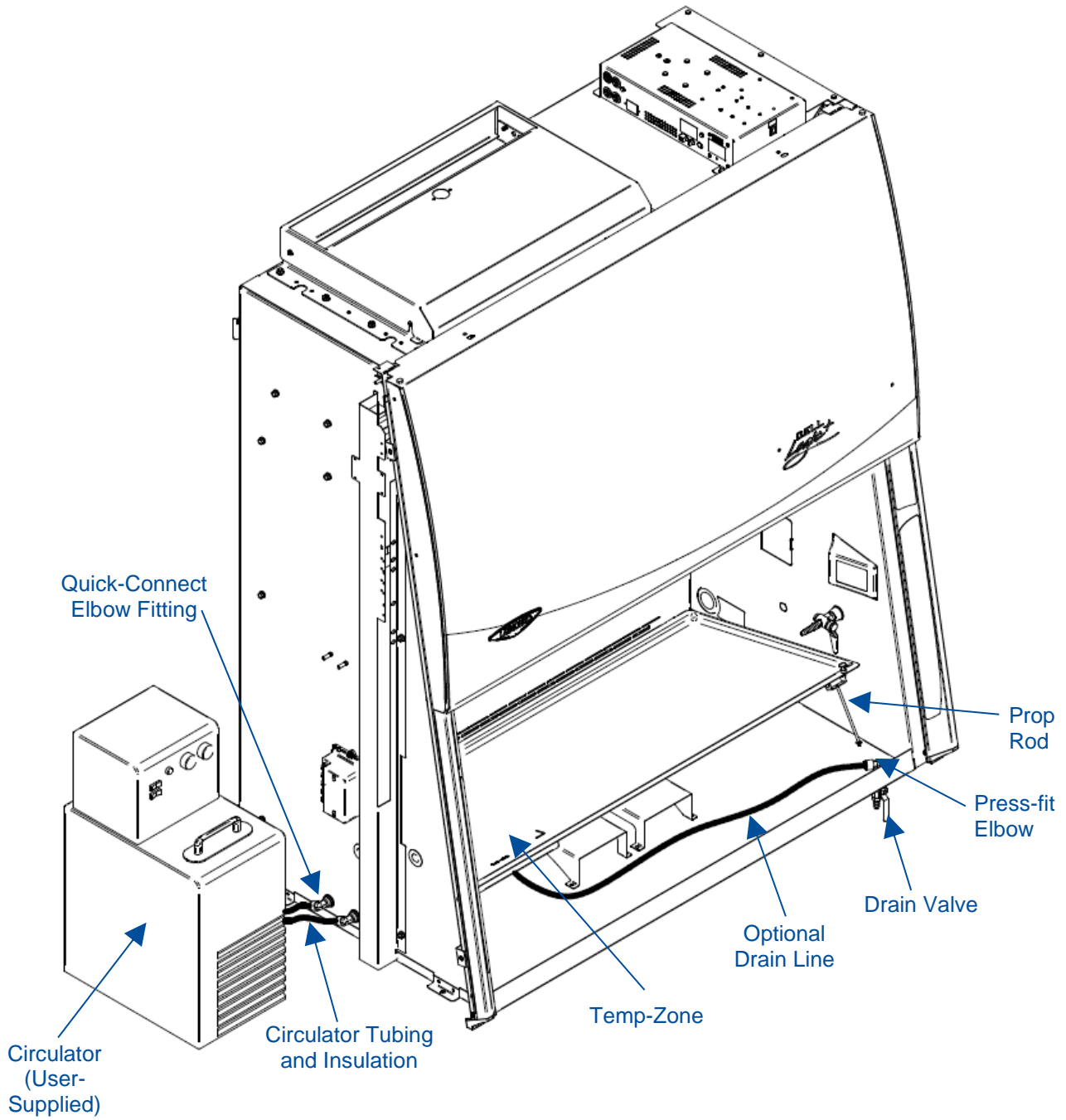


Note: The tube inserts prevent the tubing from collapsing at connection points and must be used.

4. Plan, route and cut the tubing from the two elbows on the left side of the cabinet to the circulator.
5. Locate the quick connect fittings (3/8" tube x 1/8 NPT, 3/8" tube x 1/4 NPT, and 3/8" tube x 3/8 NPT) and install the appropriate fittings to the user-supplied circulator with appropriate pipe sealant or PTFE tape.
6. Place tube inserts in all ends of the cut-to-size tubing.
7. Cut and install the insulation around the cut tubing lengths.
8. Insert cut tubing lengths into the elbows on the cabinet and then install both tubing lengths into the circulator to complete the water circulator loop.
9. Read and follow the circulator instructions before operating. The circulator should have a minimum flow rate of 0.5 GPM (1.9 LPM). In all cases, the temperature of the circulator will not equal the temperature of samples on the Temp-Zone. Factors such as the sample vessels, sample sizes, aluminum tube racks, and length of tubing connecting the circulator to the Temp-Zone can influence the sample temperature. Circulator settings to hold heated incubator sample temperatures may require 0.3-2.0°C higher temperatures than the desired sample temperature. Furthermore, circulator settings to maintain chilled refrigerated samples may require 0.3-3.0°C colder temperatures than the desired sample temperature. Experimentation is necessary to achieve proper sample temperatures.
10. For chilled applications, the Temp-Zone work area comes with a drain line installed that can be routed to the cabinet's drain valve, if desired. This Temp-Zone drain line installation is optional for chilled applications should excessive

condensation occur under the work surface. Simply snap in the supplied press-fit elbow to the drain valve shown in Figure 4-9. Follow the diagram to finish the installation.

Figure 4-9



Certification

Prior to use, a qualified certifier should certify a biosafety cabinet. Under normal operating conditions, the cabinet should be recertified at least annually and when relocated or serviced. The certifier should perform the following tests, as recommended in NSF/ANSI Standard Number 49 in effect when the cabinet was manufactured:

- Downflow Velocity Profile Test
- Inflow Velocity Test
- Airflow Smoke Patterns
- HEPA Filter Leak Test
- Optional Canopy Alarm Test and Operation
- Vibration Test *
- Noise Level Test *
- Lighting Intensity Test *

*These tests are user comfort related tests and may be omitted at the user's or certifier's discretion.

If you have any questions regarding certification agencies or help locating one, contact Labconco's Product Service Department at (800) 821-5525 or +1 816-333-8811.

Detailed information for product certification is located in the Logic+ Technical Manual.

5: Performance Features

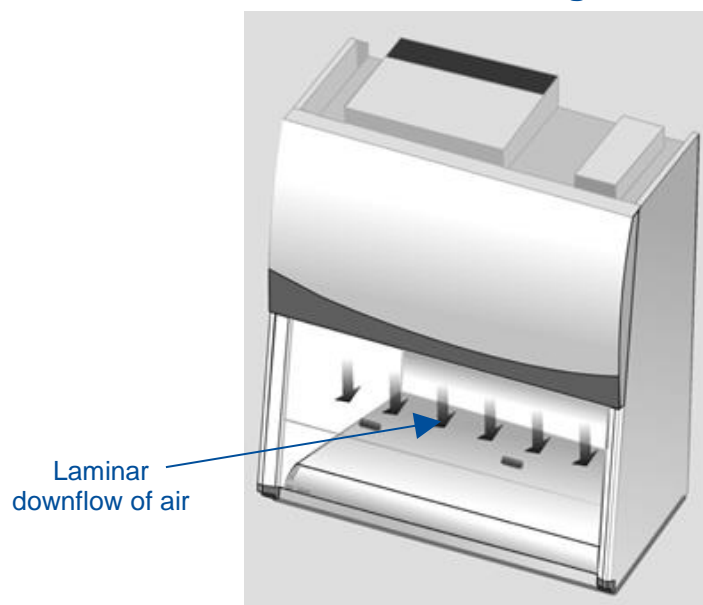
The Cell Logic+ Type A2 biosafety cabinet protects items placed on the work surface, the personnel working with material inside the cabinet, and the lab environment, when operated to manufacturer's specifications and proper aseptic techniques are employed.

This protection is provided through the use of laminar airflow, HEPA filtration, careful cabinet construction, and Constant Airflow Profile™ (CAP) ECM motors. Each of the key performance features are detailed in this section.

Laminar Airflow

Laminar airflow is defined as the movement of a body of air in a single direction, with a uniform velocity. In practice, the laminar downflow of air in the cabinet captures any aerosol generated in the work area of the cabinet, and directs it to the HEPA filters. In order to be true laminar downflow, a number of individual downflow velocity test points, commonly referred to as the Downflow Velocity Profile, must be +/- 16 feet per minute (0.08 m/s) of the average of all the test points.

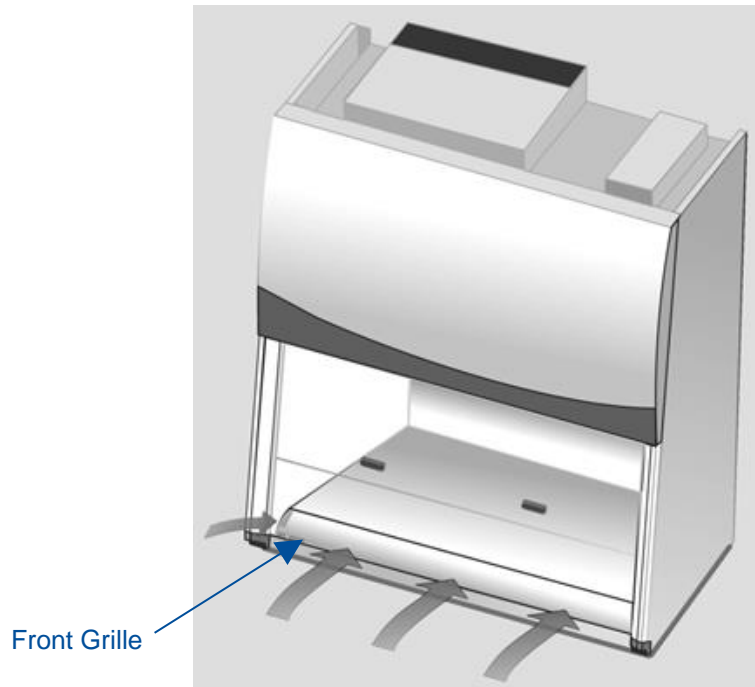
Figure 5-1



Directional Airflow

Directional airflow also plays a key role in cabinet performance. Air is drawn into the front of the cabinet at the front grille. This “curtain” of air makes it more difficult for aerosols to escape out of the work area of the cabinet and into the outside environment. This airflow is often calculated and referred to as the **Inflow Volume** or **Average Inflow Velocity**. This is illustrated in Figure 5-2.

Figure 5-2



Cabinet Air Intake (Front Grille)

The location, size, and pattern of the grille openings in the work area affect cabinet containment and performance. The front grille's airfoil profile, and air intake openings play an important role in establishing Directional Airflow, as described previously. See Figure 5-2.

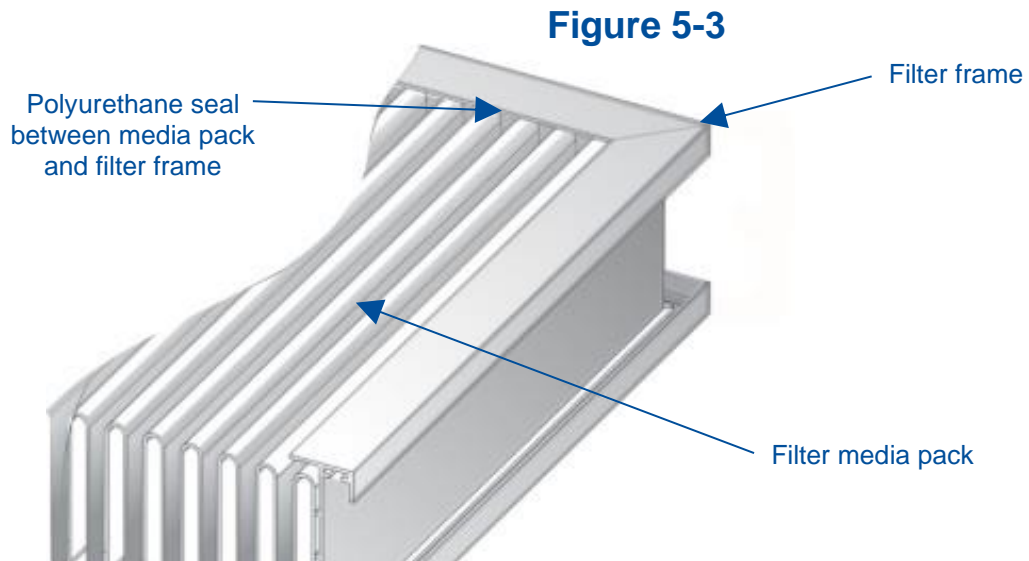


Note: Do not block or obstruct the grille openings of the biosafety cabinet.

HEPA Filters

HEPA filters are disposable, dry-type particulate filters. The filter material or media is typically made of borosilicate microfibers formed into a thin sheet, in a process similar to the production of paper. This sheet is folded, or pleated to increase its surface area. The pleats are typically held in place by beads of glue that add rigidity to the media pack. The pack is then set into a frame, and sealed as shown in Figure 5-3.

The HEPA filter manufacturer establishes the efficiency of the filter by challenging it with an aerosol of known particle size. The number of particles that penetrate the filter are quantified, and this establishes the efficiency of the filter. The HEPA filters used in the biosafety cabinet are at least 99.99% efficient in removing particles 0.3 micron.



Note: The HEPA filter media is very fragile. DO NOT touch the media. If you think the media of a HEPA filter is damaged, DO NOT USE THE CABINET. Have the HEPA filter integrity tested by a certifier before using the cabinet.



Note: HEPA Filters are only effective against particulate material. Gases and vapors will pass through the filter.

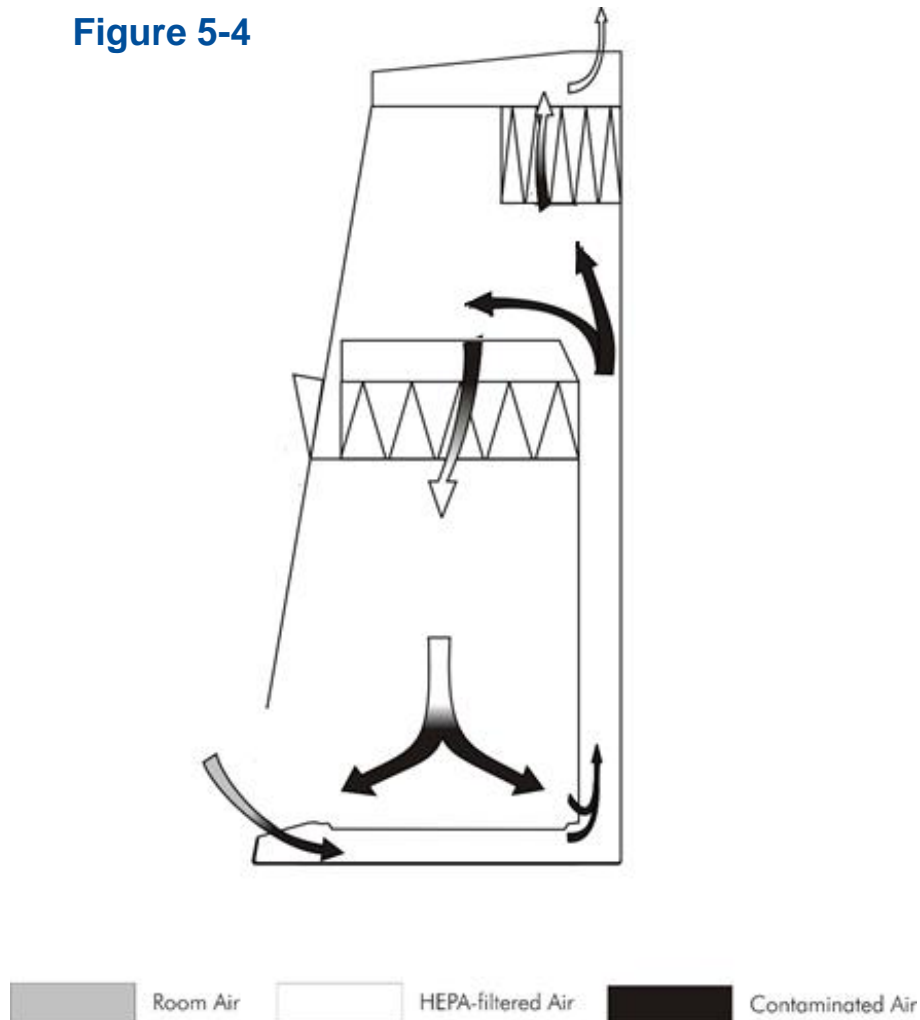
ULPA Filters

Optional ULPA filters may be used to replace the standard HEPA filters in this product. ULPA filters have the same properties as described above except they are rated at least 99.999% efficient in removing particles 0.1-0.2 or 0.2-0.3 micron in size.

Motor/Blower

The motor/blower assembly pulls room air into the front of the cabinet, and re-circulates it internally. During its recirculation, the air is split into two separate streams. One path leads through the exhaust HEPA filter and out of the unit. The second path flows through the supply HEPA filter, which then flows down through the work area, as shown in Figure 5-4. The motor in the cabinet is an electronically commutated motor (ECM). The ECM is a brushless DC motor that includes its own power supply to convert the incoming alternating current to direct current, as well as its own microprocessor to control and measure the motor's operation. The motor utilizes Labconco's exclusive Constant Airflow Profile™ (CAP) program to deliver a consistent volume of air, throughout the life of the cabinet.

Figure 5-4



UV Lamp (optional)

The optional UV lamp generates a primary wavelength of light of 254nm. A secondary emission is in the visible (blue) wavelength, resulting in the characteristic blue color while operating. UV light at this wavelength is biocidal, primarily by creating thymine dimers in DNA. These dimers prevent the correct transcription of the DNA into RNA, resulting in cellular death or viral inactivation. In order to be effective, the UV light must directly strike the nucleic acid, and its effectiveness can be diminished or negated by dissolved proteins or metals, or by other UV-opaque substances protecting the target nucleic acid.

Because of its limitations, UV light should be used as an adjunct to good surface disinfection practices. In order to achieve optimum performance from the UV lamp, it should be replaced after 6,000 hours of operation or less, and the exterior surface of the lamp should be kept clean and free of dust.



Note: The product records the number of hours of operation of the UV light. You can program in the number of hours (in 100-hour increments) it will operate before a replacement message is displayed.



Note: UV irradiation is absorbed by the tempered safety glass of the sash. Independent research has shown that the level of UV irradiation on the outside of the cabinet's sash is equal to background radiation levels.



Note: The UV sensitivity of a target organism varies, depending on the UV output of the lamp, the genus and species of the organism, the medium the agent is suspended in, etc. Contact the Health and Safety Officer at your facility for UV light use and recommendations.

Scope-Ready™ Package (optional)

Models with the Scope-Ready package option allow a user-supplied microscope to be integrated into the safety cabinet. On these models, two features work together to assure containment and reduced vibration:

Pure-Vu™ Seal

The Pure-Vu Seal includes a 7 inch wide x 10.5 inch (267 mm) high sash cutout that accommodates most microscopes' eyepieces. The clear, disposable eyepiece seal prevents contaminants from escaping while providing ergonomic visibility into the cabinet. The removable seal attaches tightly to an aerodynamic, epoxy-coated steel collar. The unique teardrop shape of the aerodynamic collar design keeps contaminants contained with the microscope in place. The Pure-Vu Seal conforms to both ASHRAE 110 and NSF 49 testing criteria.

Stand-Still™ Isolation Platform

The Stand-Still Isolation Platform supports the microscope on the cabinet's work surface and removes up to 94% of vertical and horizontal vibrations. ASHRAE 110 and NSF 49 testing confirms this unique elevated, aerodynamic base ensures safe airflow.



Constructed of seamless Type 304 stainless steel, the isolation platform is non-porous, easy to clean, and autoclavable. **Important Note:** Always remove the rubber isolation feet prior to autoclaving. The 12 inch (305 mm) wide x 18.75 inch (476 mm) deep platform accommodates most microscopes. See [Section 9: Accessories](#) for ordering an extended Stand-Still XL Isolation Platform for use with microscope bases that extend over the front of the lower work surface.

Temp-Zone™ Package (optional)

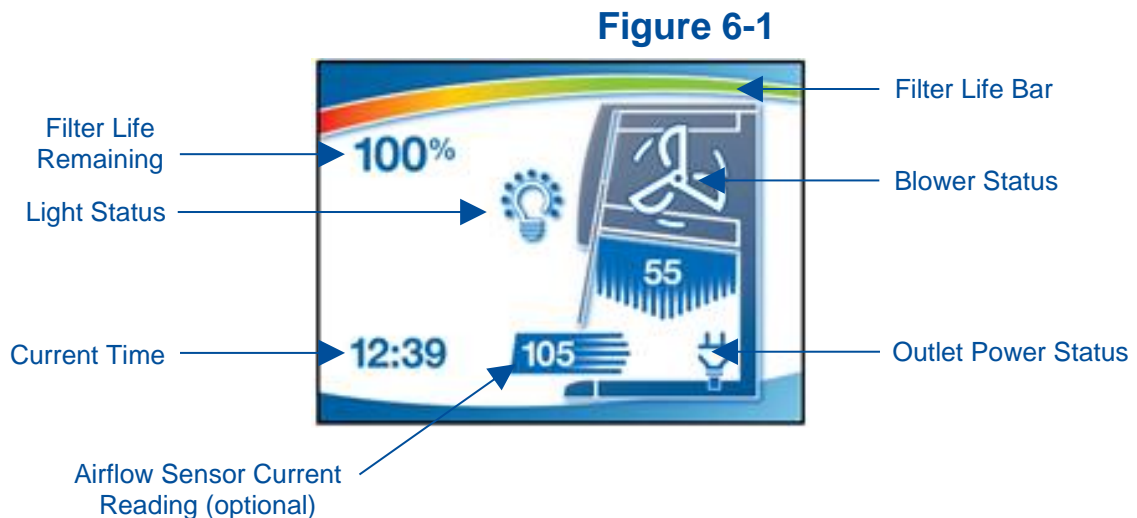
Models with the Temp-Zone package option include a temperature-controlled area 10.5 inch (267 mm) wide x 12 inch (305 mm) deep. Note: the temperature-controlled area is 7 inch (178 mm) wide x 12 inch (305 mm) deep on 3 foot models. Samples heated in an incubator or chilled in a refrigerator may be transferred to the Temp-Zone and kept at optimum temperature. Quick connection fittings on the left side of the cabinet attach to a user-supplied circulator that continually delivers heated or chilled water through channels located underneath the Temp-Zone area of the work surface. Uniform temperature distribution is maintained on the Temp-Zone area of the work surface.

6: MyLogic™ Operating System

The Cell Logic+ Type A2 biosafety cabinet features the MyLogic operating system, which provides clear status information on the LCD display and user control with the keypad (Figures 6-1 & 6-3). Read this section along with [Section 7: Using Your Cell Logic+ Type A2](#) to fully understand the features and controls of this product.

Home Screen

The Home Screen will display the following information (Figure 6-1).



When the glass sash is closed, the blower and light icons may change as follows:



Blower Status = Reduced Speed
(NightSmart Enabled)



Light Status = UV Light ON

27

← UV Countdown Timer (minutes)

Display Sleep Mode

The LCD display will enter sleep mode when the blower is off (Figure 6-2). If the blower is not turned on, and no keys are pressed on the keypad, after 5 minutes the screen will automatically turn off to relax the LCD display, which extends its life. When the display transitions from sleep mode to off, the screen will appear black. Any key press will wake the screen and return to the Home Screen.

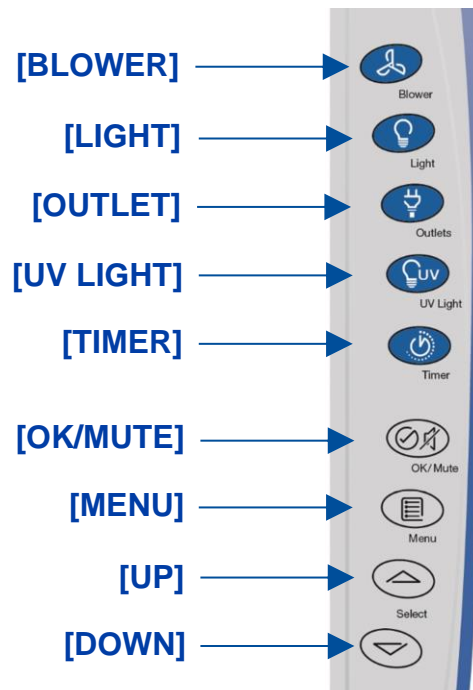
Figure 6-2



Keypad

The Keypad button functions are explained in detail in [Section 7: Using Your Cell Logic+ Type A2](#), under the subsection Keypad. A summary description is provided here with Figure 6-3.

Figure 6-3

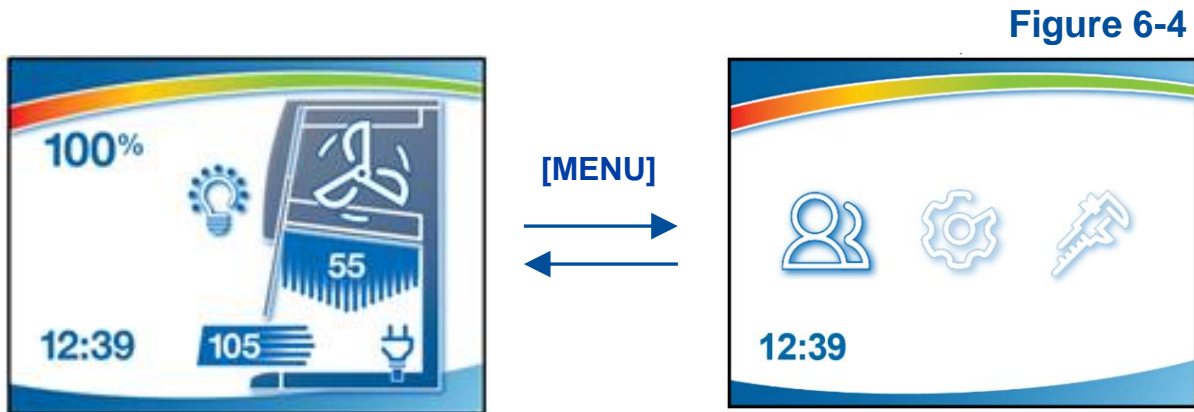


Main Menu

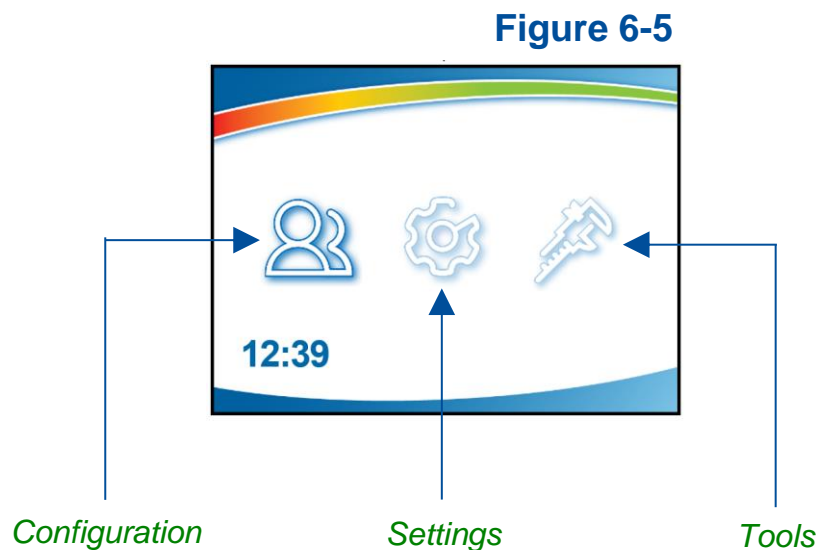


Keypad button presses are shown as **[BLUE WITH BRACKETS]**. Menu screen selections are shown as *green italics*.

To access the Main Menu from the Home Screen, press **[MENU]** on the keypad. See Figure 6-4. The display will change to the Main Menu. To return to the Home Screen, press **[MENU]**.



The Main Menu displays three submenu options, as shown in Figure 6-5. To select from the various submenu options, press the **[UP]** or **[DOWN]** buttons until the selected option is highlighted. Press **[OK/MUTE]** to accept that option, or press **[MENU]** to return to the Home Screen.



Configuration Submenu



Keypad button presses are shown as **[BLUE WITH BRACKETS]**. Menu screen selections are shown as *green italics*.

This submenu allows you to set preferences for audible tones, set the language, set the clock, and configure how the unit operates when the sash is opened or closed (SmartStart™ / NightSmart™).

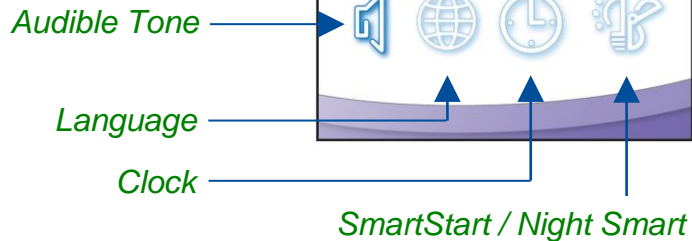


Figure 6-6

Audible Tones

When enabled, an audible tone will sound during cabinet power up. This also enables or disables audible tones from the keypad (any button press).



Audible tones associated with alarms cannot be muted.



Figure 6-7

Selecting a Language

[UP] and **[DOWN]** will move among the selectable language options. When the desired language is highlighted, press **[OK/MUTE]**. Language options:

<i>English</i>	<i>Spanish</i>
<i>French</i>	<i>Italian</i>
<i>German</i>	<i>Portuguese</i>
<i>Chinese</i>	<i>Japanese</i>



Figure 6-8

Setting the Clock

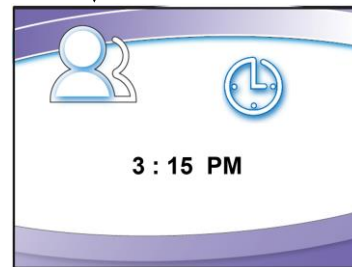
Select either *12 Hour* (AM/PM) format or *24 Hour* format.

Figure 6-9



[OK/MUTE]

Figure 6-10



The selected field (*Hours* or *Minutes*) flashes, set the current time using [UP] and [DOWN]. *Hours* will flash first, once correct, use [OK/MUTE] to switch to *Minutes*. Holding [UP] and [DOWN] in the *Minutes* field will fast scroll.

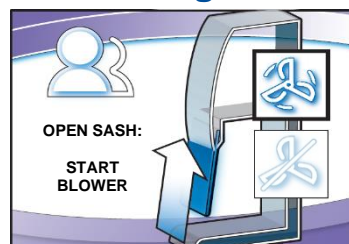
Note: AM or PM will not show if *24 Hour* format selected.

Setting Automatic Operation Options (Nightsmart™ / SmartStart™)

The cabinet allows configuration to activate functions automatically when the sash is opened or closed. The following screens will display sequentially with **[OK/Mute]**.

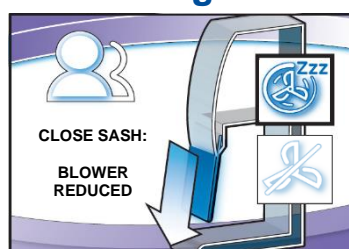
The first screen provides the option of activating the blower; if you want the cabinet blower to start every time you raise the sash, select *Blower On*, and then **[OK/Mute]**. If *Blower Off* is selected, the blower must be manually started from the keypad. When **[OK/Mute]** is pressed, the next configuration screen will appear.

Figure 6-11



If you want the cabinet blower to run slowly, maintaining reduced airflows every time you close the sash, select *Reduced Speed* and then **[OK/Mute]**. If *Blower Off* is selected, the blower will stop when the sash is closed. When **[OK/Mute]** is pressed, the next configuration screen will appear.

Figure 6-12



If you want the cabinet lights to turn on every time the sash is opened, select *Light On*, and then **[OK/Mute]**. If *Light Off* is selected, the lights must be manually illuminated from the keypad. When **[OK/Mute]** is pressed, the next configuration screen will appear if the cabinet is configured for a UV lamp.

Figure 6-13



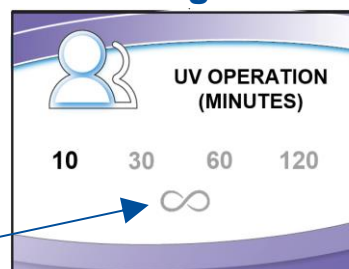
If your Cabinet is configured for a UV light, you will see Fig. 6-14 and 6-15. If you want the UV lamp to turn on every time the sash is closed, select *UV Light On*, and press **[OK/Mute]**. If *UV Light Off* is selected, the UV light will not turn on when the sash is closed. When **[OK/Mute]** is pressed, the final configuration screen will appear.

Figure 6-14



Whether the UV Light is initiated from the **[UV Light]** button on the keypad, or automatically initiated upon closing of the sash, this screen controls the time the UV lamp will remain on. Select the length of time desired, press **[OK/Mute]**.

Figure 6-15



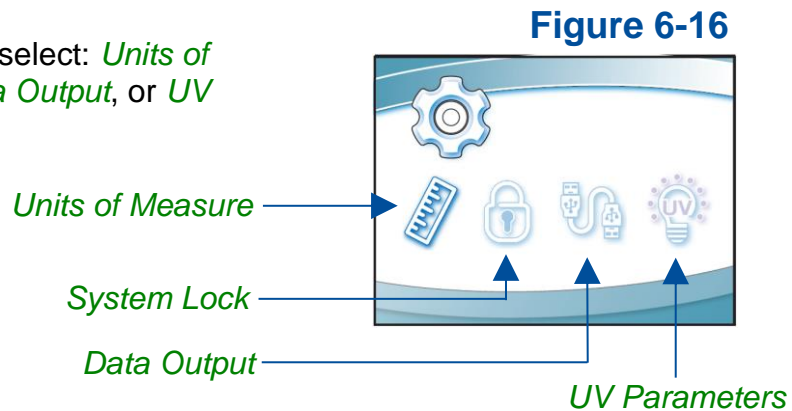
Continuous On

Navigating the Settings Submenu



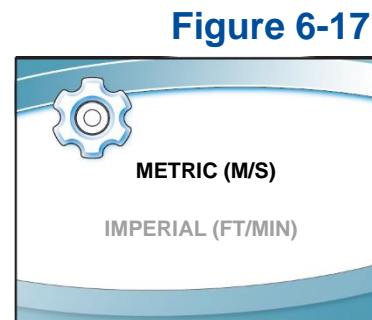
Keypad button presses are shown as **[BLUE WITH BRACKETS]**. Menu screen selections are shown as *green italics*.

This submenu allows you to select: *Units of Measure*, *System Lock*, *Data Output*, or *UV Parameters*.



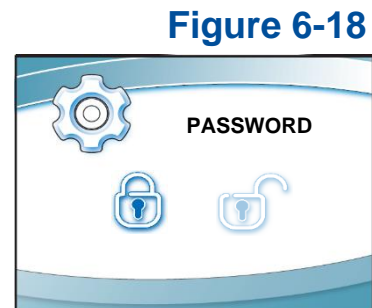
Selecting the Units of Measure

If your cabinet is equipped with an airflow sensor, the units of measure can be set for *FT/MIN* (feet per minute) or *M/S* (meters per second). Select the appropriate units of measure, then **[OK/Mute]**.



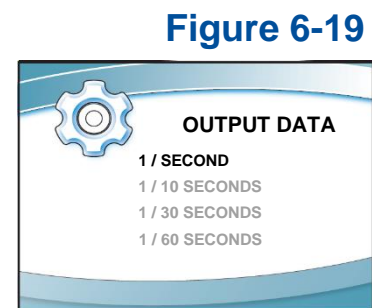
Activating the Security Lock

The Security Lock “locks” the keypad to prevent unauthorized use of the cabinet. To enable / disable select *Protected / Unprotected*, then **[OK/MUTE]**. When enabled, the keypad is locked immediately after the blower is turned off. The security lock is deactivated by holding **[DOWN]** for three seconds. If blower is not turned on within 5 minutes of unlocking, the keypad will relock. The feature remains enabled until it is disabled in this screen.



Setting the USB Output Rate

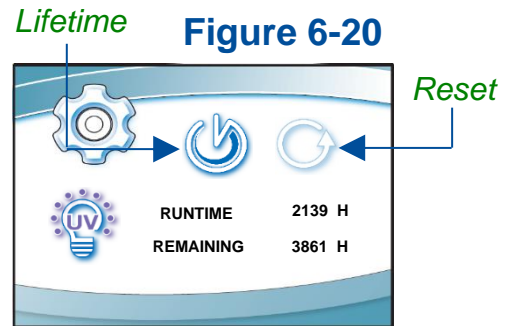
This menu option selects the rate that cabinet status data is exported out of the mini USB port on the side of the top electrical box. Data can output at a rate of *once per second*, *once per 10 seconds*, *once per 30 seconds*, or *once per 60 seconds*. Make the appropriate selection, then **[OK/MUTE]**.



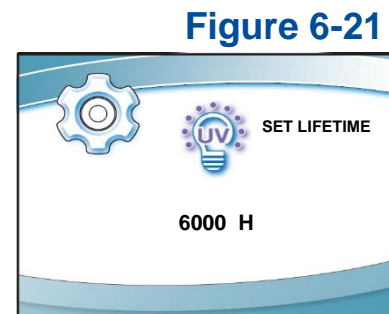
UV Parameters

For models equipped with the optional UV light, the cabinet has an integral UV light maintenance system. It allows you to monitor how many hours the lamp has been on, to reset the UV lamp hourmeter, and to define how many hours you want the UV lamp to operate before receiving a reminder to replace it.

This screen displays the hours of UV lamp operation (Runtime), and how many hours remain (Remaining) until you receive a warning to replace the lamp. To reset the Runtime hourmeter to zero (after replacing the UV lamp), select *Reset*, then [OK/MUTE]. The hour text will begin to flash, if you entered this condition by mistake, press [MENU]. If you want to reset the hourmeter, hold [OK/MUTE] for 3 seconds.



To change the desired UV lamp lifetime, select *Lifetime* as seen in Fig. 6-20, then [OK/MUTE]. The screen shown in Fig. 6-21 will display. To change the UV lamp lifetime (number of operating hours before receiving a warning), change the *Hour* field accordingly using [UP] or [DOWN], then [OK/MUTE].



For most UV lamps, the output of UV light decreases at a constant rate. Typically, after 6,000 hours of operation the lamp's output intensity will reduce to 80% of when it was new. This option allows you to set operational life of the UV lamp, in 100 hour increments. 6,000 hours is the default.

The Tools Submenu

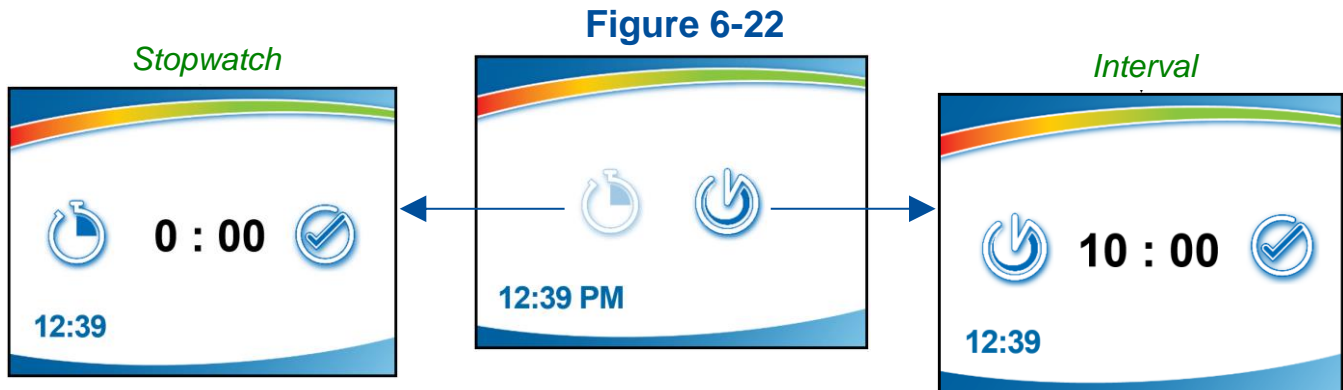
This submenu is reserved for use by certifiers, during certification or service procedures. **CAUTION!** - Entering this submenu will disable some alarms and functionality so that diagnostic and certification procedures can be performed.

Additional details on the Tools Submenu are found in the Logic+ Technical Manual.

Timer Operation

The timer allows activation of an interval (countdown) or elapsed (stopwatch) timer. The timers cannot be operated simultaneously.

To access the Timer Menu, press **[Timer]** anytime during normal operation (from the Home Screen). The Timer Menu is displayed (Figure 6-22). Select *Interval* or *Stopwatch* Timer, then **[OK/MUTE]**.



Interval Timer Operation

1. The interval timer defaults to 05:00 (minutes:seconds).
2. Press **[UP]** or **[DOWN]** to increase or decrease the timer interval.
3. When the proper interval is selected, press **[OK/Mute]** to start the timer.
4. When the timer reaches 00:00, an audible alarm will sound.
5. Press **[OK/Mute]** to pause the timer. Press **[OK/Mute]** while paused, and the timer will reset to the previously selected interval.
6. Press **[Menu]** to clear the interval timer and return to the main timer menu.

Stopwatch Timer Operation

1. The stopwatch timer defaults to 00:00.
2. Press **[OK/Mute]** to start the timer.
3. Press **[OK/Mute]** again to pause the timer. Press **[OK/Mute]** while paused, and the timer will reset to 00:00.
4. Press **[Menu]** to return to the main timer menu.

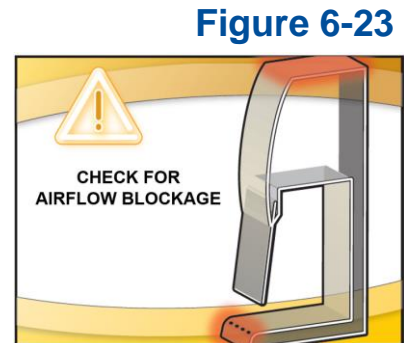
Airflow Alert

While the blower is on, any sudden disruption to the airflow within the cabinet will trigger an Airflow Alert. When an Airflow Alert activates, the display will automatically change (Figure 6-23), and the audible alert tone will sound.

The most common causes of an Airflow Alert are:

- Blockage of the inlet grilles or exhaust outlet
- Removal of the work surface or grille during operation

Look to identify the cause of the airflow disruption, and remove the blockage or return the work surface to its proper position.



When a blockage of the airflow occurs, the cabinet's blower automatically increases its speed to maintain constant volume airflow. This is a protective feature; however, if the disruption is significant (for example blocking the entire front grille) it will not guarantee product or personnel protection remains during the significant blockage event.

Resetting the Airflow Alert System

The Airflow Alert automatically dismisses once the motor speed has stabilized.



Note: Once the blockage or disruption has been resolved, the Airflow Alert may reactivate while the blower returns to correct operating speed. It will dismiss automatically once the blower reaches correct operating speed.

Alarms

Any alarm that activates requires the user's immediate attention, and some form of actionable response to clear the alarm.

Power Loss Alarm

The cabinet has lost power. See Figure 6-24. Press **[OK]** on the keypad to acknowledge that a power loss occurred.



Note: This alarm will activate any time power is cycled, including turning the System Reset Switch (see Figure 7-2) off and back on.

Figure 6-24



Sash Height Alarm

The sash is not at the proper operating height. Return sash to proper working height.

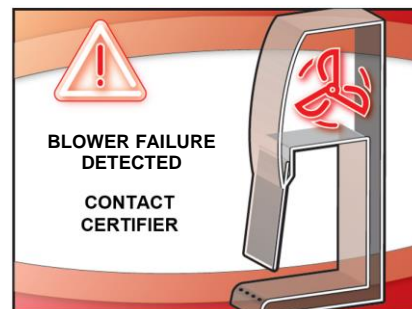
Figure 6-25



Blower Failure Alarm

The blower motor has failed, or the motor and display circuit board are not communicating properly. Press **[BLOWER]** on the keypad to clear the alarm.

Figure 6-26



DO NOT USE THE CABINET UNTIL THE PROBLEM HAS BEEN CORRECTED.

The previous Alarms (Power Loss, Sash Height, and Blower Failure) can occur on any Cell Logic+ Type A2 cabinet whether it is operating with or without an exhaust connection.

The following Alarms will only occur on the Cell Logic+ Type A2 cabinet when operating with the optional Ventus™ canopy connection, as these alarms are only related to build exhaust problems.

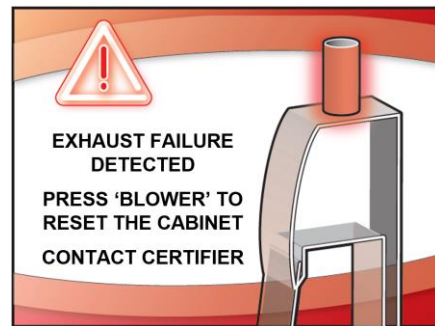
Running Exhaust Alarm

When operating with an optional canopy connection, after the blower is successfully started, and the building exhaust airflow drops below the minimum safe level, this alarm will be displayed.

Once this alarm activates, the cabinet's blower will ramp to maximum speed to attempt to maintain safe inflow for the cabinet.

Press **[BLOWER]** on the keypad to clear the alarm.

Figure 6-27



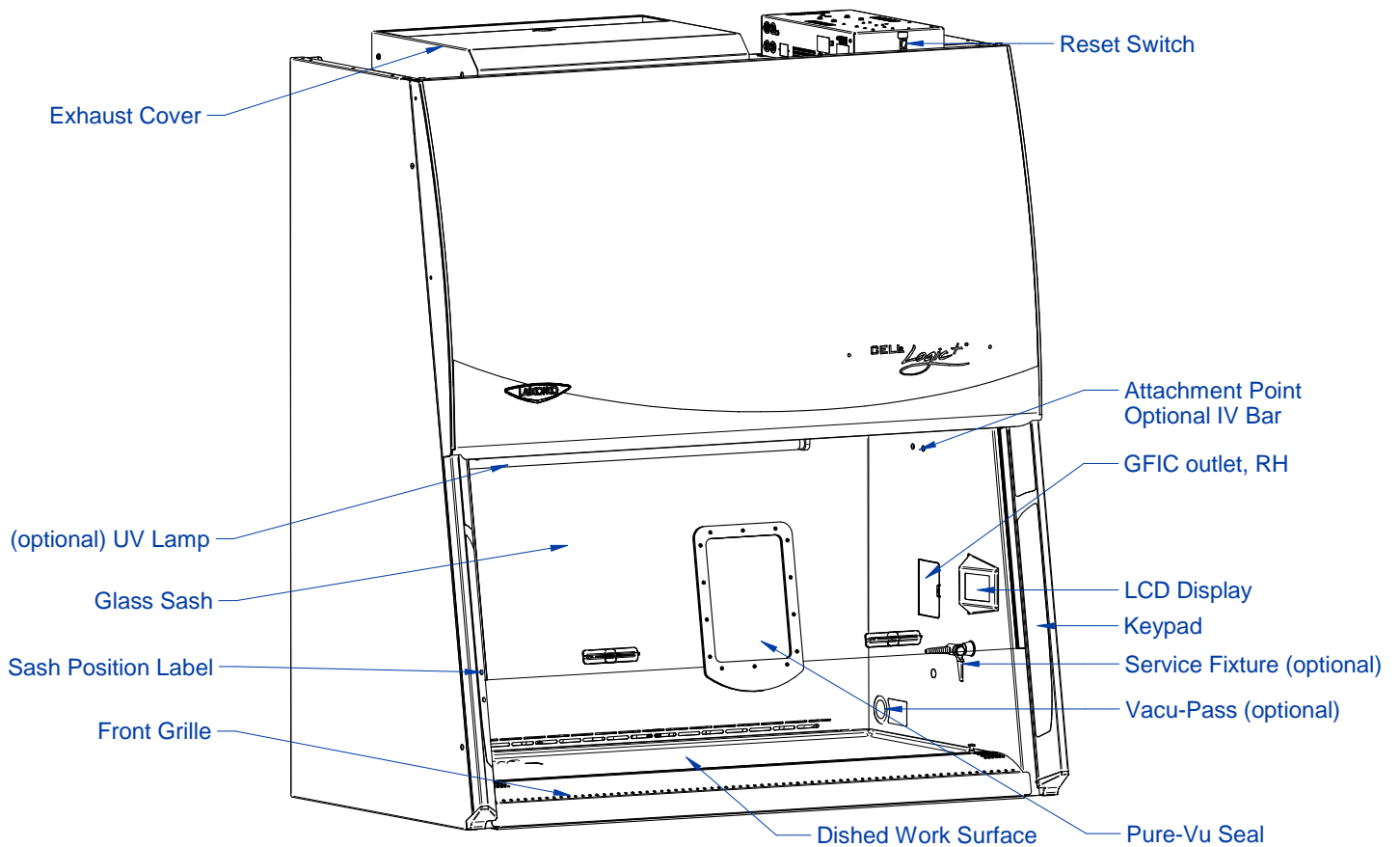
7: Using Your Cell Logic+ Type A2

This section details the functional features and proper techniques for safely and efficiently using the Cell Logic+ Type A2 biosafety cabinet.

Feature Overview

Figure 7-1 illustrates key features and components of the product.

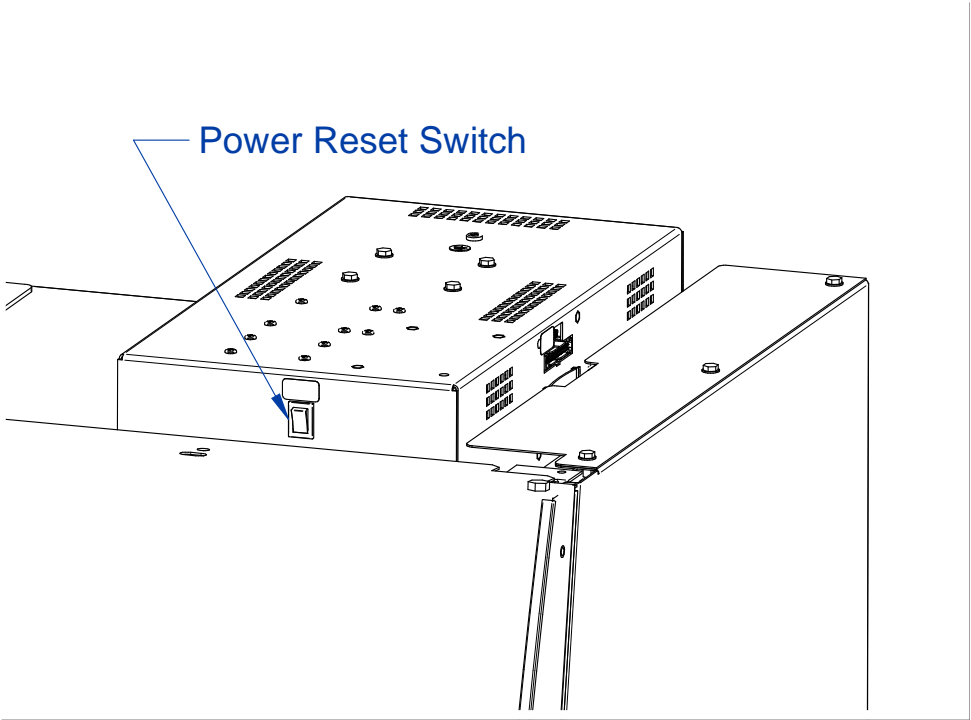
Figure 7-1



System Reset Switch

The system reset switch removes power from the control board and microprocessor. It is located on the front side of the electrical box on the top, right side of the product. See Figure 7-2. This switch will NOT remove all electrical power from the product. For service operations, always disconnect the main electrical connection prior to removing service panels.

Figure 7-2



Keypad

The keypad of the cabinet is shown in Figure 7-3. Take a moment to familiarize yourself with the buttons, their locations and functions. Also familiarize yourself with the display located on the right side wall. The display will report system functions, such as filter capacity, timer displays, alarm or error messages, as well as icons that illuminate when cabinet functions such as the light and blower are operational.

[BLOWER] – Starts or stops the cabinet blower. When the blower is in automatic (SmartStart) mode, opening the sash from the closed position turns the blower on automatically. The cabinet can also be configured so that when the sash is closed, the motor slows to maintain air cleanliness in the work area (NightSmart). When the sash is reopened, the blower resumes normal operation. Pressing the blower button at any time overrides the automatic operation.

[LIGHT] – Turns the LED lamps on or off. Closing the sash automatically turns the lights off. When the lights are in automatic (SmartStart) mode, raising the sash turns the lights automatically. Pressing the light button at any time overrides automatic operation.

[OUTLETS] – Turns on/off electrical outlets in the work area.

[UV LIGHT] – Turns on/off the UV lamp (when installed). When the UV lamp is in automatic mode, closing the sash the UV light on automatically. When the sash is raised, the light turns off automatically.

[TIMER] – Allows you to select either a repeating interval or an elapsed timer (stopwatch).

[OK/MUTE] – Mutes all audible alarms for approximately 5 minutes, unless there is a system error alarm. When in any this button is used to select an option.

[MENU] – From the Home Screen, this button accesses the Menu. When in any menu screen, pressing this button returns the previous menu level.

[UP] and **[DOWN]** – Moves between selectable options or change numerical fields in menu screens.

Figure 7-3



Sash Operation

The counterbalanced, anti-racking sash mechanism requires only a few pounds of force to move the sash up or down. You can open or close the sash smoothly with one or two hands positioned on either handle.

The sash position alarm and safety interlock system senses the sash position and acts appropriately. The cabinet has been programmed to operate at an 8-inch (203 mm) or 10-inch (254 mm) sash opening, depending on the model. Raising the sash above or below its operating height will activate the audible and visual alarms. The audible alarm can be temporarily muted for approximately five minutes by pressing the **[OK/MUTE]** button on the Keypad. Moving the sash back to its operating position will reset the alarm. The safety interlock system senses when the sash is closed and allows the optional UV lamp to operate only when the sash is closed, to protect the operator from irradiation.

Blower Operation

The Cell Logic+ Type A2 biosafety cabinet can be configured to automatically turn on the internal blower. If this feature is enabled, raising the sash from closed to operating height will automatically turn on the blower. If this feature is not enabled, raise the sash to operating height, and press **[BLOWER]**. Either method will start the blower, and the *Blower Starting* screen will appear for approximately 1 minute.

If the product is configured to operate with an optional canopy connection, and the building's exhaust system is not pulling the required volume of exhaust air through the canopy, the internal blower will start while *Blower Starting* appears on the display. If the building exhaust system does not reach the required minimum volume of airflow within 90 seconds, an alarm will occur.

Light Operation

The Cell Logic+ Type A2 biosafety cabinet provides dual LED lamps for illuminating the work surface. The cabinet can be configured to automatically turn on the LED lighting. If this feature is enabled, raising the sash from closed to operating height will automatically turn on the LED lighting. If this feature is not enabled, raise the sash to operating height, and press **[LIGHT]**. Either method will illuminate the LED lighting.

Outlet Operation

The Cell Logic+ Type A2 biosafety cabinet provides two GFIC outlets with a maximum total amperage draw of 5A (100-115v models) or 3A (230v models). Power to the

outlets can be activated or deactivated from the Keypad. To activate or deactivate power to the outlets, press **[OUTLET]**.

Vacu-Pass™ Cord & Cable Pass Thru (optional)

The Vacu-Pass allows for passage of a cord, cable, or tube from within the product. The pass thru provides a sealed plug, and the plug housing is maintained under negative pressure to safely pass cords through the right side wall of the product. Not all models are configured with a Vacu-Pass port, if your model does not contain this option, this section may be skipped.



Note: There must be enough clearance to pass the cord between the product's exterior side panel and any obstruction such as a wall or other device.

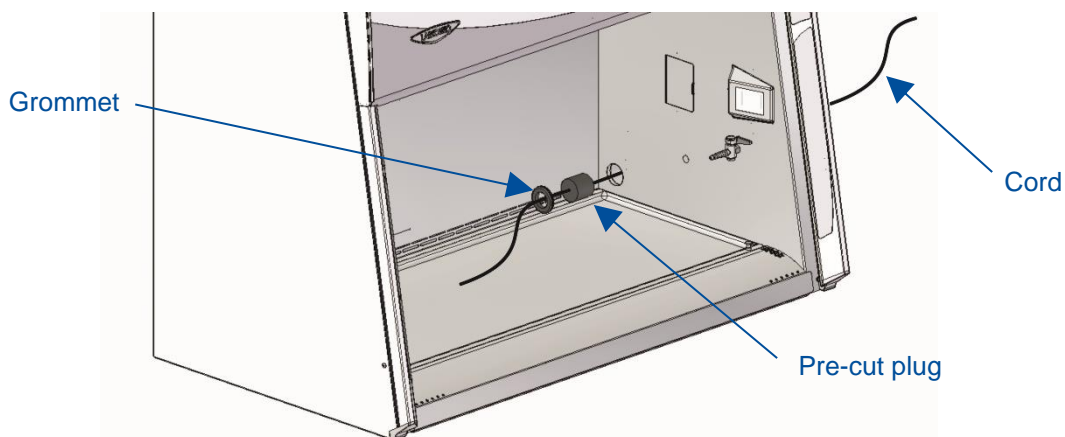


Some Vacu-Pass components and the cord passing through it may become contaminated during use of the cabinet. Ensure all potentially contaminated components are surface decontaminated before handling or removal from the cabinet.

1. Locate the Vacu-Pass pre-cut accessory plug supplied in the Parts Box (see [Section 4: Installation](#) for location of the Parts Box).
2. Remove the grommet from the liner side wall. Remove the solid plug from the body of the portal by either pressing it through from the outside, or by carefully inserting a spatula or similar device between the sealing plug and the body of the portal, and prying the plug out. Save the solid plug. Locate the pre-cut accessory plug.
3. Pass the cord or cable through the body of the portal, and then through one of the pre-cut accessory plug holes, then through the grommet, as shown in Figure 7-4.

Note: Select a pre-cut plug hole that is slightly smaller than the cord or cable, to create a proper seal. The pre-cut plug has a core piece that must be removed before inserting the cord.

Figure 7-4



4. Position the cord or cable as it will be used in the cabinet, and then push the plug back into the body of the portal until it seats in the portal. Reinstall the grommet.

Working in the Cabinet

Working in the Cell Logic+ Type A2 biosafety cabinet requires preparation, planning, and an understanding of aseptic technique to work safely. The steps below represent the minimum requirements before, during, and after working in a biosafety cabinet. Consult your Health & Safety department for additional SOP requirements.

Planning

1. Thoroughly understand procedures and equipment required before beginning work.
2. Arrange for minimal disruptions, such as room traffic or entry into the room while the cabinet is in use.

Cabinet Start-up

1. Turn off UV light (if included on your cabinet).
2. Slowly raise the sash until the bottom of the sash aligns with the sash indicator decal located on the left side of the work area (See Figure 7-1).
3. Turn on the light and cabinet blower if the automatic features have not been enabled.
4. Check the air grilles for obstructions.
5. Allow the cabinet to operate until the Home Screen is shown.

Figure 7-5



6. Wash hands and arms thoroughly with germicidal soap.
7. Wear appropriate personnel protective equipment (PPE).

Wipe Down

1. Raise the sash to its full open position (approximately 22.5 inches or 571 mm). Mute the alarm by pressing **[OK/MUTE]**.

2. Wipe down the interior surfaces of the cabinet with 70% ethanol, or a suitable disinfectant, and allowed to dry.

Loading Materials and Equipment

1. Only load the materials required for the procedure. Do not overload the cabinet.
2. Do not obstruct the front, side, or rear return air grilles.
3. Large objects should not be placed close together.
4. Slowly close the sash until it is in the correct operating position.
5. After loading the cabinet, wait two to three minutes to purge airborne contaminants from the work area.

Work Techniques

- Keep all materials at least 4 inches (100 mm) inside from the sash, and perform all contaminated operations as far to the rear of the work area as possible.
- Segregate all clean and contaminated materials in the work area.
- Arrange items to minimize movement of contaminated materials into clean areas.
- Keep all discarded contaminated material to the rear of the work area.
- Avoid moving materials or the operator's hands and arms through the front access opening during use.
- Avoid the use of an open flame. Use disposable labware or an electric incinerator as alternatives.
- Use proper aseptic technique.
- Avoid techniques or procedures that disrupt the airflow patterns of the cabinet.
- If there is a spill or splatter during use, all objects in the cabinet should be surface decontaminated before removal. Thoroughly disinfect the working area of the cabinet WHILE IT IS STILL IN OPERATION, to prevent the release of contaminants from the cabinet.

Final Purging

- Upon completion of work, the cabinet should be allowed to operate for two to three minutes undisturbed, to purge airborne contaminants from the work area.

Unloading Materials and Equipment

- Objects in contact with contaminated material should be surface decontaminated before removal from the cabinet.
- All open trays or containers should be covered prior to removal from the cabinet.

Wipe Down

1. Wipe down the interior surfaces of the cabinet with a suitable disinfectant, or 70% ethanol, and allowed to dry.
2. Periodically lift the work surface and wipe down the area beneath it.
3. Inspect and clean the towel catch located at the rear of the work area, beneath the work surface.

4. Dispose of rubber gloves appropriately, and have lab coat laundered properly.
5. Wash hands and arms thoroughly with germicidal soap.

Shutdown

- Lower the sash and turn off the light and cabinet blower. Activate the UV light, if installed.

8: Maintaining Your Cell Logic+ Type A2

This section details normal maintenance required for optimal operation of the Cell Logic+ Type A2 biosafety cabinet. This section does not cover service operations beyond normal maintenance, nor does it cover annual airflow certification procedures. These advanced sections are found in the Logic+ Technical Manual.

Maintenance Safety Precautions

The following tools and supplies are required to maintain the equipment:



- #2 Phillips Screwdriver
- 70% alcohol solution (or other approved surface disinfectant)
- Paper Towels



The following safety precautions must be followed by all personnel maintaining the equipment.

- Wear safety glasses, and/or additional eye and face protection as required by your Health & Safety Department.
- Wear gloves, and/or additional skin protection as required by the safety instructions for the specific cleaning/disinfecting chemicals used. Consult your Health & Safety Department for additional skin protection requirements.
- No loose fitting clothes
- Wear close-toed shoes
- Although the service operations detailed in this section do not involve access to areas of the product with moving or electrical parts, should you remove any panels that expose moving or electrical parts, you must follow these instructions before doing so:
 - Disconnect main power cord or electrical service connection
 - Never touch moving parts such as fan blades or blower wheels.
- Never touch the HEPA (or ULPA) filter media. Touching the media will damage it, and result in a failure of the filter to function properly and maintain safe conditions.



Recommended Maintenance Schedule

Table 8-1

Activity	Maintenance Frequency		
	Weekly	Monthly	Annually
Disinfect interior surfaces (with suitable chemical disinfectant)	•	•	•
Wipe down interior surfaces after contact time elapsed with 70% alcohol solution	•	•	•
Clean sash glass and UV lamp with suitable glass cleaner	•	•	•
Operate cabinet blower, noting Filter Life percentage in log	•	•	•
Using 70% alcohol solution, wipe down cabinet exterior		•	•
Disinfect and lift work surface. Surface disinfect the area beneath with suitable chemical disinfectant		•	•
Wipe down area beneath work surface after contact time elapsed with 70% alcohol solution		•	•
Check all service valves (if equipped) for proper operation		•	•
Check the UV Lamp Hourmeter, noting in log		•	•
Have the cabinet recertified by a qualified technician			•

Service Operations

The operations in this section provide instructions to maintain the Cell Logic+ Type A2 for normal consumable replacement, and access to parts in accordance with the Recommended Maintenance Schedule. This section does not cover service operations beyond normal maintenance, nor does it cover annual airflow certification procedures. These advanced sections are found in the Logic+ Technical Manual.

Resetting a Circuit Breaker

Should an over current situation arise during normal operation, the circuit breakers located on the left side of the top electrical box will trip, protecting the cabinet from damage.

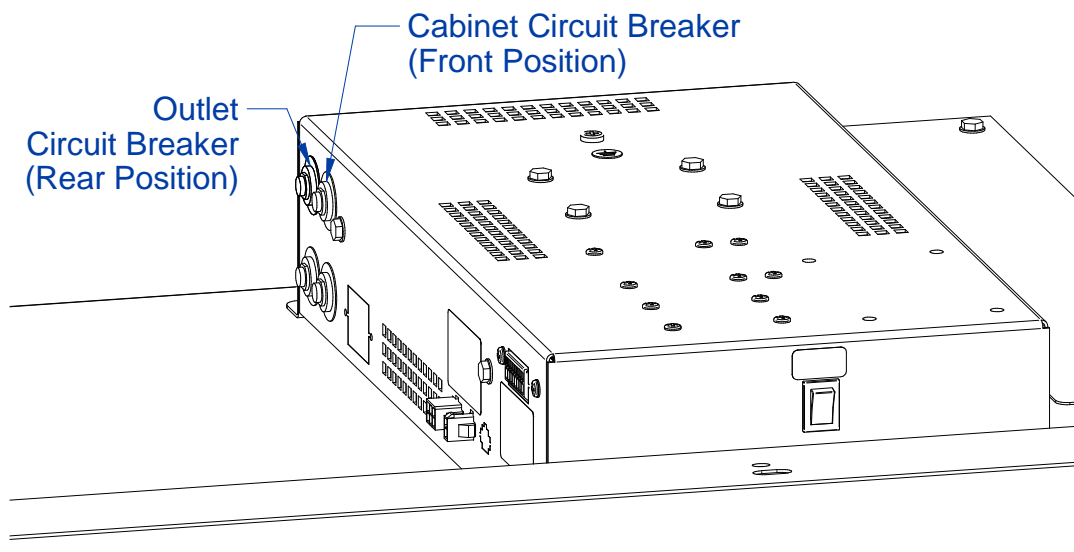
The Cell Logic+ Type A2 biosafety cabinet offers internal outlets to power small devices inside the cabinet. The internal outlets are protected by one circuit breaker (two circuit breakers on 230v models), and the cabinet electronics are protected by different circuit breaker (two different circuit breakers on 230v models). This allows the cabinet to continue to operate, providing protection to the product and user, should a device connected to an internal outlet experience an over current situation.

If the internal outlets do not have power when the Outlet icon is displayed on the Home Screen, reset the appropriate circuit breaker(s) as shown in Figure 8-1. The outlet circuit breaker(s) are in the Rear Position(s).

If the cabinet does not have power when the System Reset Switch (Figure 7-2) is on, reset the appropriate circuit breaker(s) as shown in Figure 8-1. The cabinet circuit breaker(s) are in the Front Position(s).

The thrown circuit breaker will be easy to identify, as the white barrel will be extended further than the other circuit breaker(s). To reset, simply push it in.

Figure 8-1



Dished Work Surface Removal

To lift or remove the dished work surface, reference Figure 7-1 for part identification and follow these steps.

1. Turn the cabinet blower on.
2. Lift the front edge of the work surface up by grasping the knob at either front corner.
3. Pull the work surface straight out, letting the rear edge rest on the center support underneath the work surface.



If removing the dished work surface from the cabinet, the work surface must be thoroughly decontaminated before removing it from the cabinet.

To reinstall the dished work surface, rest the bottom of the work surface on the center rail while pushing it back into the cabinet. Be sure to engage the tabs on the back corners of the work surface with the slots on the rear wall of the work area.

Front Grille Removal

Before beginning, the dished work surface must be removed, as described previously. Reference Figure 7-1 for parts identification.

1. If not already on, turn the cabinet blower on.
2. Grasp the front grille with two hands, one on the inside edge and one on the outside edge. Pull the front grille up, while also rotating the top slightly inward.



Note: It may be difficult to raise the front grille at first. If so, move to one end of the front grille, and follow step #2 while also rotating the grille up on that end. Once one end has raised slightly, then move back to the middle and continue to lift it up.



If removing the front grille from the cabinet, the front grille must be thoroughly decontaminated before removing it from the cabinet.

Front Panel Removal

Removal of the front panel is only necessary to change the LED lamps.



Tools Required:

- #2 Phillips Screwdriver



It is recommended to utilize at least two (2) persons to remove the front panel, particularly for a 6-ft model. The front panel is heavy. Take care to use safe lifting practices, and to set the panel where it cannot fall over while uninstalled from the cabinet.

1. Locate and remove the two Phillips screws that secure the front panel as shown in Figure 8-4. They are located on the bottom corners of the front dress panel.
2. Swing the bottom of the dress panel out to clear the LED lamps and then lift the front dress panel straight up and away from the cabinet.

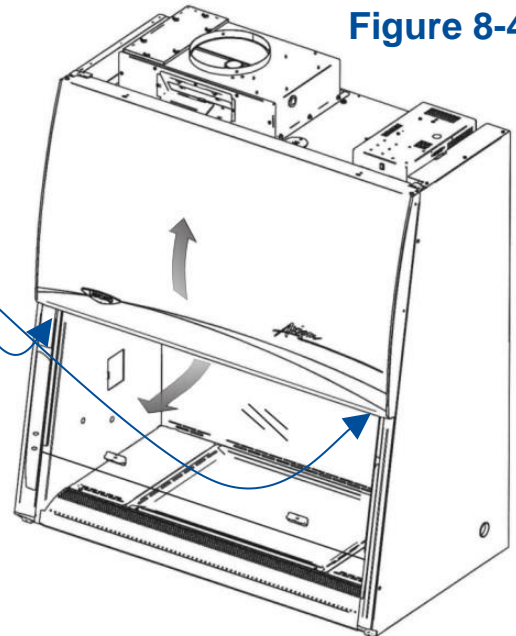


Figure 8-4



Before removing the dress panel, remove all electrical power to the cabinet by disconnecting the power cord from the cabinet.

To reinstall the panel, reverse these steps, ensuring that the plastic pins in the top corners of the front dress panel are properly engaged in the top of each corner post.

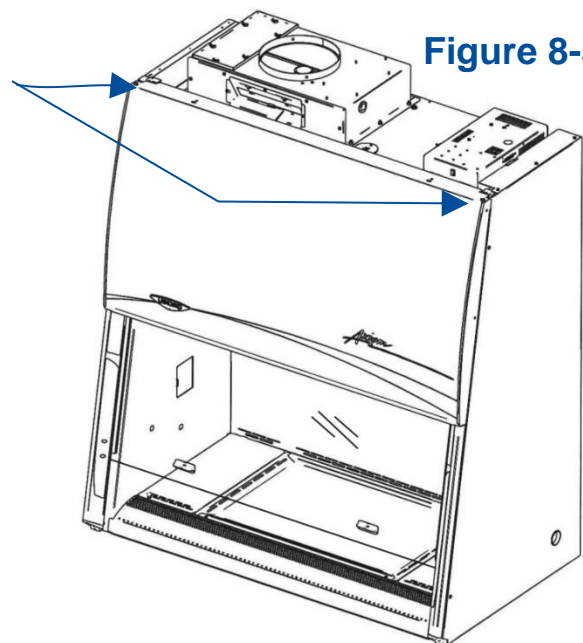


Figure 8-5

Changing the LED Lamps



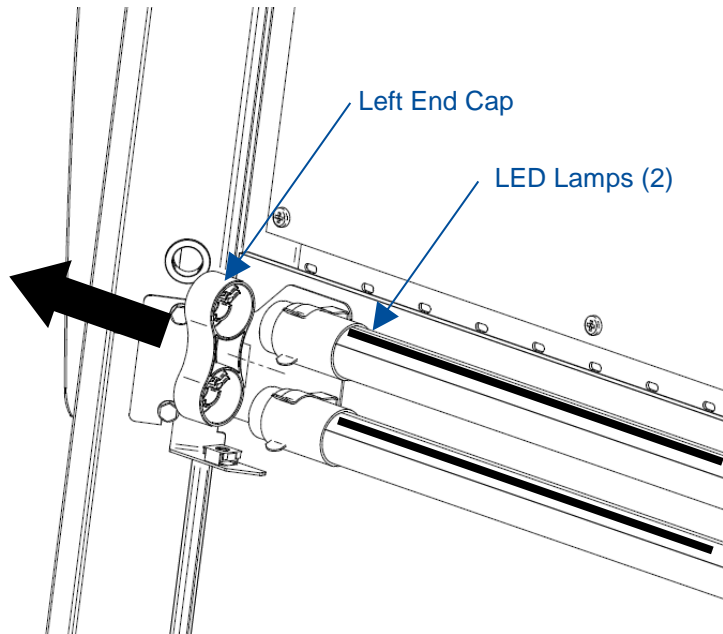
Before proceeding, make sure all electrical power has been removed from the cabinet by disconnecting the main electrical connection, which is the power cord.



This product uses only LED direct drive lighting. Do NOT install fluorescent bulbs.

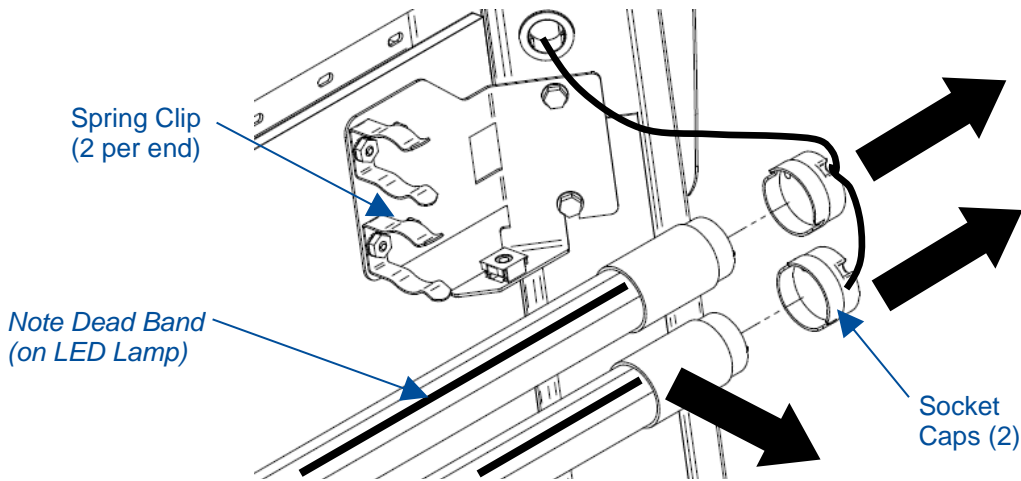
1. Remove the dress panel as noted in Figure 8-4.
2. Locate the Left End Cap that aligns both LED lamps (Figure 8-6), remove the Left End Cap by pulling it away from the lamp ends.

Figure 8-6



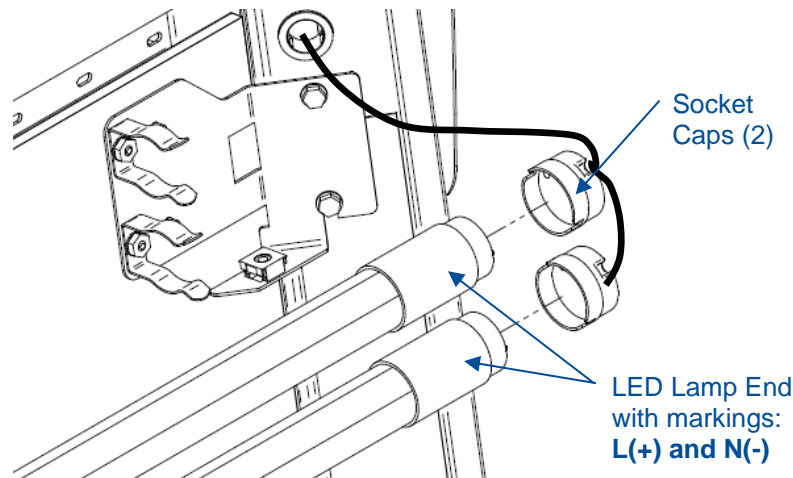
3. Remove both Socket Caps (on the right end of each LED lamp) by pulling each Socket Cap straight off the right end of the lamp one at a time (Figure 8-7).

Figure 8-7



4. Pull each LED Lamp straight toward you to release the lamp from the two Spring Clips holding it in place (Figure 8-7). Note the rotational position of the old LED lamps (there is a dead band stripe that will need to be oriented the same when reinstalling the new LED Lamps).
5. Install the new LED Lamps by reversing the removal procedure. Take care to look at both ends of the new LED Lamps. One end is labeled with a '+' & '-' and 'L' & 'N' (Figure 8-8). This end of the new LED Lamp must go to the right, and is inserted into the Socket Cap.

Figure 8-8



6. When reinstalling the Left End Cap, the pins on each LED Lamp must align rotationally with the Left End Cap. This ensures the dead band stripe is positioned correctly for maximum cabinet lighting.

Changing the Optional UV Lamp

The UV Lamp is an optional feature and may not be found on all models.



THE UV LAMP IN THIS PRODUCT CONTAINS MERCURY

Manage in accordance with local disposal laws. DO NOT place lamps in trash. Dispose as a hazardous waste. For information regarding safe handling, recycling and disposal, consult www.lamprecycle.org

CETTE LAMPE (UV) DANS CE PRODUIT CONTIENT DU MERCURE

Éliminez ou recyclez conformément aux lois applicables. Pour de l'information concernant des pratiques de manipulation sécuritaires et l'élimination sécuritaire et le recyclage, veuillez consulter www.lamprecycle.org



For optimum performance, the UV lamp should be changed as indicated by the UV lamp hourmeter.



The UV lamp and the work area of the cabinet must be thoroughly decontaminated before removing the lamp.

1. Start the cabinet blower and let it operate for 5 minutes.
2. Raise the sash to its full open position.
3. Thoroughly surface decontaminate the UV lamp and the work area of the cabinet.
4. Unplug the cabinet or turn off the System Reset Switch, located on the top of the cabinet.
5. Remove the UV lamp by rotating it 90 degrees and lifting it straight up and out of its sockets.
6. Install new lamp by reversing the removal procedure.

Storage

If the cabinet is to be left unused for more than one month, it should be prepared for storage. Follow the instructions below.



The cabinet should not be stored in areas of excess humidity or temperature extremes. If the cabinet is moved during storage, it must be recertified before use.

1. Close the sash completely and seal the bottom edge with plastic sheeting.
2. Seal the exhaust outlet with plastic sheeting.
3. Unplug the cabinet.
4. Ensure that the cabinet will not be moved or disturbed while being stored.

9: Accessories

This section details the available field-installable accessories and approved modifications for your Cell Logic+ Type A2 biosafety cabinet.

Telescoping Base Stands

These stands are included with some product models, or available separately. The base stand catalog numbers are listed in Table 9-1 below. An optional caster wheel kit is available (catalog number 3730500).

Table 9-1

Cabinet Width (Feet)	Base Stand
3'	3401003
4'	3401004
5'	3401005
6'	3401006

Manual or Electric Hydraulic Lift Base Stands

These base stands offer infinitely adjustable height between 25.5 and 33.5 inches (648 – 851 mm), providing a cabinet work surface height of 28.0 to 36.0 inches (711 – 914 mm). The height is adjusted either by a manual (hand crank) or electric pump that drives the hydraulic legs of the stand. The hydraulic stands are equipped with fixed levelling feet. The base stand catalog numbers are listed in Table 9-2 below. An optional caster wheel kit is available (catalog number 3784000).

Table 9-2

Cabinet Width (Feet)	Manual Stand	Electric (115v)	Electric (230v)
3'	3780200	3780100	3780103
4'	3780201	3780101	3780104
5'	3780203	3780106	3780107
6'	3780202	3780102	3780105



Note – Make sure service and exhaust connections to the product are properly prepared to allow for the raising or lowering of the product with these stands.

SoLo™ Electric Hydraulic Lift Base Stands

These base stands permit the cabinet to be lowered enough to transport it through a standard doorway as low as 84 inches (2133 mm). They offer infinitely adjustable height up to 33.5 inches (851 mm), providing a cabinet work surface height up to 36.0 inches (914 mm). The hydraulic stands are equipped with locking casters. The base stand catalog numbers are listed in Table 9-3 below.

Table 9-3

Cabinet Width (Feet)	SoLo (115v)	SoLo (230v)			
	North America	North America	UK	Europe (Schuko)	China / Australia
3'	3780310	3780314	3780330	3780334	3780338
4'	3780311	3780315	3780331	3780335	3780339
5'	3780312	3780316	3780332	3780336	3780340
6'	3780313	3780317	3780333	3780337	3780341



Note – Make sure service and exhaust connections to the product are properly prepared to allow for the raising or lowering of the product with these stands.

IV Bar

The IV Bar can be field installed on any size Cell Logic+ A2 biosafety cabinet. The bar allows for easy hanging of IV bags used inside the biosafety cabinet. Catalog numbers are listed in Table 9-4 below.

Table 9-4

Cabinet Width (Feet)	Catalog Number
3'	3858600
4'	3858601
5'	3858602
6'	3858603

Airflow Sensor

The Airflow Sensor can be field installed on any size Cell Logic+ A2 biosafety cabinet. The sensor monitors the average inflow air velocity at the front work opening and average downflow air velocity inside the biosafety cabinet, and provides these velocities on the display, as shown in Figure 9-1. The catalog number is listed in Table 9-5.

Figure 9-1

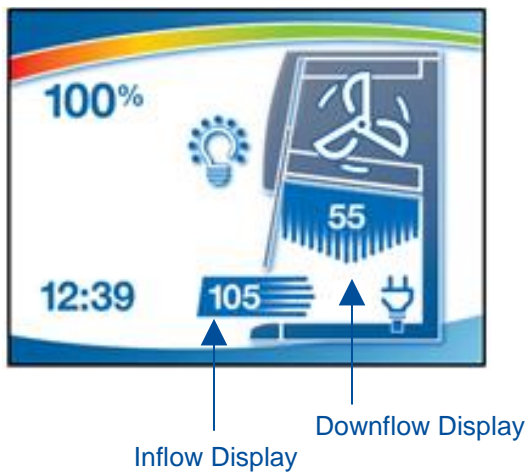


Table 9-5

Cabinet Width (Feet)	Catalog Number
All	3405500

Stand-Still™ Isolation Platform

Required for supporting microscopes on Cell Logic+ models with Scope-Ready package. The Stand-Still Isolation Platform promotes proper airflow through the cabinet and underneath the microscope, and reduces vibrations threefold.

Table 9-6

Description	Catalog Number
Stand-Still Platform, 12.0" x 18.75" (30.5 x 47.6 cm)	4028200
XL Stand-Still Platform, 14.0" x 22.75" (35.6 x 57.8 cm)	4028100*

*Requires use of Pure-Vu XL Seal 4027810 or 4027811

Pure-VU™ Seals

Each Cell Logic+ with Scope-Ready package comes with two clear blank seals one standard height seal (Catalog Number 4027800) and one XL height seal (Catalog Number 4027810). The Punch Kit (4027801) is also included with each Cell Logic+ with Scope-Ready package. Additional pre-punched seals are listed below:

Table 9-7

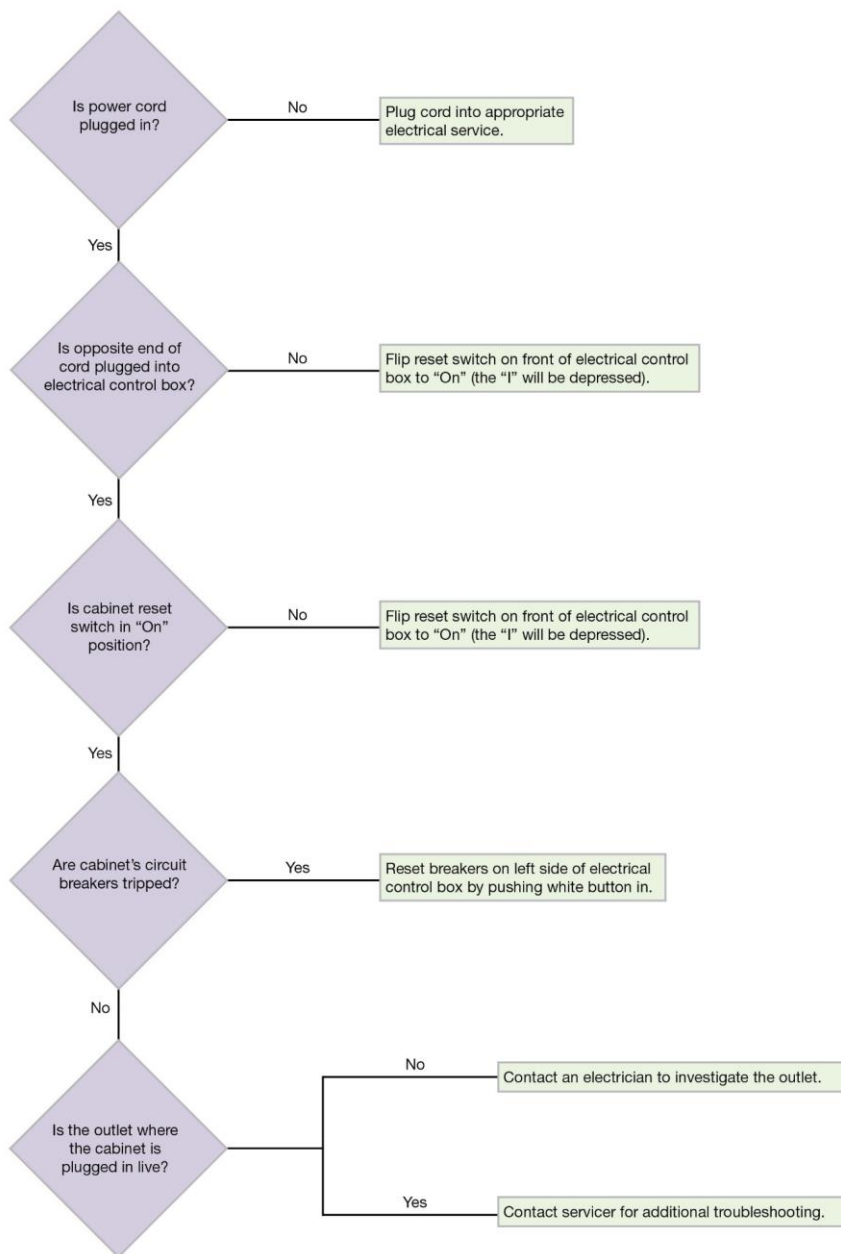
Nominal Eyepiece Height	Catalog Number
13.0" (33.0 cm)	4027813
14.0" (35.6 cm)	4027814
15.0" (38.1 cm)	4027815
16.0" (40.6 cm)	4027816
17.0" (43.2 cm)	4027817
16.0" +/- 2.0" (40.6 cm +/- 5.1 cm)*	4027811*

*Pure-Vu XL Seal with pre-punched optics holes

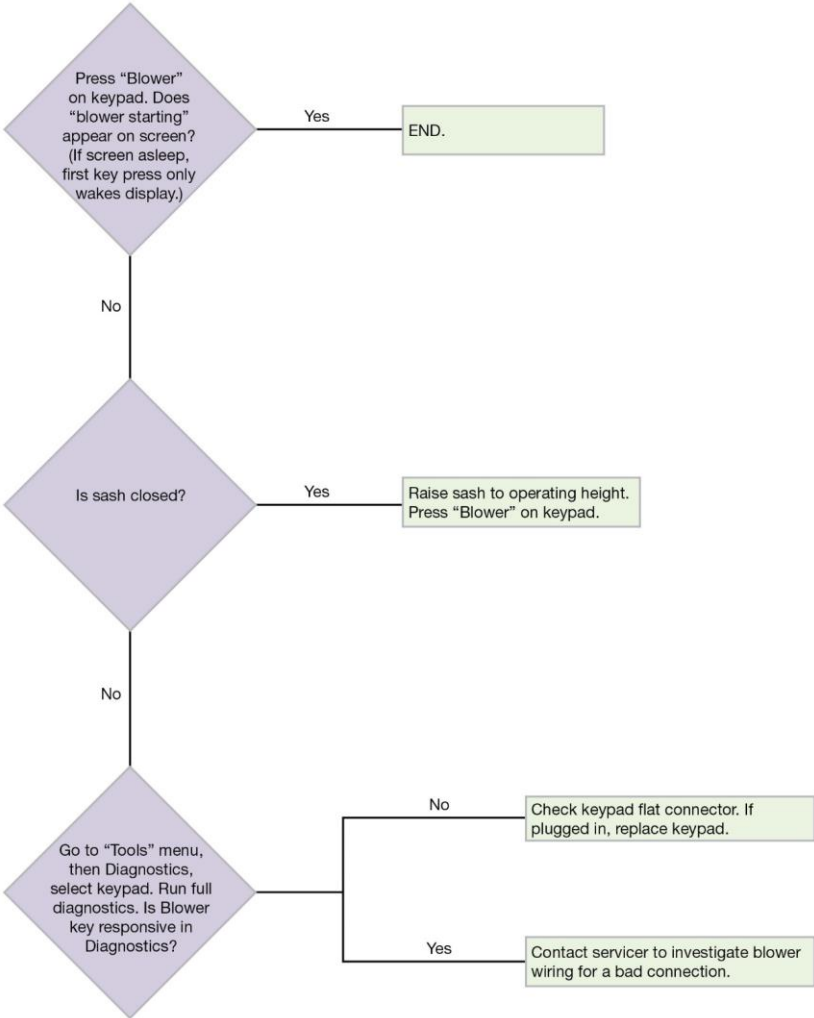
10: Troubleshooting

This section details common troubleshooting for your biosafety cabinet.

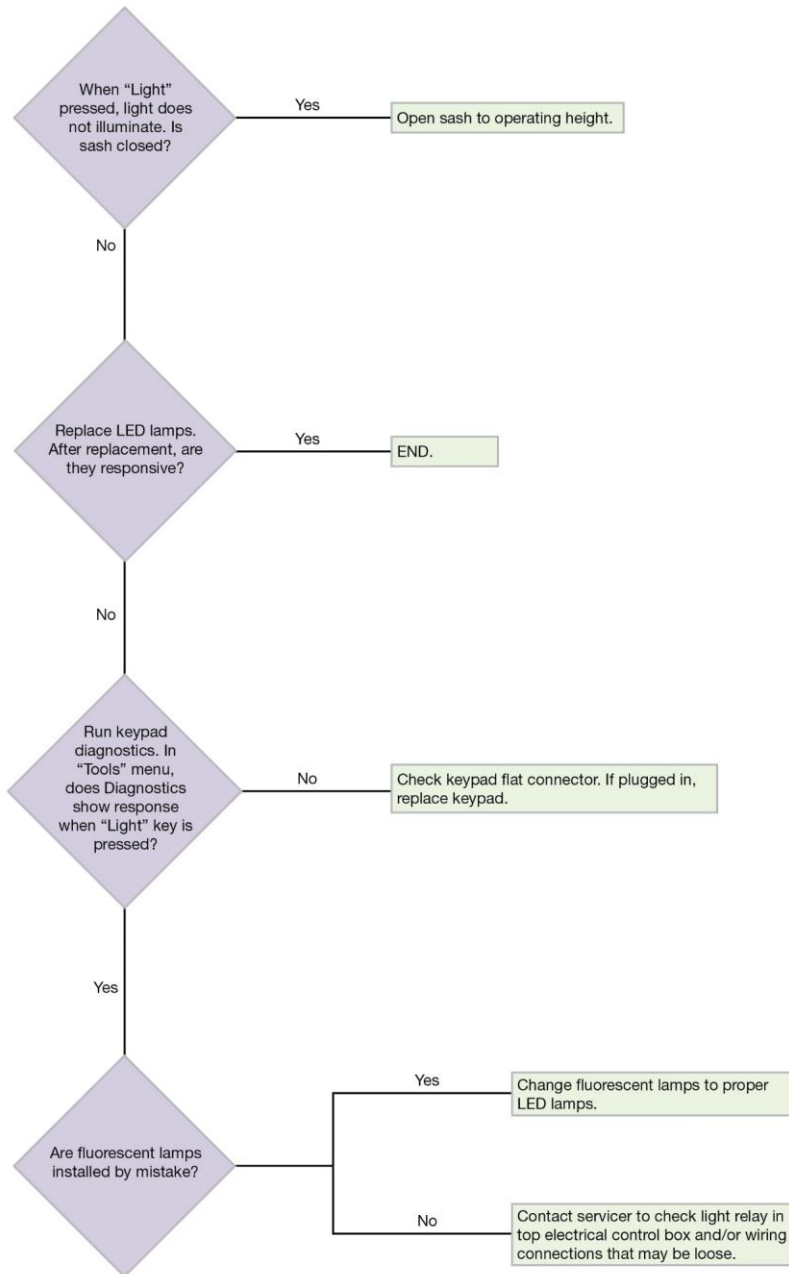
Blower and Lights not working



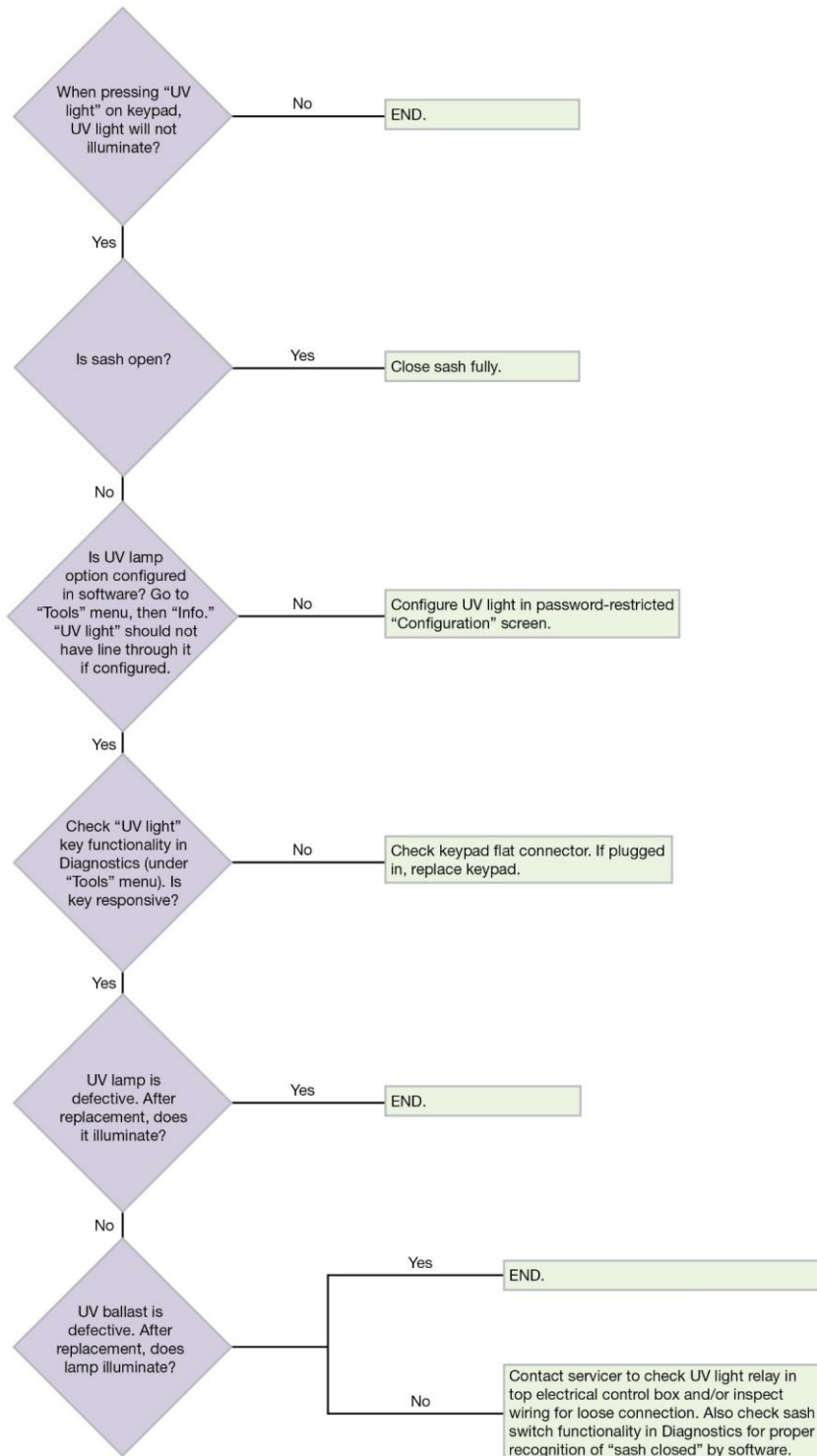
Blower only will not start



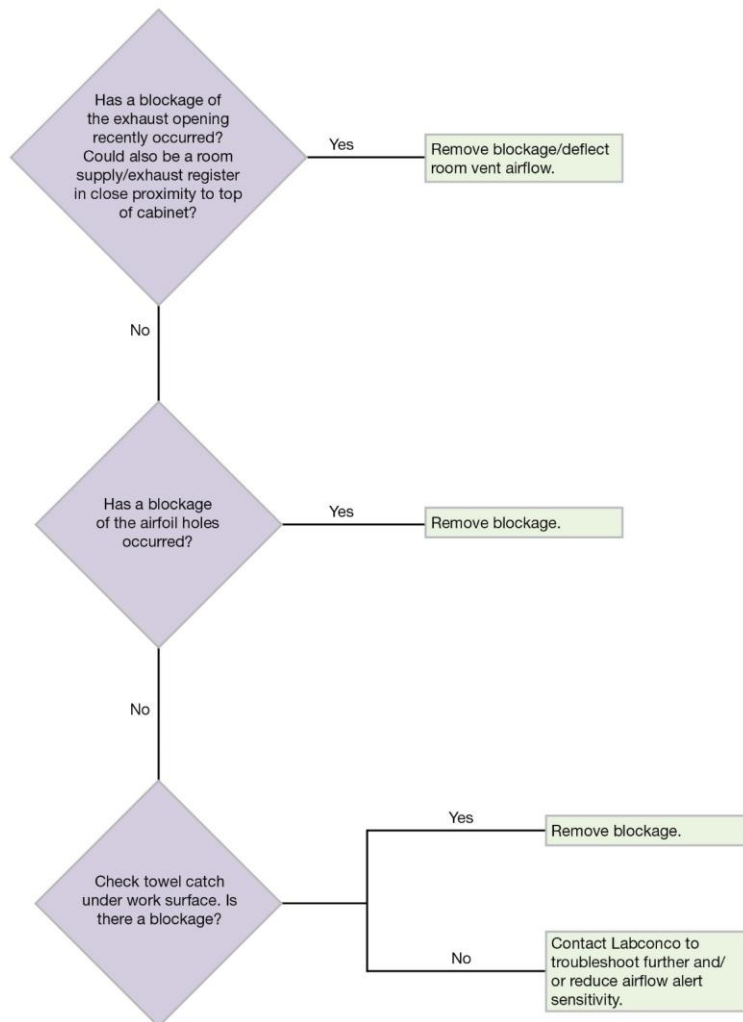
Lights only will not illuminate



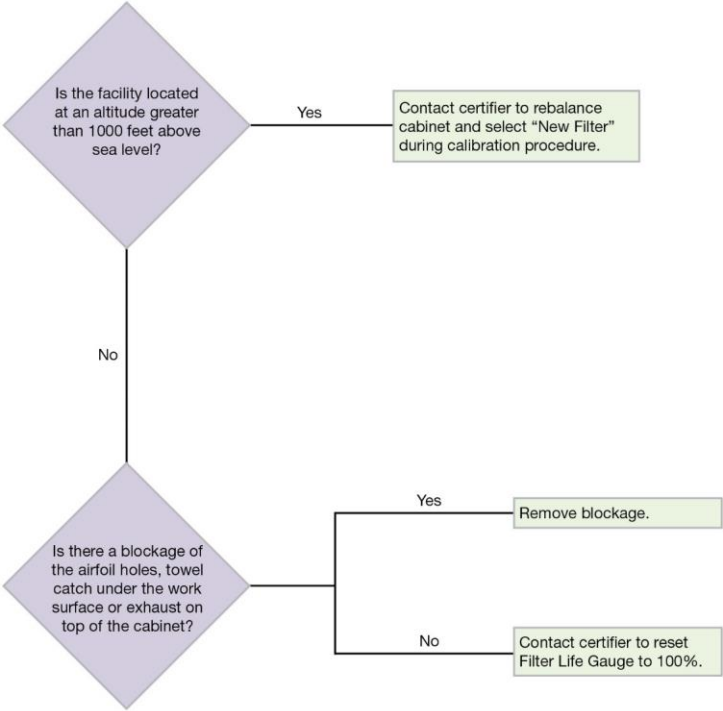
UV Light will not illuminate



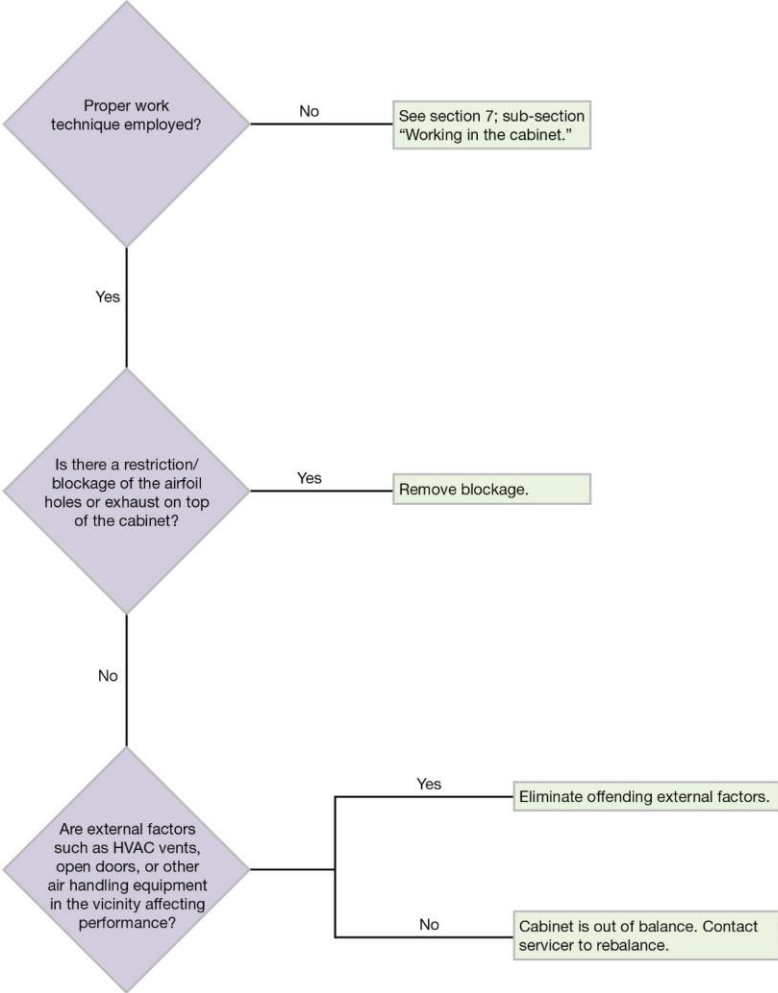
Airflow Alert activating



Filter Life Gauge not at 100% when new



Contamination in the work area



Appendix A: Parts List

Table A-1 and Figure A-1 indicate the location and catalog numbers for the following service, and replacement accessory components.

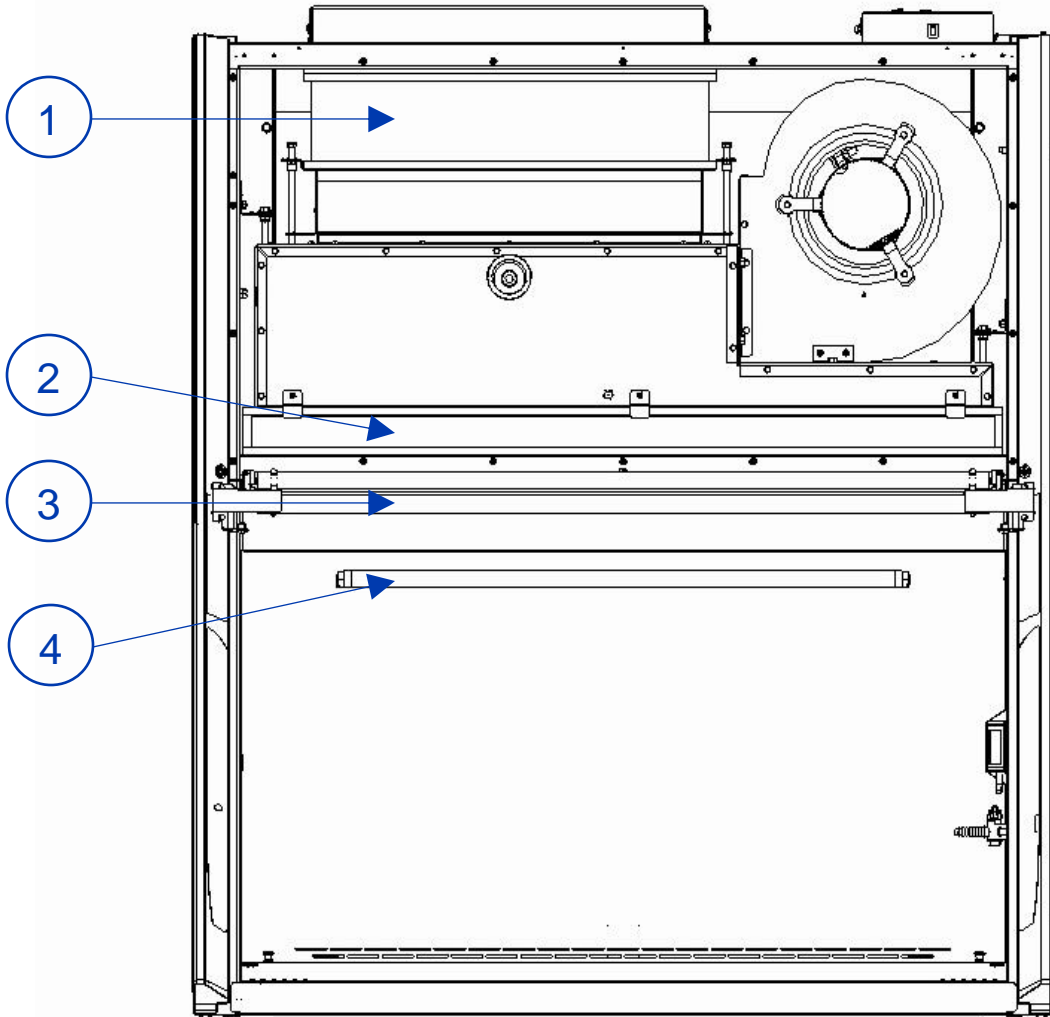
Table A-1

Item	Quantity Required	Catalog Number	Description
1	1	3838500	Exhaust HEPA Filter 3 Foot Model
	1	3838501	Exhaust HEPA Filter 4 Foot Model
	1	3838502	Exhaust HEPA Filter 5 Foot Model
	1	3838503	Exhaust HEPA Filter 6 Foot Model
2	1	3838410	Supply HEPA Filter 3 Foot Model
	1	3838411	Supply HEPA Filter 4 Foot Model
	1	3838412	Supply HEPA Filter 5 Foot Model
	1	3838413	Supply HEPA Filter 6 Foot Model
3	2	1297503	Lamp, LED, 3 Foot Model
	2	1297504	Lamp, LED, 4 Foot Model
	2	1297505	Lamp, LED, 5 Foot Model
	2	1297506	Lamp, LED, 6 Foot Model
4	1	1271300	Lamp, UV (models with UV light only)



This product uses only LED direct drive lighting. Do NOT install fluorescent bulbs.

Figure A-1



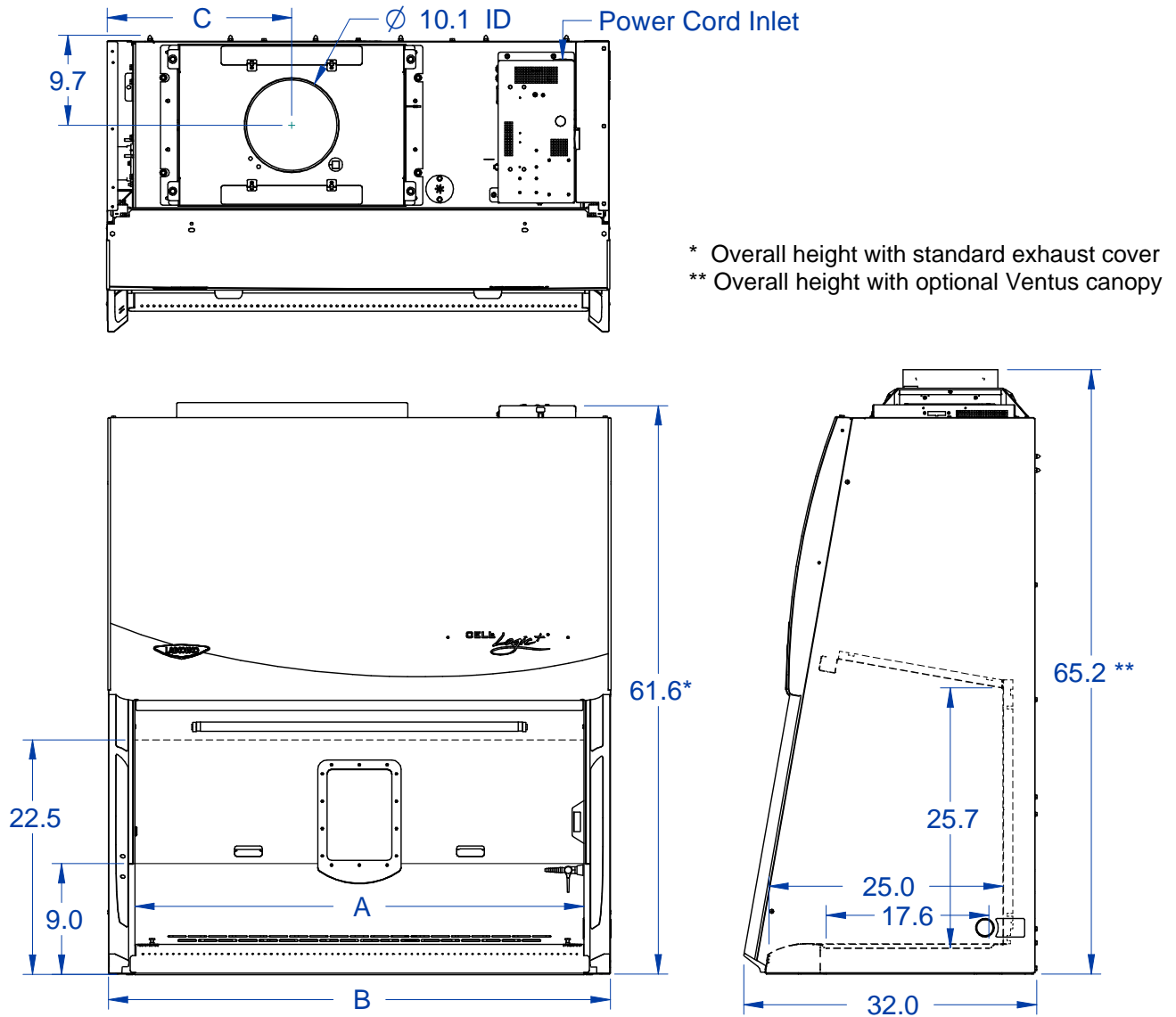
Appendix B: Dimensions

Table B-1 and Figure B-1 indicate the product dimensions. All dimensions shown in inches (centimeters).

Table B-1

Width	A	B	C	Width	A	B	C
3'	36.5 (92.7)	42.3 (107.4)	13.6 (34.5)	5'	60.5 (153.7)	66.3 (168.4)	26.9 (68.3)
4'	48.5 (123.2)	54.3 (137.9)	19.9 (50.5)	6'	72.5 (184.2)	78.3 (198.9)	32.9 (83.6)

Figure B-1



Appendix C: Specifications

Power Data

Table C-1

Width	Catalog Number	Normal Operating Power (Watts) ¹
3'	3x239xx01, 21	213 W
	3x239xx-11, 31, 41, 51, 61, 71	213 W
4'	3x249xx01, 21	253 W
	3x249xx-11, 31, 41, 51, 61, 71	253 W
5'	3x259xx01, 21	335 W
	3x259xx-11, 31, 41, 51, 61, 71	335 W
6'	3x269xx01, 21	518 W
	3x269xx-11, 31, 41, 51, 61, 71	518 W

¹ Values are for new product with clean filters (light and blower on), and may vary +/- 10%

Motor Specifications

Table C-2

Product Size	Electrical Requirements
All 3' and 4' Cabinets, all Voltages	<p>1/2 H.P. Electronically Commutated Motor (ECM)</p> <p>120-277 VAC – 50/60 Hz,</p> <p>Full Torque – 42 Oz.-Ft (3.56 N-M)</p> <p>7.7 Full Load Amps @115VAC</p> <p>4.3 Full Load Amps @230VAC</p> <p>Automatic Thermal Protection</p>
All 5' and 6' Cabinets, all Voltages	<p>3/4 H.P. Electronically Commutated Motor (ECM)</p> <p>120-277 VAC – 50/60 Hz,</p> <p>Full Torque – 66 Oz.-Ft (5.59 N-M)</p> <p>9.6 Full Load Amps @115VAC</p> <p>6.8 Full Load Amps @230VAC</p> <p>Automatic Thermal Protection</p>

Environmental Conditions

- Indoor use only
- Ambient temperature range: 41° to 104°F (5° to 40°C)
- Maximum relative humidity: 80% for temperatures up to 88°F (31°C), decreasing linearly to 50% relative humidity at 104°F (40°C)
- Main supply voltage fluctuations not to exceed $\pm 10\%$ of the nominal voltage
- Transient overvoltages according to Installation Categories II (Overvoltage Categories per IEC 1010). Temporary voltage spikes on the AC input line that may be as high as 1500V for 115V models and 2500V for 230V models are allowed
- Used in an environment of Pollution degrees 2 (i.e., where normally only non-conductive atmospheres are present). Occasionally, however, a temporary conductivity caused by condensation must be expected, in accordance with IEC 664

Appendix D: Quick Chart Reference

Table D-1

Model	3x239	3x249	3x259	3x269
Type	A2	A2	A2	A2
Cabinet Size (Feet)	3'	4'	5'	6'
Sash Opening (Inches)	9	9	9	9
Starting Serial Number ¹	1905	1905	1905	1905
Nominal Avg. Downflow (FPM)	55+/-5	55+/-5	55+/-5	55+/-5
Nominal Average Inflow (FPM)	105+/-5	105+/-5	105+/-5	105+/-5
Supply HEPA Data				
Labconco Catalog Number ⁴	3838400	3838401	3838402	3838403
Exhaust HEPA Data				
Labconco Catalog Number	3838500	3838501	3838502	3838503
Motor/Blower Data (2 ea)²				
Motor HP	1/2	1/2	3/4	3/4
LED Lamp/UV Lamp Data				
LED Lamps (2 each) ³	KT-LED 12T8-36GC-840-D	KT-LED 15T8-48GC-840-D	KT-LED 24T8-60GC-840-D	KT-LED 32T8-72GC-840-D
Color (°K)	4000	4000	4000	4000
Lumens	1200	1850	2400	3200
Glass Type	Frosted	Frosted	Frosted	Frosted
UV Lamp	G30T8	G30T8	G30T8	G30T8

1. The primary serial tag is on the lower right edge of the front dress panel. The secondary serial tag is located on the front of the electronics module on the top right side of the cabinet. The first two digits of the serial number are the year of production; the next two are the month. The next 5 digits are the sequence of production, and the letter following the serial number is the revision level of the cabinet.
2. Each motor must be programmed by Labconco for the appropriate width cabinet.
3. THIS PRODUCT USES DIRECT DRIVE T8 LED LAMPS INSTEAD OF FLUORESCENT LAMPS. THERE IS NO BALLAST; LINE VOLTAGE IS SUPPLIED TO THE LAMP SOCKETS.
4. Supply HEPA Filter part numbers listed are not for service/replacement ordering. Reference part numbers provided in Appendix A for ordering a service or replacement Supply HEPA Filter.



This product uses only LED direct drive lighting. Do NOT install fluorescent bulbs.

Appendix E: Installation Guide: Pure-Vu™ Seals and Stand-Still™ Isolation Platforms

For proper installation of the Pure-Vu Seal and Stand-Still Isolation Platforms on the Cell Logic+ biosafety cabinet with Scope-Ready Package, reference the following figures and instructions.

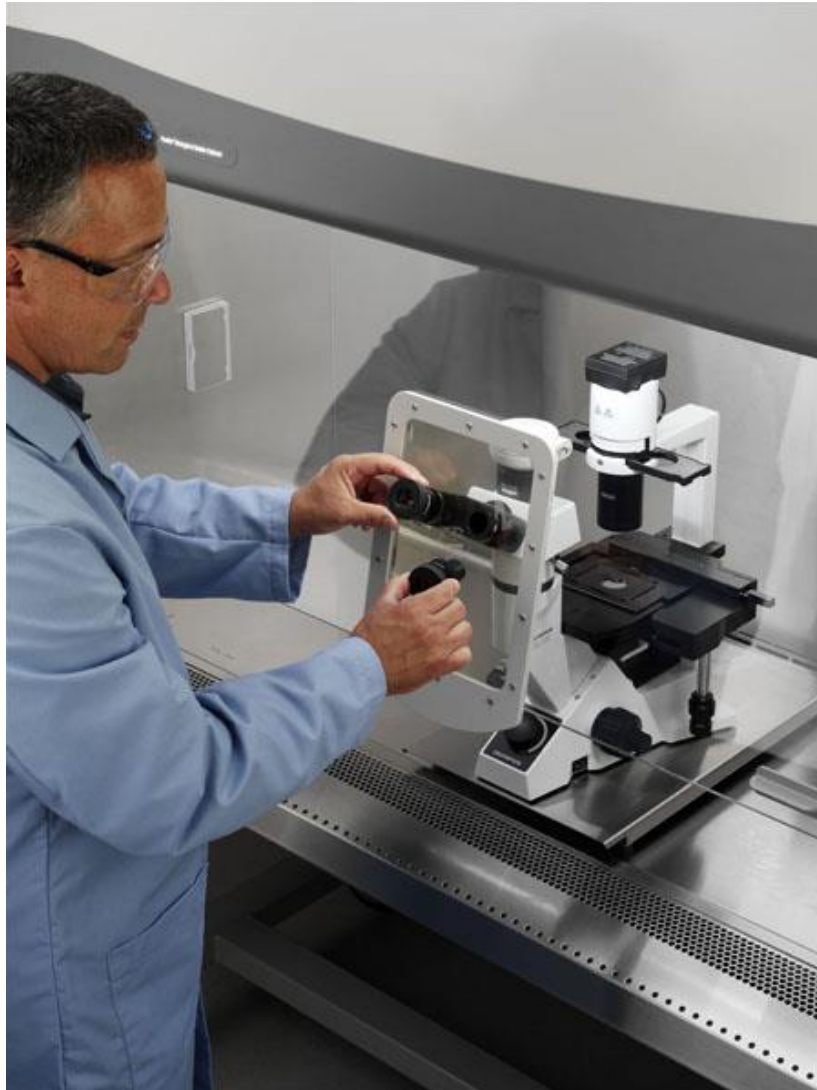
Figure E-1 also shows the proper placement of the Stand-Still Isolation Platform.

Figure E-1



Figure E-2 is an aid to show the Pure-Vu Seal fully installed with the eyepieces extended and sealed. Figure E-2 also shows the microscope moved forward into proper position on the Stand-Still Isolation Platform.

Figure E-2



Stereoscopes with forward extending bases and frequent eyepiece height adjustment typically require the selection of a Pure-Vu XL Seal and Stand-Still XL Isolation Platform. Figures E-3 through E-10 are an aid in setting up the pleated Pure-Vu XL Seal. Figures E-11 and E-12 show typical complete installations of stereo microscopes and proper placement of the Stand-Still XL Isolation Platform. Listed next are instructions for setting up the pleated design of the Pure-Vu XL Seal.

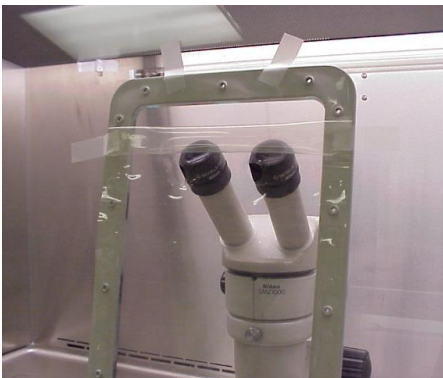
1. Per Figure E-3, with the outer aerodynamic collar removed, place the Pure-Vu XL Seal over the inner aerodynamic mounting collar. Locate the top five holes and secure with transparent tape as shown. Pure-Vu XL Seals allow for eyepiece height flexibility of +/- 2.0" (51 mm).

Figure E-3



2. Per Figure E-4, form the first pleat and secure with transparent tape. The seal shown has pre-cut eyepiece holes (Catalog Number 4027811) and is designed for the upper portion of the glass cutout. This upper portion of the glass cutout is used frequently with stereoscopes. However, should you need a pleat at the middle or lower position of the glass cutout, then the pleat can be moved lower when setting up the Blank Pure-Vu XL Seal (Catalog Number 4027810).

Figure E-4



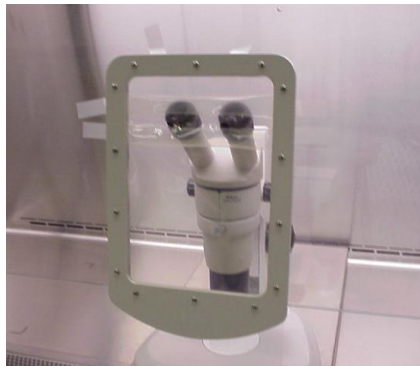
3. Per Figure E-5, form the second pleat and secure with transparent tape.

Figure E-5



4. Per Figure E-6 and Figure 4-8, place the Outer Aerodynamic collar over the Pure-Vu XL Seal and lightly secure in place with the 14 Phillips mounting screws. Do not tighten.

Figure E-6



5. Per Figure E-7, remove the transparent tape and then tighten the 14 Phillips mounting screws.

Figure E-7



6. Per Figure E-8, move the microscope forward through the holes in the Pure-Vu Seal and install each eyepiece. A tight seal should be formed around each eyepiece.

Figure E-8



7. Figure E-9 shows the finished installation.

Figure E-9



8. Per Figure E-10, adjust the scope eyepiece height for proper focus.

Figure E-10



9. Figure E-11 shows the completed installation of the Pure-Vu XL Seal and Stand-Still XL Isolation Platform for one scope manufacturer. The Pure-Vu XL Seals extend 5.5" below the aerodynamic collar.

Figure E-11



10. Figure E-12 shows a different installation of the Pure-Vu XL Seal and Stand-Still XL Isolation Platform for another scope manufacturer.

Figure E-12



11. Refer to [Section 9: Accessories](#) to order Pure-Vu Seals and Stand-Still Isolation Platforms and use [Section 4](#) and [Appendix E](#) as an aid for proper setup.

Pure-Vu Template

For the optics cutout locations on various pre-cut Pure-Vu Seals by Catalog Number, see Figure E-13.

Note: Not to scale, see Figure E-14 for a 1:1 scale drawing of these optics hole locations. The 1:1 scale drawing allows you to cut out the desired optics holes in the provided blank Pure-Vu Seal.

Figure E-13

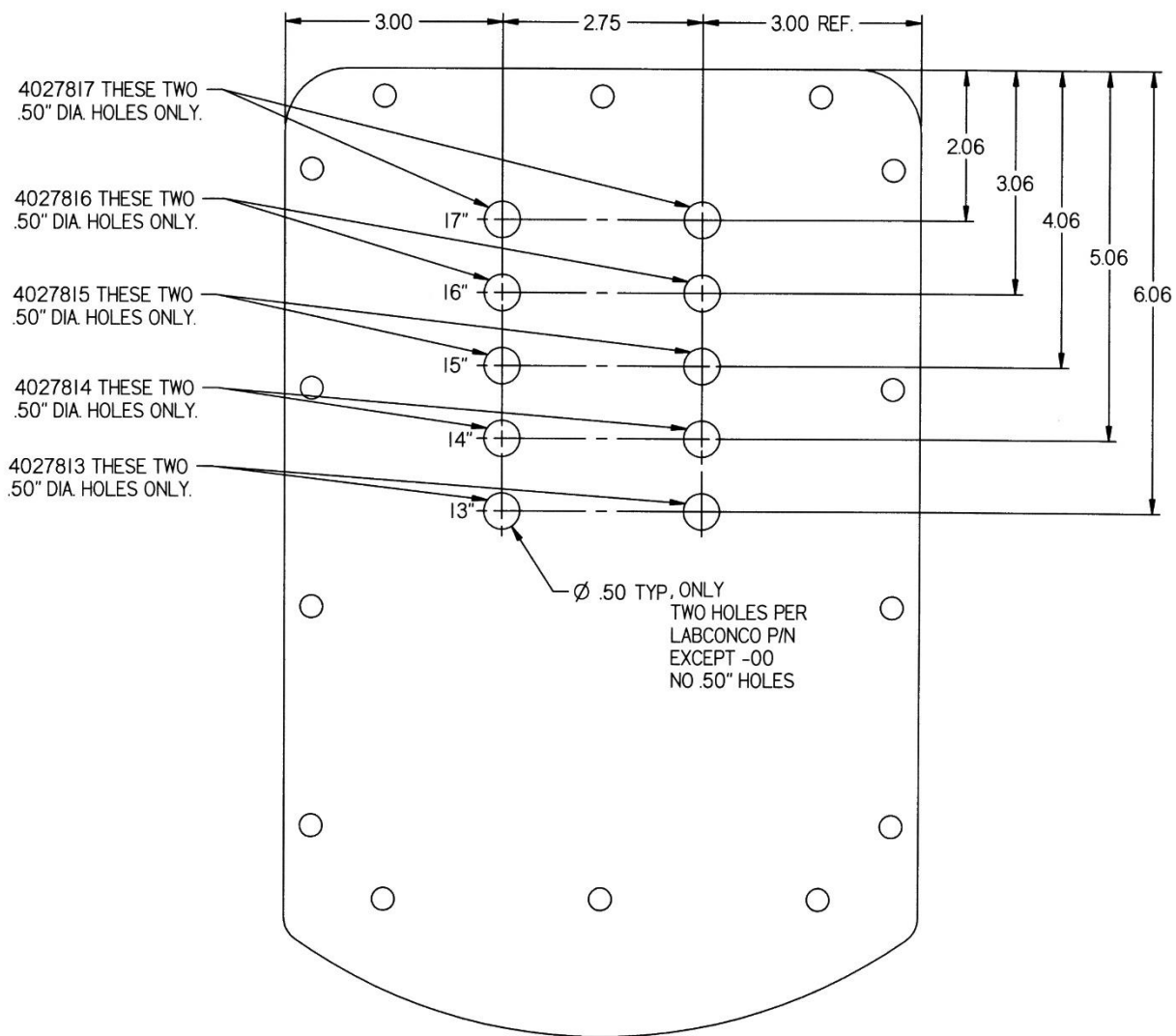
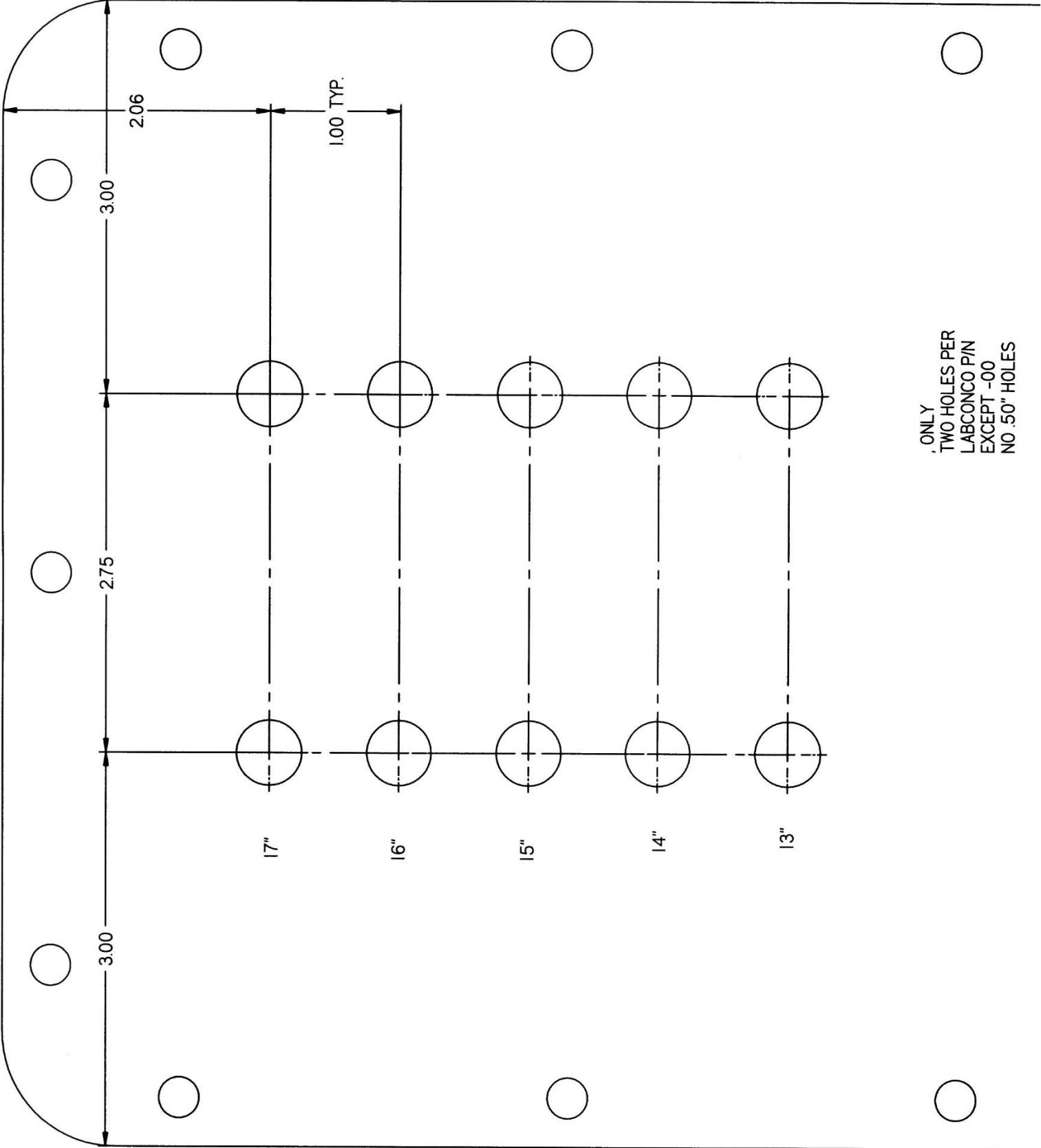


Figure E-14



ONLY
TWO HOLES PER
LABCONCO P/N
EXCEPT -00
NO .50" HOLES