

Logic® & Axiom® Class I & II Biological Safety Cabinets





Table of Contents

The Labconco Difference	3	Specialized Class II Biosafety Cabinets & Enclosures	16
Biosafety Cabinets At-a-Glance		Logic Class II, Type A2 Biosafety Cabinets	18
Steps to Selecting a Biosafety Cabinet	4	Logic Class II, Type B2 Biosafety Cabinets	22
Biosafety Cabinet Product Lines	5	Axiom Class II, Type C1 Biosafety Cabinets	26
Class II Biosafety Cabinets		Biosafety Cabinet Accessories	30
How It Works	7	Cell Logic Accessories	34
At-a-Glance	8	Exhaust Components	36
Logic Redefined	9	Class II Base Stands	38
Safety Features	10	Class I Biosafety Cabinet	42
Performance Features	11	Accessories	44
Comfort Features	12	Base Stands	46
Class II, Type C1 Biosafety Cabinets			
Overview	13		
Flexibility	14		
Safety	15		

The Labconco Difference: Over 50 Years of Biosafety Expertise.

Safety Elevated. Labconco Biosafety Cabinets (BSCs) provide a safe, clean work environment for your critical work. Every design element in the Logic cabinets raise the bar for safety. The Constant Airflow Profile (CAP) technology with 99.99+% HEPA filters, delivers ISO Class 5 clean air while continuously safeguarding you and your lab. Logic Biosafety Cabinets offer 24/7 protection with Night-Smart™ Mode, which maintains a clean work environment between uses with minimal energy consumption.

Performance-Driven Design. Enhance your workflow with Logic® OS, accessible through an intuitive 5-inch touchscreen display located inside the cabinet. Effortlessly monitor alerts and alarms, store data logs, and keep up with cabinet maintenance with a user experience unmatched by any other biosafety cabinet. BalanceFlow™ plenum technology extends filter life, reduces energy consumption by over 30%, and lowers noise for improved sustainability and comfort.

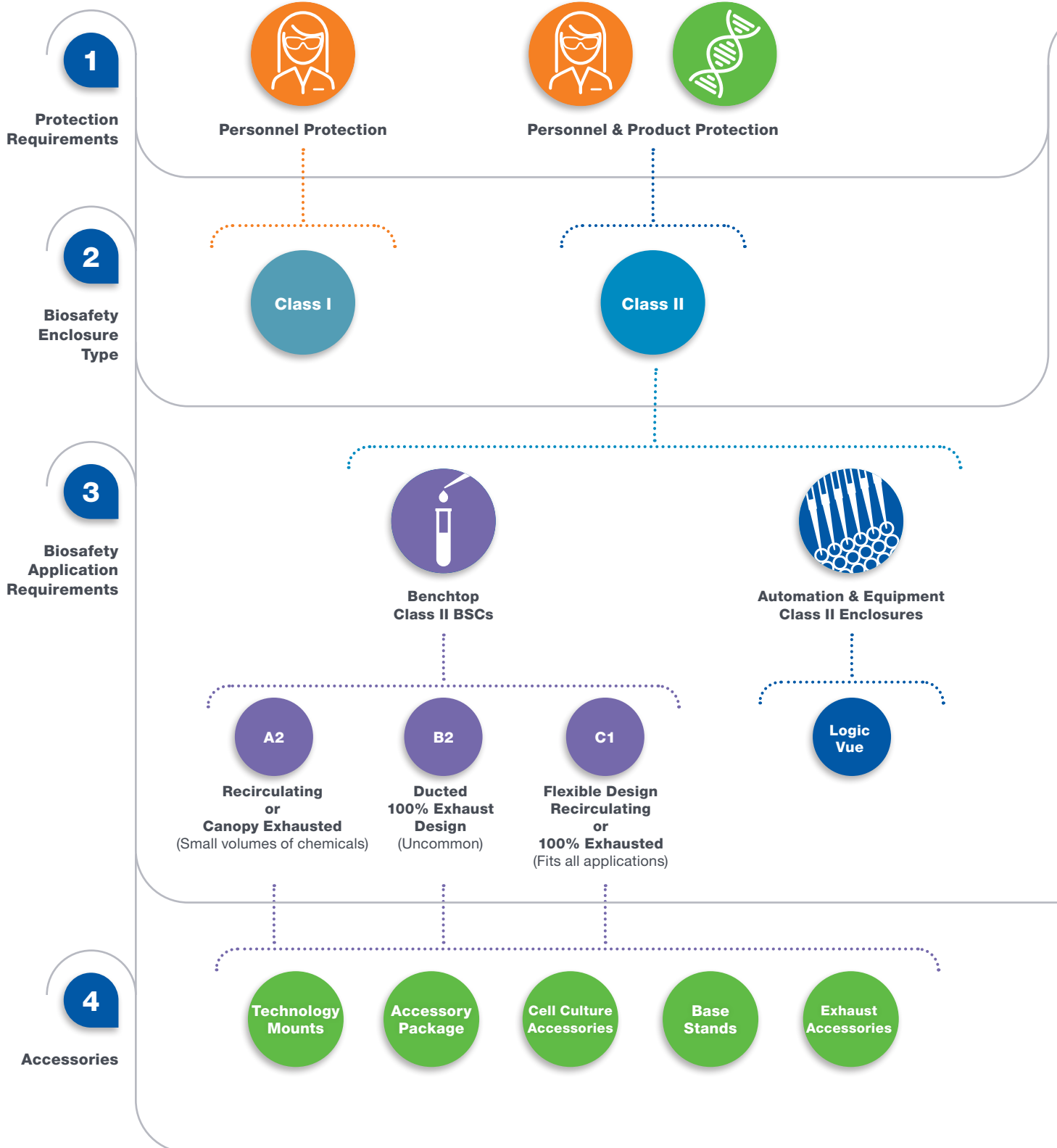
Proven Dependability. Our commitment to the longevity of your cabinet is reflected in every aspect of the Logic. Decades of design experience, high-quality materials, meticulous manufacturing, and robust components, such as our proven long-life blowers, ensure consistent, reliable performance for the long haul.

**Safety, performance, and dependability that you can trust –
That's the Labconco difference.**



Labconco Biosafety Cabinets & Enclosures

Steps to Selecting a Biosafety Enclosure



Labconco Biosafety Cabinets & Enclosures

Class I and II Products

Class II Biosafety Cabinets



Logic Type A2
Recirculated or Canopy Exhausted



Logic Type B2
100% Exhaust Only



Axiom Type C1
Recirculating or 100% Exhaust
Maximum Flexibility & Safety



Class I Biosafety Cabinet



Large Biosafety Enclosures



Logic Vue



Technology Mounts



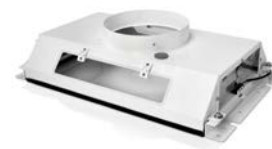
Accessory Package



Cell Culture
Accessories



Base Stands



Exhaust Accessories

Labconco Class II Biosafety Cabinets

At-a-Glance



	Logic Type A2	Logic Type B2	Axiom Type C1
Class II Protection	✓	✓	✓
Typical Applications	Work involving biohazardous samples Work involving minute volumes of chemicals*	All A2 applications, plus: Work with larger volumes of volatile chemicals	All A2 and B2 applications
Biosafety Level 1-4**	✓	✓	✓
Exhaust Requirement	Recirculate to room or Can exhaust with additional canopy connection and ductwork system	Requires dedicated external exhaust for operation***	Recirculating A Mode or 100% Vented B Mode with additional ductwork system
Flexibility	++	+	+++
Energy Requirements	\$	\$\$\$	\$
Additional safety protection during exhaust failure	—	—	✓
Complies with all common Class II regulatory standards	✓	✓	✓

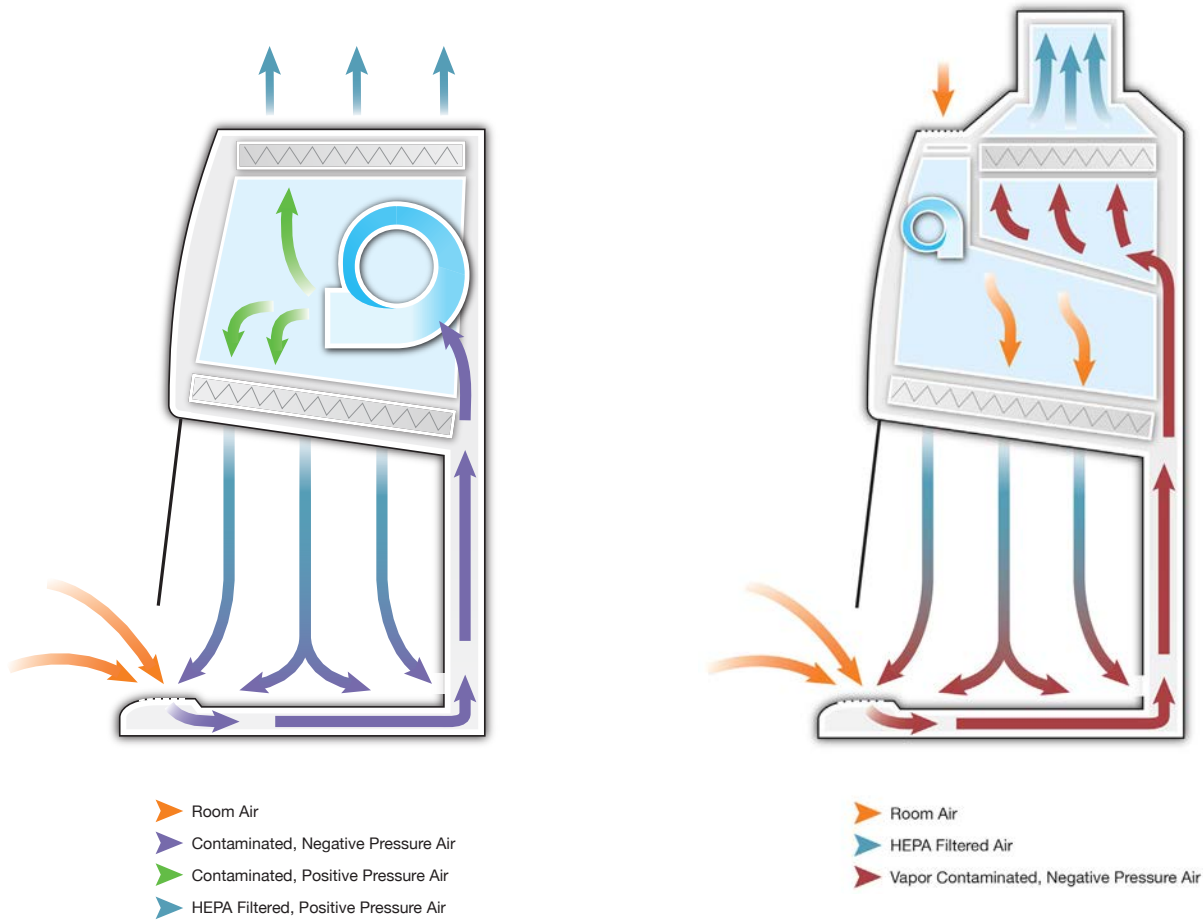
*Canopy connection and exhaust ductwork required.

**Biosafety in Microbiological and Biomedical Laboratories (BMBL) 6th Edition

***Dedicated ductwork required for each Type B2 cabinet per CETA CAG-007

Labconco Logic®

How It Works



Class II, Type A2 BSCs

Room air is drawn into the grille located in the air foil. The air in the area beneath the work surface is a mixture of unfiltered room air, and air that has just passed through the work area. This contaminated air is drawn by the blower through the back plenum of the cabinet, where approximately 70% of the air is recirculated through the supply HEPA filter and back over the work area. The balance of the contaminated air is discharged to the environment after passing through the exhaust HEPA filter.

Class II, Type B2 BSCs

Supply air enters the B2 from an inlet at the top of the cabinet and continues on flowing through the supply HEPA filter. Simultaneously, room air is drawn into the grille located in the air foil. The air in the area beneath the work surface is a mixture of unfiltered room air, and air that has just passed through the work area. This contaminated air is drawn by a remote blower connected to the B2 through exhaust ductwork. 100% of the air in this contaminated plenum is vented to the exterior of the building. Careful planning is required for B2 installations, whereas vented Type A2 and Type C1 cabinets provide substantial ease and safety.

Labconco Logic® Redefined



Labconco's Logic® Biosafety Cabinets have refined everything you've come to know about Class II BSCs. Top-tier safety elements, performance driven technology, and proven dependability are hallmarks of the all-new Logic. The result? Ultimate protection for you and your work — at all times.



Labconco Logic® Redefined



Class II – and beyond

Safety, performance and comfort like no other.

- Logic OS with touchscreen interface
- Sustainable and efficient – and then some
 - Industry leading airflow stability
 - Exceptionally low energy and noise*
- Inclination Technology™ – advanced ergonomics for all-day comfort
- Smooth, coved design for easy disinfection in critical environments.
- Full 6 year warranty.

Logic OS

Finally – get total control of your cabinet.

- Large 5" touchscreen display
- Line-of-site location for easy viewing
- Intuitive home screen with airflow, filter life, and alert messages
- Smart-Start™ & Night-Smart™ convenience modes
- Full data logs & certification records
- Particle counter alarm threshold monitoring
- Full remote connectivity for building management systems and more

*For models with single motor operation.

Labconco Class II Biosafety Cabinets

Safety Features



Unitized Construction – Welded 304 stainless steel hull and solid steel plenum are pressure tested and built to last.

HEPA Filters – Two 99.99+% efficient filters trap biohazards and produce an ISO Class 5 environment to keep users and their work safe.. ULPA and H14 HEPA filter option also available.

Easy to Decontaminate – Smooth, coved corners throughout interior and exterior.

Dished Work Surface with Prop Rod – Contains spills for easier cleaning. An integral prop rod holds the work surface in place for hands-free cleaning of the sump area.

Line-of-sight Touchscreen Display – Large 5" display clearly communicates cabinet status without the need to look away from critical work.

Logic® OS – Advanced cabinet control software clearly visualizes alert and alarm messages, highlighting impacted areas of the cabinet.

Vacu-Pass Cord & Cable Portal – Designed for easy passage of a cables through right- or left-side wall. Included on models with Accessory package.



Line-of-Sight Display with Logic OS.

Logic OS – Keeping You Safe



Sash Alarm display on Logic OS.

Labconco Class II Biosafety Cabinets

Performance Features

Smart, sustainable

Labconco BSCs save on energy while providing longevity and comfort. Logic® and Axiom® BSCs are powered by innovative Electronically Commutated Motor (ECM) technology that makes a difference.

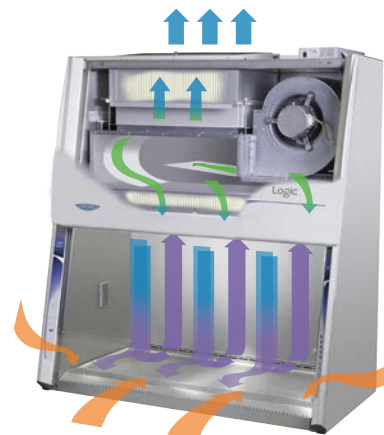
- 30% more efficient than prior models
- Industry-low noise for single-blower cabinets, providing comfortable lab conditions
- 15+ year average motor life eliminates service costs
- 10+ year filter life reduces expensive replacement costs
- Generates less heat for cooler working conditions



Advanced air stability

Constant Airflow Profile™ (CAP) and BalanceFlow™ set a new standard in BSC airflow control to keep you safe. Auto-adjusting airflow ensures your BSC never misses a beat while you work, and the infinitely adjustable BalanceFlow plenum ensures even distribution throughout the work area.

- CAP auto-adjusts BSC airflows as filters load to keep you safe
- Precise operation keeps BSC airflows within 2% of their original setpoint
- Eliminates the need for airflow sensors, which are less accurate and require recalibration annually



- Room Air
- HEPA-Filtered Air
- Unfiltered Air Under Negative Pressure
- Unfiltered Air Under Positive Pressure

Operating Cost Comparison

BSC Energy Usage*	Labconco A2	Other Cabinet A	Other Cabinet B	Other Cabinet C
Motor Type	ECM	AC 3-Phase	ECM	ECM
Energy Consumption (watts)	180	414	299	180
Annual Energy Cost**	\$49.53	\$113.93	\$82.28	\$49.53
Annual Certification	\$250	\$250	\$250	\$250
Filter Change(s)	\$1,500	\$1,500	\$1,500	\$3,000
15-year Operational Cost	\$5,993	\$6,959	\$6,484	\$7,493

*Based on 4-ft, 8" sash opening BSC, recirculating

**Based on 8-hr day, 2080 hours per year at \$0.1323/kWh

Labconco Class II Biosafety Cabinets

Comfort Features



Line-of-Sight Display and Touch-Pad Controls – Full control is within reach while seated.

Service Fixtures, Outlets, and Controls – All within reach and ADA compliant*. Helping with accessibility and cleanability to prevent unnecessary contamination.

Curved Inlet Grille – Provides comfortable area to rest arms. No additional armrests are needed.

Quiet ECM Blower – Exceeds NSF requirements for quiet operation and runs cooler than other comparable motors.

Bright LED Lighting – Illuminates the interior up to 180 foot-candles (1,937 lux) for maximum visibility.

Work Surface Prop Rod – Holds work surface upright when deep cleaning.

Hydraulic Base Stands – Provides flexibility to adjust the work height to accommodate many users.



Electrical Outlet Cover – Can be opened with one finger and then gently and slowly self-closes. Mounts flush and flat against the side wall for complete decontamination.



Mag-Zone™ Area** – Increases accessibility, organization and improves cleaning protocols. Attach Labconco stainless-steel, magnetic accessories for pipettes, pipette aid or a waste bag.

* Meets requirements for Americans with Disabilities Act Standards for Accessible Design

** Logic & Cell Logic models.

Labconco Class II, Type C1 Biosafety Cabinets

Overview



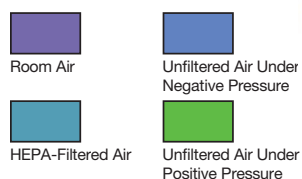
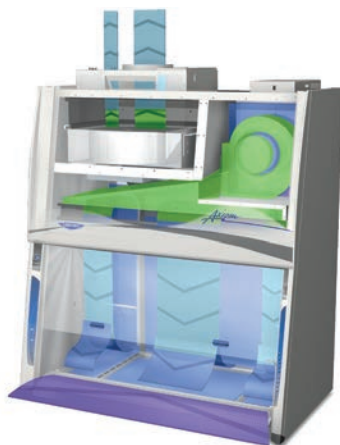
Unmatched Safety, Flexibility, and Sustainability

The Type C1 BSC is the next generation BSC you've been waiting for. The first new BSC style in more than 25 years, the Type C1 is designed to flex and grow with you. This unique cabinet helps your lab adapt to whatever comes next, while providing safety and efficiency unavailable in

other cabinet types. The first and only cabinet that can switch between A Mode and B Mode, the Axiom Class II, Type C1 sets a new standard. NSF 49 approved, the Axiom provides a whole new experience in the same Labconco design you've grown accustomed to using.

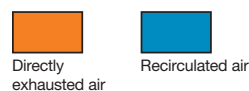
A mode

When operated in A Mode, room air is drawn into the inlet grille and directed below the plenum of the work surface where it mixes with air that has passed over the areas on either side of the Chem-Zone. This contaminated air mixture is drawn through the back plenum where it is recirculated through the supply HEPA filter and back over the work area. Air passing over the Chem-Zone is directed through the exhaust HEPA filter and returned to the room.



B mode

When operated in B Mode, 100% of the air passing over the Chem-Zone is directed through the exhaust HEPA filter and delivered to the ductwork where house exhaust can take over. Air passing over the areas on either side of the Chem-Zone is recirculated through the cabinet.



Labconco Class II, Type C1 Biosafety Cabinets

Flexibility

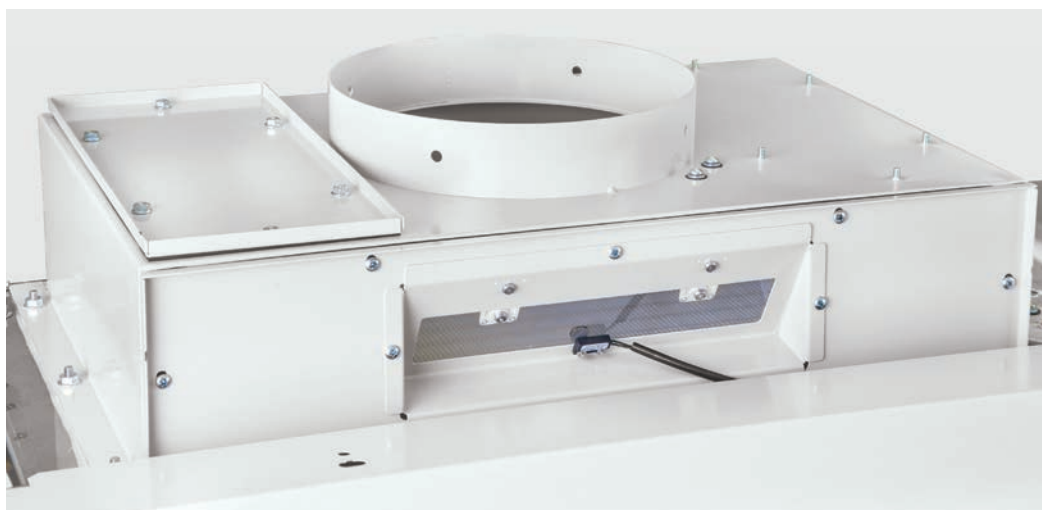
Omni-Flex™ Design

Unlike Type A2, B1 and B2 cabinets, the Axiom can adapt as needs change. Omni-Flex allows for installation in recirculating A Mode or in ducted B Mode for use with hazardous vapors. If your applications change, simply connect or disconnect the Axiom from exhaust.

The Axiom can be tied into almost any existing building ventilation system with sufficient exhaust reserve. Unlike B cabinets, no costly, dedicated remote blower and dedicated ductwork are required. The blower for a B1 or

B2 cabinet must be oversized to account for an increase of 4.0" w.g. or greater as the exhaust HEPA filter loads. Because the total exhaust area of the Axiom is limited to the Chem-Zone, exhaust air volume is reduced to ≈40% of a standard Class II, Type B1 or B2.

The Axiom's dedicated exhaust blower delivers air to the building exhaust at ≈0.3" w.g. throughout the life of the cabinet. The table below shows the reduced upfront installation cost compared to a Type B1 or B2.



To switch from B Mode to A Mode, disconnect the cabinet from the ductwork and move the plate from the left side of the exhaust collar to the right. Use the MyLogic Software to program the cabinet for A Mode and have the cabinet recertified. To switch from A Mode to B Mode, connect the cabinet to ductwork, move the plate from the right side to the left side, use the MyLogic Software to change the programming and have the cabinet recertified.

Installation and Operating Cost Comparison

15 Year Costs*	Type A2	Type A2 With Canopy	Type B1	Type B2	Axiom Type C1	
					In A Mode	In B Mode
Upfront Installation	\$300	\$400	\$5,150	\$5,150	\$300	\$400
Lifetime Maintenance	\$4,500	\$4,500	\$4,500	\$4,500	\$4,500	\$4,500
Lifetime Operation	N/A	\$40,500	\$40,500	\$87,000	N/A	\$42,000
Estimated Total Cost	\$4,800	\$45,400	\$50,150	\$96,650	\$4,800	\$46,900

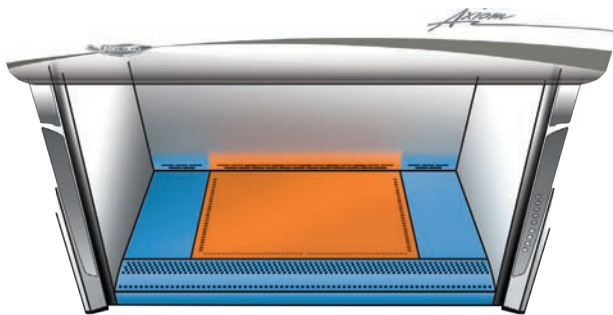
*Upfront installation costs include labor, ductwork, blower (where applicable) and electrical hook up. Lifetime maintenance costs include HEPA filters and annual certification. Lifetime operation cost is cost of exhausted air of \$8/year/CFM for 15 years.

Labconco Class II, Type C1 Biosafety Cabinets

Safety

Chem-Zone™ Work Surface

The key to the Axiom® is its unique work surface. The surface consists of three pieces—the Chem-Zone dished center and two flat sides. The surface layout promotes the proper technique of organizing your work flow from clean to dirty. The Chem-Zone middle gives you ample room to perform your critical operations while containing spills. The ends function as storage for consumables and waste.



Shown in orange, the Chem-Zone is dished and delineated by airflow slots. Chem-Zone provides the primary working area for critical operator actions. The surfaces on either side of the Chem-Zone serve as staging areas.

When the Axiom is in A Mode, the filtered air is simply recirculated back into the lab. A Mode functions just as a Type A2 cabinet. When the Axiom is operated in B Mode, all chemical vapors and particulates generated from work in the Chem-Zone area are ensured a direct path to the exhaust filter, similar to how a B2 cabinet functions. One hundred percent of air is exhausted to the outside. Inflow air at the front grille and air from either side of the Chem-Zone are recirculated to save energy when operating in B Mode.

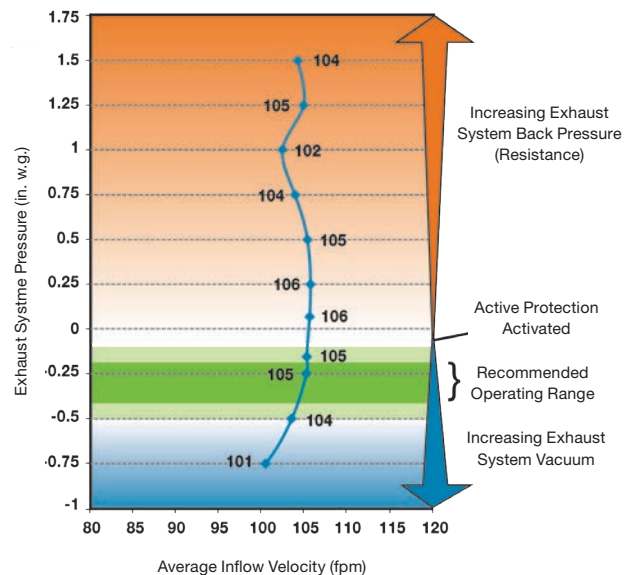
Active Protection Protocol (APP)

Provides an additional level of user safety only found on the Axiom Type C1 BSC. Designed to extend cabinet operation during building exhaust failure, APP utilizes the Axiom's dual intelligent CAP™ motors to keep the BSC running safely in the event of a building exhaust failure.

Exhausted BSC Safety - Remote Exhaust Failure		
	Biological Safety	Chemical Safety
Type A2	Yes	No
Type B2	No	No
Type C1	Yes	Yes

Should the building exhaust fail, the Axiom will begin Active Protection Protocol within 1 second. Safe airflows are maintained for up to five minutes, even with a completely dead remote exhaust blower. 4' Axiom models can exceed a static pressure of 1.5" w.g., which equates to 2,100' of straight 10" dia. duct. The 6' Axiom handles up to 1.0" w.g., which equates to 650' of straight 10" dia. duct.

Active Protection Protocol Inflows as Exhaust System Pressure Varies



Specialized Class II Biosafety Cabinets & Enclosures



Stainless Steel Exterior – Type 304 stainless steel exterior for critical environments. Purifier Logic model shown.



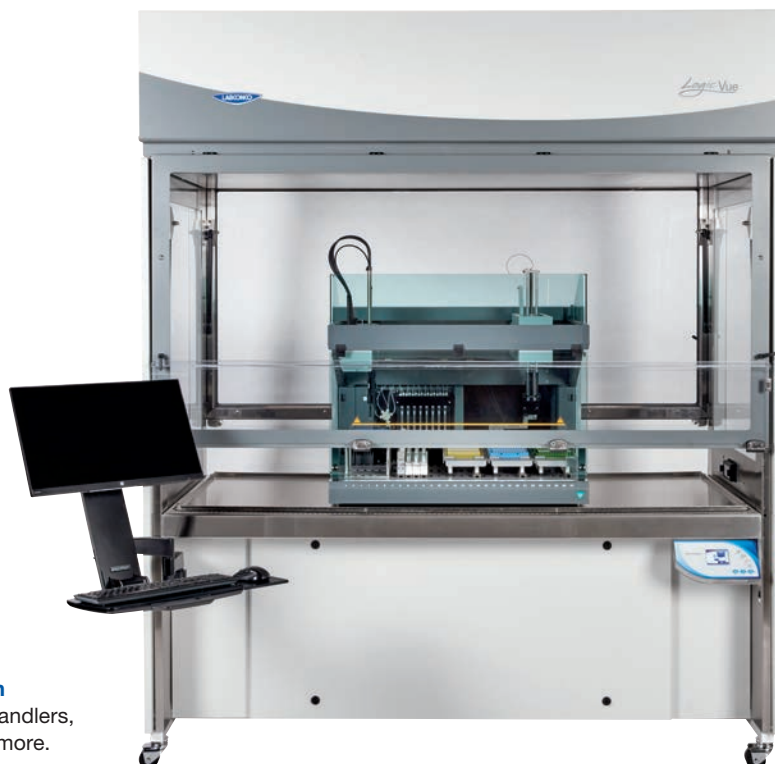
Integrated Display Screen – Easily implement pharmacy IV verification systems and other protocol-driven work.



Environmental Monitoring – Solutions for non-viable and viable sampling in aseptic GMP environments.

Specialized Class II Biosafety Cabinets & Enclosures

Logic® Vue Class II Enclosure



Designed for instrumentation
including liquid handlers, cell sorters, and more.

Meets NSF/ANSI 49
requirements for personnel and product protection.

Ergonomic design
Ergonomic design allows setup for standing or sitting positions with built-in knee space.

HEPA supply and exhaust
filters are minimum 99.99% efficient (at 0.3 microns), providing ISO Class 5 or better air.

CAP™ Technology
continuously monitors and adjusts airflow to keep users safe.

Dual full-open sashes
provide easy access for equipment loading and servicing.

Front sash opening
provides unobstructed access to entire work surface during operation.

Stainless steel interior
Type 304 construction with reinforced work surface for easy decontamination.

Versatile design
Maximum visibility, pass-throughs, access doors, and monitor & keyboard arm compatible.

Ships fully assembled
Simplified installation with modular design to fit through standard doorways.



Brochure



Product Information

Logic® Class II, Type A2 Biosafety Cabinets

Features & Benefits

Class II Airflow

Provides Personnel, Product, and Environmental protection from hazardous pathogens and particles.

Type A2

- Approximately 70% Recirculated, 30% Exhausted
- Recirculating or Canopy Ducted

NSF 49 Listed

Each Labconco Class II BSC exceeds globally recognized performance and construction requirements.

Unitized Construction

A welded 304 stainless steel cabinet hull, dished work surface, and solid steel plenum are built to last.

Long-Life HEPA Filters

Dual filters are 99.99+% efficient (at 0.3 microns), providing ISO Class 5 or better air.

Sustainable Design

Each cabinet is constructed with more than 70% recycled materials. An ECM motor and LED lighting consume as little as 150 watts.

Inclination Technology

A sloped sash, curved airfoil that functions as armrest, large working area, and eye-level display maximize comfort.

Logic OS

Conveniently displays all cabinet information on a bright 5" line-of-sight touchscreen.

Constant Airflow Profile™ (CAP)

Continuously monitors and maintains safe inflow and downflow to protect users and samples.

Advanced ECM Blower

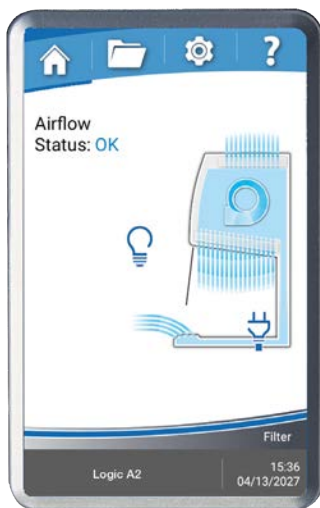
Combined with CAP™ technology, reduces energy consumption and noise, improving user comfort and safety.

Mag-Zone™ Area

Unique storage area organizes your BSC and improves cleanability. Holds multiple accessories for pipettes, biohazard waste, and more.

Effortless Disinfection

304 stainless steel interior withstands routine disinfection. Coved corners and dished work surface are easily cleanable.



Logic OS Information Center

Touchscreen Display

Large 5" screen clearly visualizes cabinet conditions for effortless monitoring of cabinet behaviors.

Filter Life Indicator

Accurately displays remaining HEPA filter life. Alerts users at 20% and 10% before alarming at 0%.

Airflow Status

Displays current status of airflow within cabinet for consistent confirmation of safety.

Smart-Start™

Automatically start and stop your cabinet blower and lights by simply moving the sash.

Night-Smart™

Keeps the cabinet interior clean between uses with minimal energy use.

Alerts & Alarms

Large, clear visual and audible signals notify users of unsafe cabinet conditions.

User Convenience

Logic OS includes a programmable experiment and UV light timer, data logging and a full certification menu.

Data Logging & Connectivity

Export system data logs and records via USB, or connect to Logic OS remotely for 24/7 cabinet monitoring with Remote Communication Board accessory.

Logic® Class II, Type A2 Biosafety Cabinets

Ordering Information

Catalog Number Configurator:

Use this key to configure the nine digit catalog number to order your Logic or Cell Logic Class II, Type A2 Biosafety Cabinet.



Select **CELL LOGIC PACKAGE(S)**. This is the second digit of your catalog number.

- 0 = None
- 2 = Temp-Zone. Fifth digit is 9 and sixth digit is 1
- 3 = Scope-Ready. Fifth digit is 9 and sixth digit is 1
- 4 = Temp-Zone and Scope-Ready. Fifth digit is 9 and sixth digit is 1

Select the **WIDTH** of your cabinet. This is the fourth digit of your catalog number.

- 3 = 3' 4 = 4' 5 = 5' 6 = 6'

Select the **SASH OPENING HEIGHT**. This is the fifth digit of your catalog number.

- 1 = 10" (25.4 cm) 2 = 12" (30.5 cm)
- 8 = 8" (20.3 cm) 9 = 9" (22.9 cm) - Cell Logic only

Select the **ACCESSORY PACKAGE** option. This is the sixth digit of your catalog number.

- 0 = None
- 1 = Includes factory-installed right-side service fixture, UV lamp and a Vacu-Pass™ Cord & Cable Portal on each side. Package standard on all Cell Logic models.

Select the **TELESCOPING BASE STAND** option. This is the seventh digit of your catalog number.

- 0 = None
- 1 = Included

Select the **ELECTRICAL CONFIGURATION** and **PLUG TYPE**. These are the eighth and ninth digits of your catalog number.

- 02 = 115V, 15/20A, 60 Hz, with plug for North America
- 12 = 230V, 50/60 Hz, with plug for North America
- 22 = 100V, 15/20A, 50/60 Hz, with plug for Japan
- 32 = 230V, 50/60 Hz, with Schuko plug
- 42 = 230V, 50/60 Hz, with plug for China/Australia
- 52 = 230V, 50/60 Hz, with plug for Great Britain (UK)
- 72 = 230V, 50/60 Hz, with plug for India

Plug Configurations



115V, 15A
for North America
100V, 15A for Japan
(3' and 4' widths)



115V, 20A
for North America
100V, 20A for Japan
(5' and 6' widths)



230V
for North America



230V
Schuko



230V
for China/Australia



230V
for Great Britain (UK)



230V
for India

Technical Specifications

Nominal Width	Energy Requirements*		Watts				Shipping Weight	Shipping Weight with Stand
	100V or 115V	230V	8"	9"	10"	12"		
3'	12A	6A	150	158	165	195	621 lbs. (282 kg)	697 lbs. (316 kg)
4'	12A	6A	180	193	205	240	725 lbs. (329 kg)	808 lbs. (367 kg)
5'	16A	8A	205	238	270	340	862 lbs. (391 kg)	953 lbs. (432 kg)
6'	16A	8A	350	385	420	490	992 lbs. (450 kg)	1091 lbs. (495 kg)

* Dedicated, non-GFI outlet required. Acceptable voltage range +/-10% nominal value.

Logic® Class II, Type A2 Biosafety Cabinets

Specifications



All models feature:

- Long-life DC Electronically Commutated Motor (ECM)
- * Constant Airflow Profile™ (CAP) airflow monitoring system
- * BalanceFlow™ plenum provides energy-efficiency and ultra-quiet operation*
- * Easy clean top cover that promotes even exhaust airflow from the top cover
- * Mag-Zone™ area on interior right side manages storage challenges with Labconco Magnetic Mag-Zone accessories
- Intrinsically-safe negative pressure design
- Fully scannable 99.99+% supply and exhaust HEPA filters. 99.999% efficient ULPA filters or H14 HEPA filters also available
- * Logic OS and 5" interior-mounted, line-of-sight touchscreen information center with:
 - Smart-Start™ System allows user to start up and shut down cabinet functions by raising and lowering the sash
 - Night-Smart™ System for idling the blower when the sash is fully closed
 - Full operational maintenance and certification logs for detailed record keeping
 - Status line for alarm conditions and alerts to warn when filter life diminishes to 20% and 10% before alarming at 0%
 - Interval/elapsed timer for experiment monitoring
 - UV light timer (on models with UV)
 - Password protection for cabinet settings
 - 8 Languages
- Bright, glare-free LED lighting up to 180 foot-candles (1937 lux). Located outside the contaminated work area
- * Curved, stainless steel inlet grille with waterfall design and Reserve-Air™ Secondary Airflow Slots
- * Air-Wave™ Entry System at access opening to enhance containment

* Labconco exclusive feature

- * Contain-Air™ Negative Pressure Channel at top of sash to enhance containment
- * Two electrical outlets. Flush mounted stainless steel cover with dampened hinges
 - 115V GFCI, double receptacles, maximum amperage draw 5A
 - 230V, single receptacles, maximum amperage draw 3A
- 10° angled, fully closing sash. 1/4" tempered safety glass with counterbalanced, anti-racking, easy-to-lift mechanism
- Unitized, pressure tested stainless steel interior. Optic White epoxy-coated steel exterior
- Removable towel catch located under work surface
- 8", 10", or 12" (20.3, 25.4, or 30.5 cm) working sash height
- * 22.5" (57 cm) max. sash opening & 27.0" (69 cm) viewing height
- Removable, seamless type 304 stainless steel, dished work surface with lift out knobs
- Nominal inflow velocity of 105 fpm (0.53 m/sec)
- Nominal downflow velocity of 55 fpm (0.28 m/sec). 6' x 12" sash models nominal downflow velocity of 50 fpm (0.25 m/s)
- Approximately 70% air recirculation
- Noise level <60 dB (4ft 10" model)
- 10' (3 m) power cord with plug
- Six year warranty

Models conform to the following standards:

- NSF/ANSI Standard 49 listed
- NSF/ANSI 49 compliant (Cell Logic models)
- ISO Class 5 (Grade A) per ISO 14644-1
- UL Standard 61010-1
- CAN/CSA 22.2 No. 61010-1
- CE/UKCA Mark (230V models)
- * ADA-compliant

Options include:

- Unassembled, NSF-approved, epoxy-coated steel, non-welded telescoping base stand with leveling feet
- Accessory Package: UV lamp (254 nm), right-side service fixture with ball-type valve and right and left-side Vacu-Pass™ Cord & Cable Portal
- Ventus™ II Canopy Connection: See page 37
- Cell Logic Packages: See page 34-35

All models require (not included):

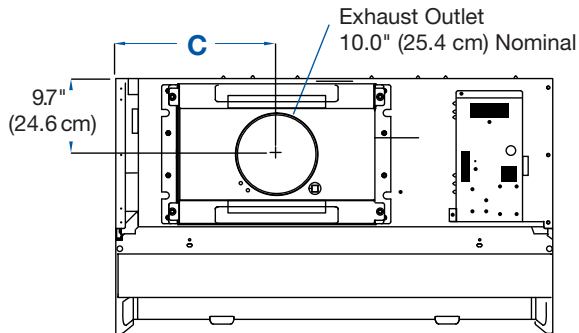
- Supporting base if non-welded stand option is not selected

*U.S. Patent Pending

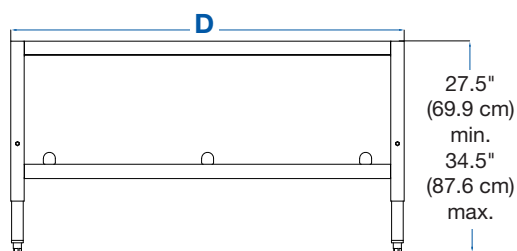
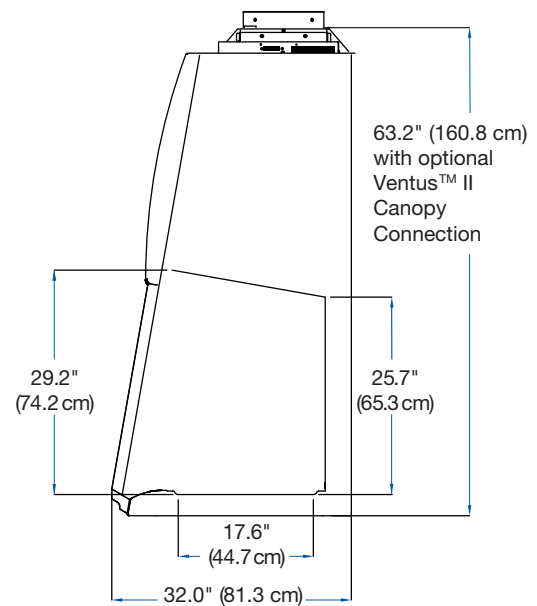
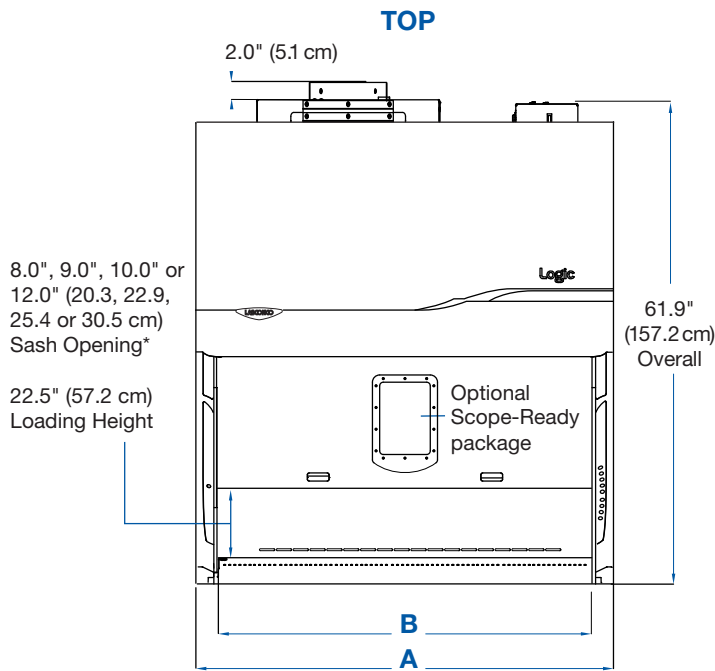


Logic® Class II, Type A2 Biosafety Cabinets

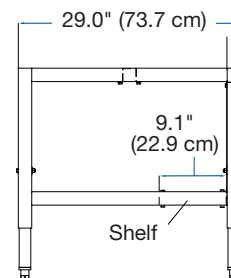
Dimensional Data



Nominal Width	A	B	C	D
3'	42.4" (107.7 cm)	36.5" (92.7 cm)	14.5" (36.8 cm)	38.5" (97.8 cm)
4'	54.4" (138.2 cm)	48.5" (123.2 cm)	19.9" (50.5 cm)	50.5" (128.3 cm)
5'	66.4" (168.7 cm)	60.5" (153.7 cm)	26.8" (68.1 cm)	62.5" (158.8 cm)
6'	78.4" (199.1 cm)	72.5" (184.2 cm)	32.9" (83.6 cm)	74.5" (189.2 cm)



FRONT



SIDE

*Sash opening working height varies. All Cell Logic Class II, Type A2's have a 9.0" working height. Remaining models have either an 8.0", 10.0" or 12.0" working height.
Note: Shown without A2 (recirculating) Easy-Clean exhaust cover. Overall height with Easy-Clean cover is 61.9".

Logic® Class II, Type B2 Biosafety Cabinets

Features & Benefits

Class II Airflow

Provides Personnel, Product, and Environmental protection from hazardous pathogens and particles.

Type B2

- 100% Ducted (no recirculation)
- Requires dedicated ductwork and remote blower

NSF 49 Listed

Each Labconco Class II BSC exceeds globally recognized performance and construction requirements.

Unitized Construction

A welded 304 stainless steel cabinet hull, dished work surface, and solid steel plenum are built to last.

Long-Life HEPA Filters

Dual filters are 99.99+% efficient (at 0.3 microns), providing ISO Class 5 or better air.

Sustainable Design

Each cabinet is constructed with more than 70% recycled materials. An ECM motor and LED lighting consume as little as 105 watts.

Inclination Technology

A sloped sash, curved airflow that functions as armrest, large working area, and eye-level display maximize comfort.

Logic OS

Conveniently displays all cabinet information on a bright 5" line-of-sight touchscreen.

Seamless Exhaust

Integrated board ensures easy communication between cabinet and remote blower. Software directly communicates with Labconco Spectrum Blower.

Advanced ECM Blower

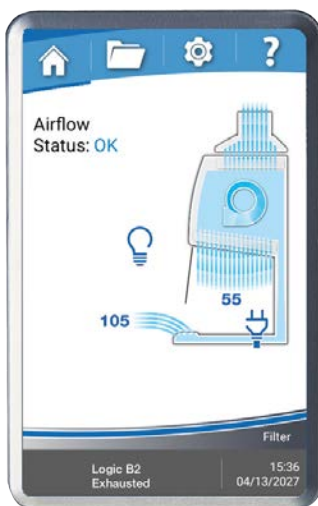
Combined with CAP™ technology, reduces energy consumption and noise, improving user comfort and safety.

Mag-Zone™ Area

Unique storage area organizes your BSC and improves cleanability. Holds multiple accessories for pipettes, biohazard waste, and more.

Effortless Disinfection

304 stainless steel interior withstands routine disinfection. Coved corners and dished work surface are easily cleanable.



Logic OS Information Center

Touchscreen Display

Large 5" screen clearly visualizes cabinet conditions for effortless monitoring of cabinet behaviors.

Filter Life Indicator

Accurately displays remaining HEPA filter life. Alerts users at 20% and 10% before alarming at 0%.

Airflow Status

Displays current status of airflow within cabinet for consistent confirmation of safety. Displays realtime inflow and downflow values.

Smart-Start™

Automatically start and stop your cabinet blower and lights by simply moving the sash.

Alerts & Alarms

Large, clear visual and audible signals notify users of unsafe cabinet conditions.

User Convenience

Logic OS includes a programmable experiment and UV light timer, data logging and a full certification menu.

Data Logging & Connectivity

Export system data logs and records via USB, or connect Logic OS remotely for 24/7 cabinet monitoring.

Logic® Class II, Type B2 Biosafety Cabinets

Ordering Information

Catalog Number Configurator:

Use this key to configure the nine digit catalog number to order your Logic or Cell Logic Class II, Type B2 Biosafety Cabinet.

3 3 8

Select the **CELL LOGIC PACKAGE(S)**. This is the second digit of your catalog number.

0 = None

2 = Temp-Zone package. Sixth digit is 1

3 = Scope-Ready package. Sixth digit is 1

4 = Temp-Zone and Scope-Ready packages.
Sixth digit is 1

Select the **WIDTH** of your cabinet. This is the fourth digit of your catalog number.

4 = 4' 6 = 6'

Select the **ACCESSORY PACKAGE** option: This is the sixth digit of your catalog number.

0 = None

1 = Includes factory-installed right-side service fixture, UV lamp and a Vacu-Pass™ Cord & Cable Portal on each side. Package standard on all Cell Logic models.

Select the **TELESCOPING BASE STAND** option. This is the seventh digit of your catalog number.

0 = None

1 = Included

Select the **ELECTRICAL CONFIGURATION** and **PLUG TYPE**. These are the eighth and ninth digits of your catalog number.

02 = 115V, 15A, 60 Hz, with plug for North America

12 = 230V, 50/60 Hz, with plug for North America

22 = 100V, 15A, 50/60 Hz, with plug for Japan

32 = 230V, 50/60 Hz, with Schuko plug

42 = 230V, 50/60 Hz, with plug for China/Australia

52 = 230V, 50/60 Hz, with plug for Great Britain (UK)

72 = 230V, 50/60 Hz, with plug for India

Plug Configurations



115V, 15A
for North America
100V, 15A for Japan



230V
for North America



230V
Schuko



230V
for China/Australia



230V
for Great Britain (UK)



230V
for India

Technical Specifications

Nominal Width	Exhaust Volume Initial Static Pressure*	Energy Requirements** (Dedicated, non-GFI outlet required)		Watts	Shipping Weight	Shipping Weight with Stand
		100V or 115V	230V			
4'	818 CFM @ 1.8" w.g.	12A	6A	105	728 lbs. (330 kg)	811 lbs. (368 kg)
6'	1382 CFM @ 2.5" w.g.	12A	6A	359	992 lbs. (450 kg)	1091 lbs. (495 kg)

* Concurrent Balance Values (CBV) obtained via Pitot tube traverse of exhaust duct. 4' units start at 1.8" w.g. and 6' units start at 2.5" w.g. Static pressure will increase as filters load. Design exhaust system to accommodate 3.5-4" w.g. to account for filter loading.

**Dedicated, non-GFI outlet required. Acceptable voltage range +/-10% nominal value.

Logic® Class II, Type B2 Biosafety Cabinets

Specifications



All models feature:

- 100% exhausted design for work involving high volumes of volatile chemicals
- Long-life DC Electronically Commutated Motor (ECM)
- * BalanceFlow™ plenum provides energy-efficiency and ultra-quiet operation.*
- Intrinsically-safe negative pressure design
- * Mag-Zone™ area on interior right side manages storage challenges with Labconco Magnetic Mag-Zone accessories
- * Constant Airflow Profile™ (CAP) airflow monitoring system
- * Air-Wave™ Entry System at access opening to enhance containment
- * Contain-Air™ Negative Pressure Channel at top of sash to enhance containment
- * Includes airflow sensor to display inflow and downflow on display
- 99.99+% efficient supply and exhaust HEPA filters. 99.999% efficient ULPA filters or H14 HEPA filters also available
- * Logic OS and 5" interior-mounted, line-of-sight touchscreen information center with:
 - Smart-Start™ System allows user to start up and shut down cabinet functions by raising and lowering the sash
 - Full operational maintenance and certification logs for detailed record keeping
 - Status line for alarm conditions and alerts to warn when filter life diminishes to 20% and 10% before alarming at 0%
 - Interval/elapsed timer for experiment monitoring
 - UV light timer (on models with UV)
 - Password protection for cabinet settings
 - 8 Languages

* Labconco exclusive feature

- Bright, glare-free LED lighting up to 180 foot-candle (1937 lux). Located outside the contaminated work area
- 10° angled, fully closing sash. 1/4" tempered safety glass sash with counterbalanced, anti-racking, easy-to-lift mechanism
- * Curved, stainless steel inlet grille with waterfall design and Reserve-Air™ Secondary Airflow Slots
- Removable, seamless type 304 stainless steel, dished work surface with lift out knobs
- * Two electrical outlets. Flush mounted stainless steel cover with dampened hinges.
 - 115V GFCI, double receptacles, maximum amperage draw 5A.
 - 230V, single receptacles, maximum amperage draw 3A.
- Unitized, pressure tested stainless steel interior. Optic White epoxy-coated steel exterior
- Removable towel catch located under work surface
- 8" (20.3 cm) working sash height
- * 22.5" (57 cm) max. sash opening & 27.0" (69 cm) viewing height
- Airtight damper with 10" (25.4 cm) nominal round connection
- Noise level <67 dBA
- Nominal inflow velocity of 105 fpm (0.53 m/sec)
- Nominal downflow velocity of 55 fpm (0.28 m/sec)
- 10' (3 m) power cord with plug
- Six year warranty

Models conform to the following standards:

- CAN/CSA 22.2 No. 61010-1
- UL Standard 61010-1
- NSF/ANSI Standard 49 listed
- NSF/ANSI 49 compliant (Cell Logic models)
- CE/UKCA Mark (230V models)
- ISO Class 5 (Grade A) per ISO 14644-1
- * ADA-compliant

Options include:

- Unassembled, NSF-approved, epoxy-coated steel, non-welded telescoping base stand with leveling feet
- Accessory Package: UV lamp (254 nm), right-side service fixture with ball-type valve and right and left-side Vacu-Pass™ Cord & Cable Portal
- Cell Logic Packages: See page 34-35

All models require (not included):

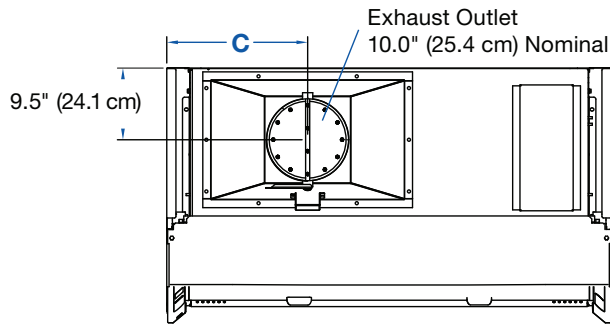
- Dedicated ductwork and remote blower required for each Type B2 BSC per CETA CAG-007: See page 36
- Supporting base if non-welded stand option is not selected

*U.S. Patent Pending



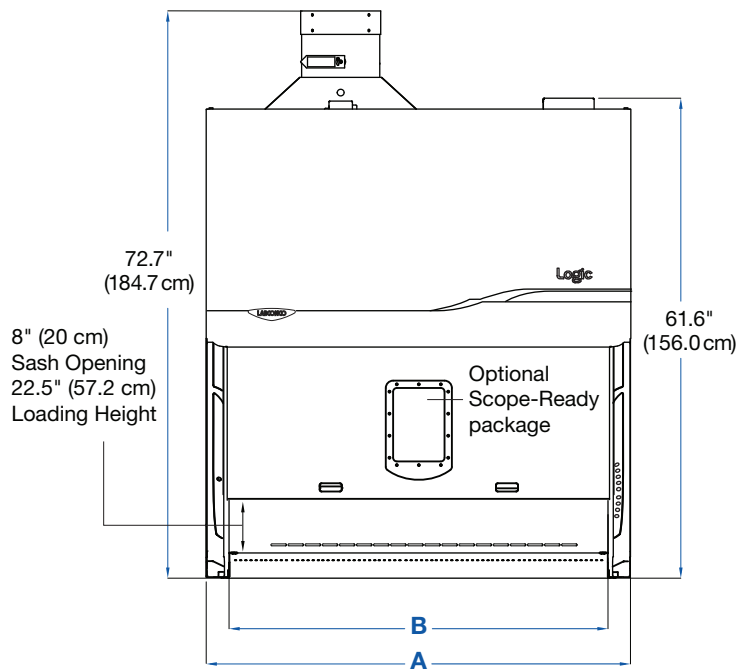
Logic® Class II, Type B2 Biosafety Cabinets

Dimensional Data

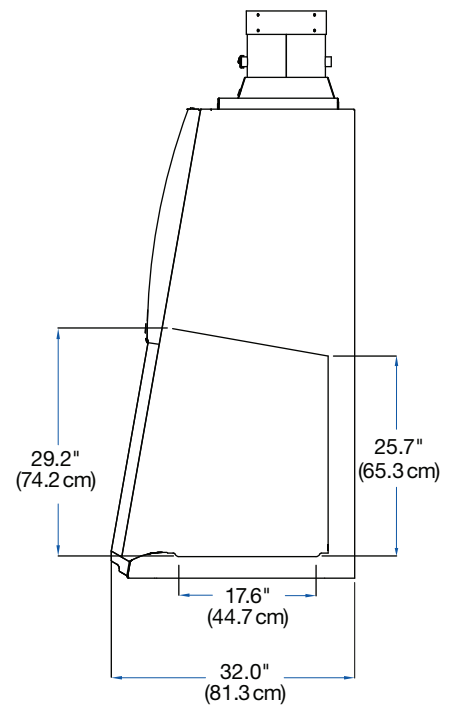


TOP

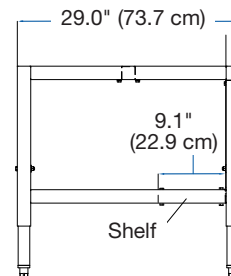
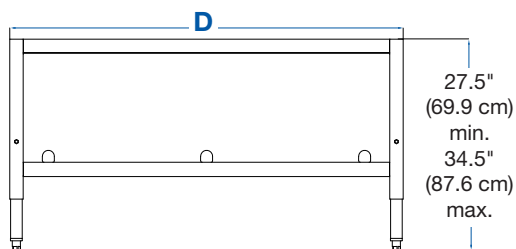
Nominal Width	A	B	C	D
4'	54.4" (138.2 cm)	48.5" (123.2 cm)	17.2" (43.7 cm)	50.5" (128.3 cm)
6'	78.4" (199.1 cm)	72.5" (184.2 cm)	28.2" (71.6 cm)	74.5" (189.2 cm)



FRONT



SIDE



*Loading height with Bag-In/Bag-out Package is 11.7" (29.7 cm).

Axiom® Class II, Type C1 Biosafety Cabinets

Features & Benefits

Class II Airflow

Provides Personnel, Product, and Environmental protection from hazardous pathogens and particles.

Class II, Type C1

- Greatest flexibility and safety in a Class II BSC
- Recirculating or 100% Ducted Chem-Zone
- Requires dedicated ductwork when ducted.

NSF 49 Listed

Each Labconco Class II BSC exceeds globally recognized performance and construction requirements.

Unitized Construction

A welded 304 stainless steel cabinet hull, dished work surface, and solid steel plenum are built to last.

HEPA Filtration

Dual filters are 99.99+% efficient (at 0.3 microns), providing ISO Class 5 or better air.

Sustainable Design

Each cabinet is constructed with more than 70% recycled materials. An ECM motor and LED lighting consume as little as 343 watts.

Constant Airflow Profile™

Continuously monitors and maintains inflow and downflow to protect users and samples.

Omni-Flex Design

Adapts as needs change. Operates in recirculating A Mode or ducted B Mode.

ECM Blower

Uses minimal energy, is quieter, and provides constant airflow with CAP™

Inclination Technology

A sloped sash, curved airfoil free of armrests, large working area, and eye-level display maximize comfort.

MyLogic™ OS

Conveniently displays cabinet information on 3.5" line-of-sight screen.

Easily Cleanable

304 stainless steel interior withstands routine disinfection. Coved corners and dished work surface are easily cleanable.



MyLogic OS Information Center



LCD Display

Clearly visualizes cabinet conditions in eight languages.

Filter Life Indicator

Accurately displays remaining HEPA filter life. Alerts users at 20% and 10% before alarming at 0%.

Blower Status

Displays when blower is turned On, in Night-Smart™ mode, or Off.

Alerts & Alarms

Visual and audible signals notify users of unsafe cabinet conditions.

Interface Convenience

MyLogic includes a built-in UV timer, Smart-Start™, 8 languages and a full certification menu.

Data Connectivity

Exports system information via USB or dry contact relays for remote monitoring.

Axiom® Class II, Type C1 Biosafety Cabinets

Ordering Information

Catalog Number Configurator:

Use this key to configure the nine digit catalog number to order your Axiom Class II, Type C1 Biosafety Cabinet.

3 0 4

Select the **WIDTH** of your cabinet. This is the fourth digit of your catalog number.

4 = 4' 6 = 6'

Select the **SASH OPENING HEIGHT**. This is the fifth digit of your catalog number.

1 = 10" (25.4 cm)
8 = 8" (20.3 cm)

Select the package option. **ACCESSORY PACKAGE:** This is the sixth digit of your catalog number.

0 = None
1 = Includes factory-installed right-side service fixture (two on 6' model, one on each side), UV lamp and a Vacu-Pass™ Cord & Cable Portal on the right side.

Select the **TELESCOPING BASE STAND** and **BAG-IN/BAG-OUT** option. This is the seventh digit of your catalog number.

0 = None
1 = Telescoping base stand included with the cabinet
2 = Factory-installed bag-in/bag-out exhaust filter included with the cabinet
3 = Telescoping base stand and factory-installed bag-in/bag-out exhaust filter included with the cabinet

Select the **ELECTRICAL CONFIGURATION** and **PLUG TYPE**. These are the eighth and ninth digits of your catalog number.

01 = 115V, 20A, 60 Hz, with plug for North America
11 = 230V, 50/60 Hz, with plug for North America
21 = 100V, 20A, 50/60 Hz, with plug for Japan
31 = 230V, 50/60 Hz, with Schuko plug
41 = 230V, 50/60 Hz, with plug for China/Australia
51 = 230V, 50/60 Hz, with plug for Great Britain (UK)
71 = 230V, 50/60 Hz, with plug for India

Plug Configurations



115V, 20A
for North America
100V, 20A for Japan



230V
for North America



230V
Schuko



230V
for China/Australia



230V
for Great Britain (UK)



230V
for India

Technical Specifications

Nominal Width	Exhaust Volume*	Energy Requirements** (Dedicated, non-GFI outlet required)		Watts	Shipping Weight	Shipping Weight with Stand
		100V or 115V	230V			
4' - 8" Sash	387 CFM @ 0.3" w.g.	16A	8A	343	750 lbs. (340 kg)	895 lb. (406 kg)
4' - 10" Sash	480 CFM @ 0.3" w.g.			373		
6' - 8" Sash	556 CFM @ 0.3" w.g.	16A	8A	455	1023 lbs. (464 kg)	1184 lb. (537 kg)
6' - 10" Sash	684 CFM @ 0.3" w.g.			485		

*Concurrent Balance Values (CBV) obtained via pitot tube traverse of exhaust duct.

**Acceptable voltage range +/- 10% nominal value.

Axiom® Class II, Type C1 Biosafety Cabinets

Specifications



All models feature:

- ❖ Omni-Flex™ two mode design (Type A and B mode) and two programmable working sash heights (8" and 10")
- Intrinsically-safe negative pressure design
- ❖ Fully scannable 99.99+% supply and exhaust HEPA filters (99.999% ULPA filters available)
- ❖ Long-life Dual DC Electronically Commutated Motors (ECM)
- ❖ Constant Airflow Profile™ (CAP) airflow monitoring system
- ❖ Active Protection Protocol that operates the cabinet's exhaust blowers for up to five minutes, in the event of exhaust system failure, preventing the flow of air into the laboratory*
- Low static pressure and volumetric rate exhaust requirements when in Type B mode. No dedicated exhaust system per BSC required
- ❖ Air-Wave™ Entry System at access opening to enhance containment
- ❖ Contain-Air™ Negative Pressure Channel at top of sash to enhance containment
- MyLogic™ Operating System and interior-mounted, line-of-sight, full color, easy-to-understand LCD information center with:
 - Smart-Start™ System allows user-to start up and shut down cabinet functions by raising and lowering the sash
 - Night-Smart™ System for idling the blower when the sash is fully closed (while in Type A mode only)
 - “Filter Life Remaining” bar graph and numeric value displayed for easy HEPA filter monitoring
 - Status line for alarm conditions and alerts to warn when filter life diminishes to 20% and 10% before alarming at 0%
 - Interval/elapsed timer for experiment monitoring
 - UV light timer (on models with UV)
 - Digital clock
 - 8 Languages
- Bright glare-free LED lighting up to 156 footcandle (1679 lux).

❖ Labconco exclusive feature

Located outside the contaminated work area

- Electronic security lock (optional activation) that requires access code to operate the cabinet
- ❖ Two electrical outlets. Flush mounted stainless steel cover with dampened hinges.
 - 115V GFCI, double receptacles, maximum amperage draw 5A.
 - 230V, single receptacles, maximum amperage draw 3A.
- 10° angled, fully closing sash. 1/4" tempered safety glass with counterbalanced, anti-racking, easy-to-lift mechanism
- ❖ Curved, stainless steel inlet grill with waterfall design and Reserve-Air(TM) Secondary Airflow Slots
- Unitized, pressure tested stainless steel interior. Glacier White epoxy-coated steel exterior
- 22.5" (57 cm) max. sash opening & 27.0" (69 cm) viewing height
- ❖ Chem-Zone™ work surface with dedicated direct exhaust for use with hazardous vapors or radionuclides*
- ❖ Removable, type 304 stainless steel 3-piece work surface (dished Chem-Zone in center and two flat sides) with lift out knobs and clearly delineated working area (when handling chemicals)*
- ❖ Touchpad on right-hand side post controls blower, light(s), timer, electrical receptacles, audible alarm mute and menu selection
- Six year warranty
- Nominal inflow velocity of 105 fpm (0.53 m/sec)
- Nominal downflow velocity of 65 fpm (0.33 m/sec) for all 4' models and the 6' x 10" sash model. Nominal downflow velocity of 55 fpm (0.28 m/sec) for 6' x 8" sash models.

Models conform to the following standards:

- UL Standard 61010-1
- CAN/CSA 22.2 No. 61010-1
- NSF/ANSI Standard 49 listed
- CE/UKCA Mark (230V models)
- ISO Class 5 (Grade A) per ISO 14644-1
- ADA-compliant

Required accessory:

- Supporting base if non-welded stand option is not selected

Options include:

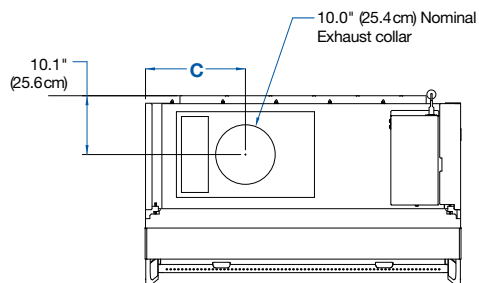
- Unassembled, NSF-approved, epoxy-coated steel non-welded telescoping base stand with fixed leveling feet
- Accessory Package: UV lamp (254 nm), service fixture(s) with ball-type valve(s) and right-side Vacu-Pass™ Cord & Cable Portal
- 10" diameter stainless steel manual damper for Type B mode
- Bag-In/Bag-Out Package: Exhaust filter for use with radionuclides or harmful chemicals

*U.S. Patent No. 10,507,500B1

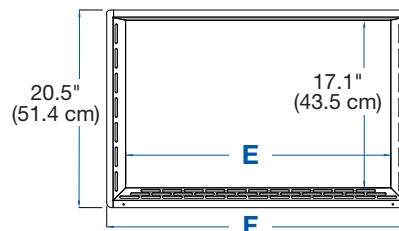


Axiom® Class II, Type C1 Biosafety Cabinets

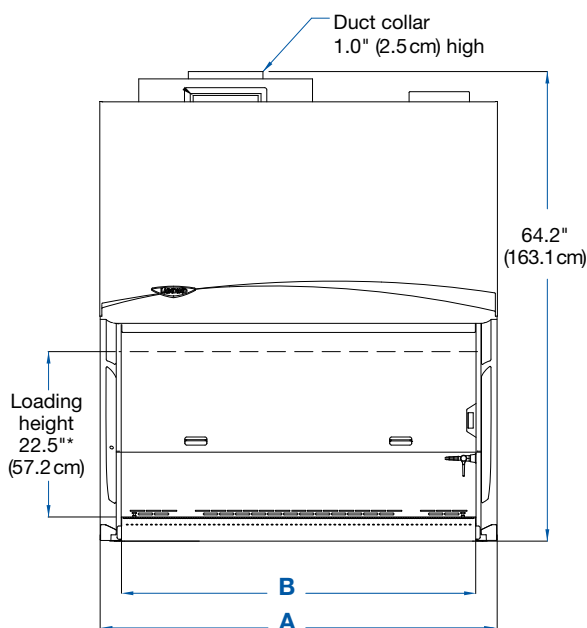
Dimensional Data



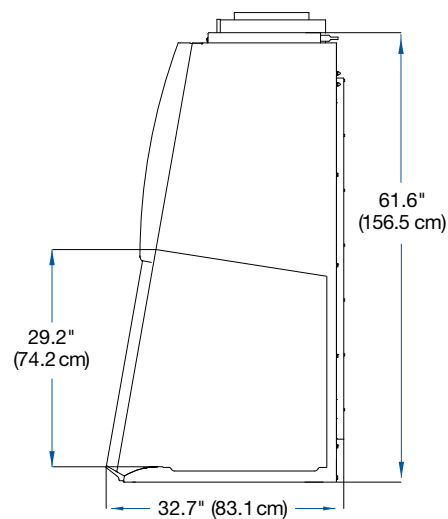
TOP



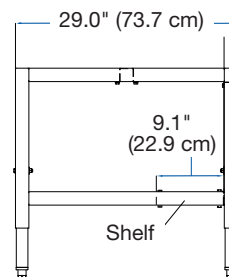
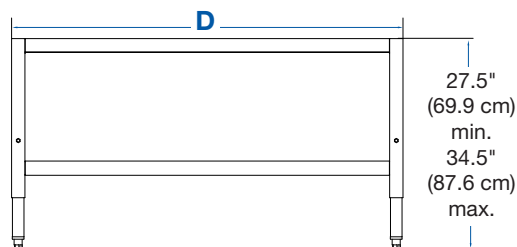
Chem-Zone Work Surface



FRONT



SIDE



Nominal Width	A Inches	B Inches	C Inches	D Inches	E Inches	F Inches
4'	54.3 (137.9 cm)	48.5 (123.2 cm)	17.1 (43.4 cm)	50.5 (128.3 cm)	27.1 (68.9 cm)	31.0 (78.8 cm)
6'	78.3 (198.9 cm)	72.5 (184.2 cm)	28.2 (71.6 cm)	74.5 (189.2 cm)	42.1 (107.0 cm)	46.0 (116.9 cm)

**Loading height with Bag-In/Bag-out Package is 13.6" (34.5 cm).

Class II Biosafety Cabinets

Cell Culture Accessories



Mag-Zone™ Accessory Area. Area on right side of cabinet for use with Labconco Mag-Zone accessories. Provides an easy and safe way to organize tools in your cabinet with removeable, stainless steel accessories that can be easily decontaminated. Not compatible with Axiom or Legacy Purifier Logic biosafety cabinets.

3033000 - Mag-Zone Magnetic Pipette Rack. Holds 4 standard lab pipettes and one standard pipette aid. Stainless steel, designed for use inside the Logic biosafety cabinet.



3033100 - Mag-Zone Magnetic Waste Bag Holder. Holds one standard benchtop biowaste bag. Stainless steel, designed for use inside the Logic biosafety cabinet.



3033200 - Mag-Zone Magnetic Pipette Aid holder, single. Holds one standard pipette aid. Stainless steel, designed for use inside the Logic biosafety cabinet.



VACUUBRAND* BVC Control Fluid Aspiration Systems. Compact, user friendly, complete media aspiration system. Aspirator pen compatible with Pasteur pipettes and has adapter for standard pipette tips. Can support two users. Includes 12 L/min adjustable diaphragm pump, Autoclavable collection bottle, flow-through aspirator tube with pen and PTFE 0.2 micron filter. Shipping weight 26 lbs. (12 kg)

Systems with 4L Polypropylene Collection Bottle

Catalog Number	Electrical Requirements	Plug Type
Dimensions (l x w x h): 16" x 7.6" x 20" (41 x 19 x 50 cm)		
3850330	115V, 50/60 Hz	115V, 15A

Systems with 2L Borosilicate Glass Collection Bottle

Catalog Number	Electrical Requirements	Plug Type
Dimensions (l x w x h): 16" x 7.6" x 17" (41 x 19 x 43 cm)		
3850340	115V, 50/60 Hz	115V, 15A

Contact Labconco or visit labconco.com for 230V Aspiration Systems

Class II Biosafety Cabinets

Cell Culture Accessories



8024600 – Logic Cell Culture Cart Pipette Insert Accessory. Adds 6 extra compartments for storing various size serological pipettes. Shipping weight 4 lbs. (1.8 kg)



8024700 - Logic Cell Culture Cart Side Shelf Accessory. Two accessory side shelves for extra storage for bottles, gloves and other required items. Can mount to right or left side of cart for up to 4 shelves total. Shipping weight 5 lbs. (2.3 kg)



8024500 - Logic Cell Culture Cart Interior Shelf. Divides the lower storage area for added flexibility, adjustable height. Shipping weight 8 lbs. (3.6 kg)

3852000—Turntable. Lazy Susan rotates 360° to bring items within easy reach. Stainless steel surface and ball bearings. 12" (30 cm) dia. Autoclavable. Shipping weight 6.0 lbs. (2.7 kg)



3859000—Interior Shelf. Stainless steel shelf, 8.0" x 5.0" (20 x 13 cm), mounts to rear grille. Capacity: 2.2 lbs. (1 kg). Shipping weight 2.0 lbs. (0.9 kg)



3859100—Cord Manager. Includes three stainless steel hooks and carabiners. Mounts to rear grille. Shipping weight 2.0 lbs. (0.9 kg)



Shown with Accessory Pipette Insert and Side Shelves installed.

8024400 - Logic Cell Culture Cart. Provides compact storage for common cell culture supplies like serological pipettes, gloves, lab tissues and disinfectants. Top compartment holds ~4 boxes of gloves. Small lab tissues can be dispensed from the front and larger lab tissues can be dispensed from the top through a removable cover. Built-in handles and easy-clean casters make positioning/moving the cart simple. Compact height for storing under cabinet when not in use. Overall dimensions: 23.5" w x 19.0" d x 27.0" h (60 x 48 x 69 cm). Shipping weight 85 lbs. (38.5 kg)

3689700—Ergonomic Chair. 4-way articulating seat for personalized comfort. ISO Class 6 clean room compatible. Seat height adjusts from 19" to 26" (48–66 cm). Five-leg composite base with resistance casters, 24.4" (62.0 cm) wide. Black vinyl upholstery. **⚠ WARNING:** Cancer - P65Warnings.ca.gov (California only). Shipping weight 43 lbs. (19.5 kg)



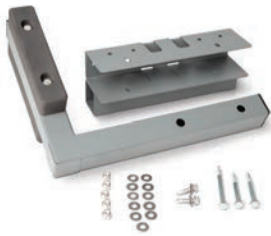
3746000—Adjustable Footrest. Ergonomic design reduces strain and fatigue while working. 18.5" w x 11.5" d x 8.0" h (47 x 29 x 20 cm). Shipping weight 6.0 lbs. (2.7 kg)



Class II Biosafety Cabinets

Technology Mounts

Labconco offers several solutions for mounting computer equipment to our base stands. The PC Mount kit attaches to any Labconco base stand and provides a secure mounting platform for clamp-style articulating arms.



5315000—PC Mount kit. Provides a 4" w x 7" d (10.2 x 17.8 cm) area to secure most clamp-style mounting systems. Mounts on either the right or left side of the base stand. Compatible with all Labconco base stands (SoLo, Hydraulic and Telescoping). Mounting arms not included. See part numbers 3997300, 3997400 and 3997900. **Installation required.** Shipping weight 9 lbs. (4.1 kg)



3997900—Ergotron® WorkFit-LX Monitor and Keyboard Arms. Polished Aluminum. Flexible design allows independent placement of the monitor and the keyboard. Capacity 7–25 lbs. (3.2–11.3 kg) PC Mount kit required and sold separately. **Installation required.** Shipping weight 35 lbs. (15.6 kg)



3997400—Ergotron® LX Desk Laptop Arm. Polished Aluminum. Allows independent placement of the laptop. Capacity 7–12 lbs. (3.2–5.4 kg) PC Mount kit required and sold separately. **Installation required.** Shipping weight 15 lbs. (6.8 kg)



3997300—Ergotron® LX Desk Monitor Arm. Polished Aluminum. Allows independent placement of the monitor or tablet. Capacity 7–25 lbs. (3.2–11.3 kg) Tablet case not included. PC Mount kit required and sold separately. **Installation required.** Shipping weight 11.2 lbs. (5.1 kg)



3145000—Electronics Mount. Provides a solid attachment point for a camera onto a Labconco Class II BSC. The articulating design includes 4-way movement and a 1/4" tripod mount to accommodate a variety of devices. Includes optional display screen for use with a projector. Attaches to BSC frame. Compatible with Logic and Axiom series biosafety cabinets only. **Installation required.** Shipping weight 6 lbs. (2.7 kg)

Class II Biosafety Cabinets

Accessories



Logic A2 Airflow Sensor. Allows display of inflow and downflow velocities on screen. **Installation and certifier calibration required.**

Catalog Number	Cabinet	Shipping Weight
3277600	A2	2.0 lbs (0.9 kg)
3277610	A2 with Canopy	2.0 lbs (0.9 kg)



Twist-lock Power Cord, 115V. 15A – IEC-C13 connector with NEMA L5-15 plug or 20A – IEC-C19 connector with NEMA L5-20 plug. 12' length.

Catalog Number	Amperage	Shipping Weight
1366800	15	2.0 lbs (0.9 kg)
1366900	20	2.0 lbs (0.9 kg)



3747500—Service Fixture Kit. Includes serrated hose tip with ball valve, quarter turn control handle and hardware. Cabinets are factory-prepared for up to six fixtures. Legacy Logic compatible. **Installation required.** Shipping weight 2.0 lbs. (0.9 kg)



Flat Chem-Zone Work Surface. Replaces standard dished Chem-Zone for unique applications. NSF-approved. **Axiom Biosafety Cabinets only.**

Catalog Number	Cabinet Width	Shipping Weight
3458401	4'	20 lbs. (9.1 kg)
3458403	6'	25 lbs. (11.3 kg)



3289100 - UV Lamp Kit. For field install of UV lamp into cabinets that were not factory equipped for UV. Includes 254 nm UV lamp and ballast. All voltages. **Installation required.** Shipping weight 5 lbs. (2.3 kg)



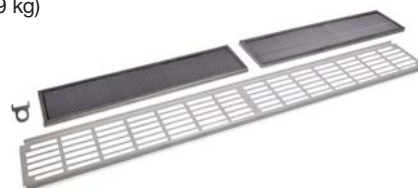
IV Bar Kits. Includes IV bar, mounting hardware and four hangers, two short and two long. Legacy Purifier Logic compatible. **Installation required.**

Catalog Number	Cabinet Width	Shipping Weight
3288900	3'	3.0 lbs. (1.4 kg)
3288901	4'	4.0 lbs. (1.8 kg)
3288902	5'	5.0 lbs. (2.3 kg)
3288903	6'	6.0 lbs. (2.7 kg)



3282400—Vacu-Pass Cord & Cable Portal Kit. NSF-approved portal allows passage of a cable through right- or left-side wall. Accommodates cords/cables with dia. of 1/8", 1/4", 3/8" and 1/2". **Installation required.** Shipping weight 1.0 lbs. (0.5 kg)

3408500—Sash-Glider Kit. Cleans both sides of sash while cabinet is closed to avoid contamination risks. Includes two microfiber sheets and ten disposable scrubbing strips. Shipping weight 5.0 lbs. (2.0 kg). Replacement strips, (3408600) package of 25. Shipping weight 2.0 lbs. (0.9 kg)



Washable Pre Filter Kits. Washable Pre filter Kits. Each kit consists of a washable/reusable, metal screen-type prefilter and installation hardware. Legacy Purifier Logic compatible. **A2 and B2 biosafety cabinets only. Installation required.**

Catalog Number	Cabinet Width	Shipping Weight
3288600	3'	4.0 lbs. (1.8 kg)
3288601	4'	5.0 lbs. (2.3 kg)
3288602	5'	6.0 lbs. (2.7 kg)
3288603	6'	7.0 lbs. (3.2 kg)

Class II Biosafety Cabinets

Cell Logic® Accessories



Special features for specialized work. Cell Logic models are designed with sensitive cell/tissue culture and microscopy in mind. Options for integrated viewing, vibration and temperature control keeps you, and your experiments happy.



Scope-Ready™ Option enhances comfort and performance when using a microscope in the cabinet. Pure-Vu™ Seal is made of clear, flexible material that helps prevent contaminants from escaping while providing visibility into the cabinet. NSF/ANSI 49 and Modified ASHRAE 110 tested.



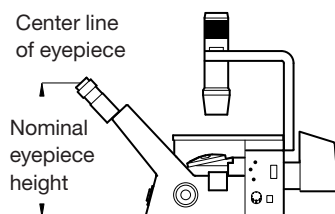
Temp-Zone™ Option creates a temperature-controlled area on your work surface for sensitive cells. Works with a user-supplied circulator to maintain uniform surface. 10.5" w x 12.0" d (7.0" x 12.0" on 3' models).

Cell Logic® Class II Biosafety Cabinets

Cell Logic Accessories

Steps to confirm microscope compatibility and proper selection of accessories.

1. Measure the nominal eyepiece height. Be sure to include lighted bases or other accessories that will impact the height of the microscope. If measuring for a Type B2, add 1 inch to your measurement.



2. Ensure microscope fit with the Cell Logic. Type A2 cabinets will accommodate microscopes with eyepiece heights between 12 - 21" (30.5 - 53.3 cm). Type B2 cabinets will accommodate microscopes with eyepiece heights between 11 - 20" (27.9 - 50.8 cm). Contact Labconco for microscopes larger than 21".
3. Select the appropriate Stand-Still Isolation Platform. Inverted microscopes typically require the standard platform. Stereo and Zoom microscopes typically require the XL platform.



Stand-Still Isolation Platforms. Required for supporting microscopes on Cell Logic models with Scope-Ready package. Promotes proper airflow through the cabinet. Reduces vertical and horizontal vibrations threefold. Type 304 stainless steel base with isolation pads. 1.5" high (0.4 cm). Weight Limit - 60 lbs. (27 kg)

Catalog Number	Description	Shipping Weight
4028200	Stand-Still Platform, 12.0" x 18.75" (30.5 x 47.6 cm)	8.0 lbs. (3.6 kg)
4028100	Stand-Still XL Platform, 14.0" x 22.75" (35.6 x 57.8 cm)	12.0 lbs. (5.4 kg)

Universal Tube Baths and Aluminum Tube Racks. Anodized aluminum blocks hold tubes of various sizes. Promotes the conduction of heat or cold from Temp-Zone area to help maintain sample temperature. Universal tube baths hold tubes in an aluminum bead bath and aluminum tube racks hold tubes upright. Thermally-conductive beads are sold separately.



Universal Tube Baths



Aluminum Tube Racks

Catalog Number	Description	Tube Capacity	Dimensions (w x d x h)	Shipping Weight
4026400	0.5 ml microcentrifuge, 7.5 mm	18	1.5" x 6.0" x 1.3" (38 x 152 x 32 mm)	2.0 lbs. (0.9 kg)
4026402	1.5 ml microcentrifuge, 10.5 mm	18	2.0" x 6.0" x 1.5" (51 x 152 x 38 mm)	2.0 lbs. (0.9 kg)
4026404	1.5 ml flat bottom, 10 mm	12	1.5" x 4.0" x 1.3" (38 x 102 x 32 mm)	2.0 lbs. (0.9 kg)
4026405	5 ml flat bottom, 12 mm	12	2.0" x 5.0" x 2.5" (51 x 127 x 64 mm)	3.0 lbs. (1.4 kg)
4026408	15 ml conical, 16-17 mm	12	2.0" x 6.0" x 4.0" (51 x 152 x 102 mm)	5.0 lbs. (2.7 kg)
4026410	50 ml conical, 28 mm	4	1.5" x 6.0" x 4.0" (38 x 152 x 102 mm)	5.0 lbs. (2.7 kg)
4026411	Microtiter well plate	1	6.0" x 8.0" x 1.5" (152 x 203 x 38 mm)	5.0 lbs. (2.7 kg)
	1.5 ml microcentrifuge	12		
	0.5 ml microcentrifuge	12		
4026600	Small Bath 0.25L capacity		2.0" x 4.0" x 3.0" (50.8 x 101.6 x 76.2 mm)	2.0 lbs. (0.9 kg)
4026602	Lab Armor Beads* 0.75L			5.0 lbs. (2.7 kg)

*Lab Armor® is a registered trademark of Lab Armor, LLC.

Logic® Class II Biosafety Cabinets

Exhaust Accessories

Labconco Class II Biosafety Cabinets (BSCs) can be exhausted when work involves hazardous chemical vapors or odors. All Class II BSC Types (A2, B2 or C1) operate at constant volume, but have varying exhaust requirements. In general, Type A2 and Type C1 BSCs use a canopy/thimble design with stable static pressures similar to chemical fume hoods. Type B2 BSCs require higher initial static pressure that increases over time, and a dedicated exhaust.*

Labconco's Spectrum® blower helps simplify the blower selection process, and ensures easy communication between your BSC and its remote blower. The Spectrum can be set to run the night-setback speeds on the Type A2 and C1. To help simplify the setup of Type B2 Logics, the Spectrum blower speed can be directly adjusted from the Logic OS software, ensuring a fast and easy setup and certification process.

1 horsepower models

Feature an energy efficient Electrically Commutated Motor (ECM). UL Listed.

2 horsepower models

Feature an energy efficient Variable Frequency Drive (VFD) motor. UL Listed.

ANSI/ASSP Z9.5

Conformance for exhaust fans ventilating hazardous materials.



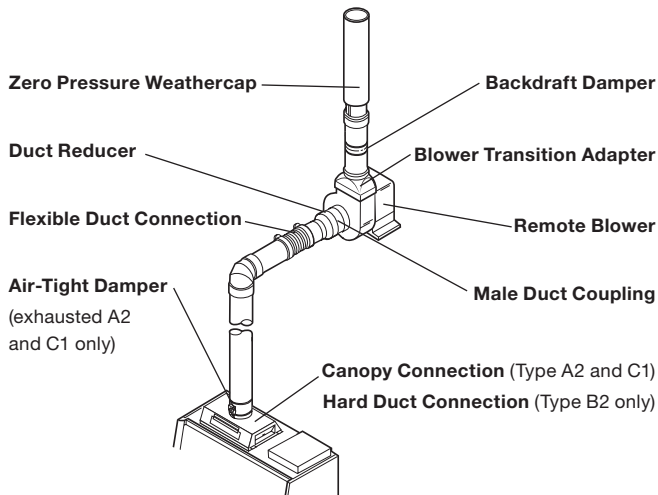
On-board control panel

On-board control panel has dry contact relays for connection to the BSCs remote communication board (Type A2, B2) or dry contact relay kit (Type C1). A 4-20 mA signal allows direct connection between Type B2 cabinets and the Logic software for quick adjustment to blower speed during setup and certification.

On-board screen

Displays blower status, alarm, RPM, temperature, and input selection indicators for at-a-glance status verification.

Typical Cabinet Exhaust System



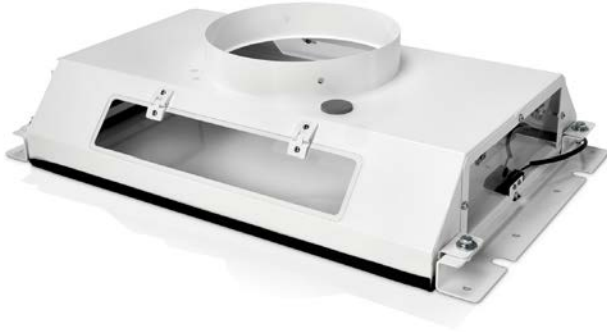
Class II BSC Type	Exhaust Connection with Cabinet	Static Pressure from Cabinet	Requires dedicated exhaust run
Logic Type A2	Ventus II Canopy Accessory	0.15" w.g.	No
Logic Type B2	Hard Duct to Damper built into cabinet	1.8-2.5" w.g. + additional 2" w.g. for filter loading	Yes**
Axiom Type C1	Canopy, built into cabinet	0.3" w.g.	No

* Remote Communication Board sold separately for Type A2 cabinets. Included on Type B2 cabinets

** CAG-007: Exhaust System Requirements of Class II Biosafety Cabinets

Logic® Class II Biosafety Cabinets

Exhaust Accessories



Ventus II Canopy Connection. For thimble exhausting Type A2 cabinets. NSF approved design detects insufficient exhaust in less than one second and signals Logic OS with visual and audible alarms. Alarm increases motor to maximum speed for personnel safety. Adds only 1.4" (3.6 cm) to cabinet height. Epoxy-coated steel. Collar is 10" (25.4 cm) ID. Exhaust connection is required. **Air-tight Damper (3776800) recommended.** Contact Labconco for information on factory installation. Shipping weight 75 lbs. (34 kg)

Catalog Number	For Use With	Required Exhaust Volume* CFM @ x" w.g.		
		8" Sash	10" Sash	12" Sash
3889210	3' Type A2	275@0.03"	319@0.04"	380@0.04"
3889211	4' Type A2	385@0.09"	462@0.12"	539@0.15"
3889212	5' Type A2	473@0.13"	578@0.18"	704@0.24"
3889213	6' Type A2	627@0.20"	770@0.27"	913@0.38"

* Exhaust volumes listed are concurrent balance values obtained in the exhaust duct via traverse methodology. Actual volume may be lower using Direct Inflow Measurement methodology.

3289000 - Logic Remote Communication Board. Kit includes three dry contact relays, USB data output, RS-232 RJ45 data output and an Ethernet pass-through. Factory installed on Type B2 Cabinets. **Installation required. For Type A2 cabinets only.** Shipping weight 1.0 lb (0.5 kg).



3858320—Dry Contact Relay Kit. Connects Axiom and Legacy Purifier Logic biosafety cabinets to remote blower or building monitoring system. Includes outputs for Blower, Night-Smart, and Alarm status. Shipping weight 1.0 lb (0.5 kg)



Flex Duct Connection.



Catalog Number	Length	Shipping Weight
7034800	1'	5 lbs (2.3 kg)
7034801	3'	10 lbs (4.5 kg)
7034802	6'	15 lbs (6.8 kg)
7034803	10'	25 lbs (11.3 kg)

3776800—Air-Tight Damper. Mounts atop Ventus Canopy to adjust exhaust airflow and closes for decontamination procedures. Manually adjustable. Type 304 stainless steel. 10" (25.4 cm) high with 10" (25.4 cm) dia. OD inlet & outlet. Shipping weight 14 lbs. (6.3 kg)



3858800—Backdraft Damper. Mounts in vertical duct run to prevent reversal of the exhaust system. 3.0" (8 cm) high with 10" (25.4 cm) dia. OD inlet and outlet. Shipping weight 2.0 lbs. (0.9 kg)



Spectrum Blowers. Required for Type B2 and recommended for canopy-ducted Type A2 and C1 BSCs. Phenolic-coated impeller and housing, epoxy-coated steel base and weather cover, ECM or VFD motor. Contact Labconco with questions about blower sizing and other blowers available.



Catalog Number	For Use With**	Electrical Requirements	HP	Shipping Weight
177050100	Type A2, C1, Class I	115/230V, 50/60 Hz, 1 phase, 10/6A	1	150 lbs. (68 kg)
177250200	Type B2	230/460V, 50/60 Hz, 1 or 3 phase, 8.5	2	145 lbs. (65.8 kg)

Blower Dimensions

	177050100	177250200
Inlet	10.9" (27.7 cm) ID	12.25" (31.1 cm) OD
Outlet	10.0" w x 5.5" d (25.4 x 14 cm)	13.5" w x 7.0" d (34.3 x 17.8 cm)
Blower Transition Adapter Required	4722401	7003400

Class II Biosafety Cabinets

Logic and Axiom Unassembled Telescoping Base Stand



Optic White stand with accessory caster kit shown

Standard Features

- When ordered, unassembled design ships on pallet with biosafety cabinet
- Telescoping legs are adjustable to eight height positions at installation in 1" (2.5 cm) increments to provide a working height from 30" (76 cm) to 37" (94 cm)*
- Durable Optic White epoxy-coating for Logic biosafety cabinets
- Durable Glacier White epoxy-coating for Axiom biosafety cabinets
- Optic White stands feature three pass-throughs in rear panel. Pass-through not available on Glacier White stands

- Supports loads up to 1,000 lbs. (454 kg)
- Durable 1.75" steel frame
- Fixed leveling feet
- NSF approved
- ADA-compliant

See drawings on pages 21 (A2), 25 (B2) and 29 (C1). Axiom base stand does not feature pass-through ports.

5190100 - Caster Kit. For converting telescoping base stands with fixed feet to mobile stands. Kit includes four 5" (12.7 cm) dia., toe-locking, glass-filled nylon casters that are resistant to most chemicals. Easy-clean and maintenance free. Load rating for each caster is 250 lbs. Casters add up to 7" - 11" (18 - 28 cm) to the overall depth of the base stand.

Installation required. Shipping weight 22 lbs. (9.8 kg)

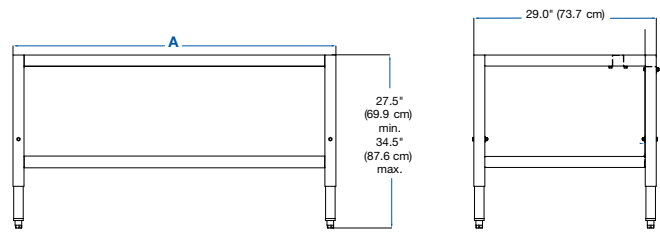


5190200—Seismic Bracket Kit. Secures base stand to the floor in earthquake-prone regions. Includes four stainless steel brackets and hardware for attachment to stand. **Floor hardware and installation required.** Shipping weight 22 lbs. (9.8 kg)



Class II Biosafety Cabinets

Logic Telescoping Base Stand



Nominal Width	A	Shipping Weight
3'	38.5" (97.8 cm)	100 lbs. (45 kg)
4'	50.5" (128.3 cm)	115 lbs. (48 kg)
5'	62.5" (158.8 cm)	120 lbs. (54 kg)
6'	74.5" (189.2 cm)	125 lbs. (57 kg)

Standard Features

- Fully Welded design
- For Optic White Logic BSC models*
- Supports loads up to 4,000 lbs. (1814 kg)
- Castered models supports loads up to 1,000 lbs. (454 kg)
- Durable 1.75" tubular, epoxy-coated steel frame
- Telescoping legs are adjustable to eight height positions at installation in 1" (2.5 cm) increments to provide a working height from 30" (76 cm) to 37" (94 cm)*
- Available with either fixed leveling feet or 5" easy-clean casters with toe locks
- NSF approved
- ADA-compliant

Catalog Number Configurator:

Use this key to configure the seven digit catalog number to order your Optic White Telescoping Base Stand.

5 1 7 3 0

Select the **NOMINAL STAND WIDTH** of your cabinet. This is the fifth digit of your catalog number.

- 3 = 3'
- 4 = 4'
- 5 = 5'
- 6 = 6'

Select the **TYPE OF FEET** required. This is the sixth digit of your catalog number.

- 0 = Leveling Feet
- 1 = Casters

5190100 - Caster Kit. For converting telescoping base stands with fixed feet to mobile stands. Kit includes four 5" (12.7 cm) dia., toe-locking, glass-filled nylon casters that are resistant to most chemicals. Easy-clean and maintenance free. Load rating for each caster is 250 lbs. Casters add up to 7" - 11" (18 - 28 cm) to the overall depth of the base stand. **Installation required.** Shipping weight 22 lbs. (9.8 kg)



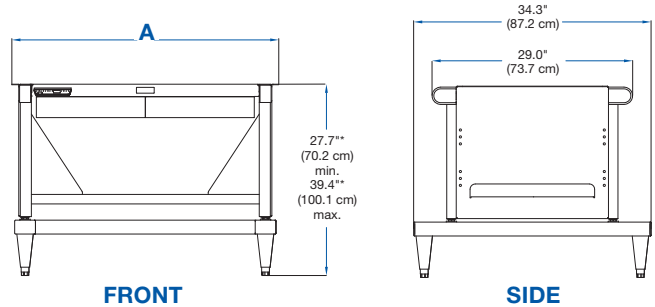
5190200—Seismic Bracket Kit. Secures base stand to the floor in earthquake-prone regions. Includes four stainless steel brackets and hardware for attachment to stand. **Floor hardware and installation required.** Shipping weight 22 lbs. (9.8 kg)



* Contact Labconco for Glacier White base stands for Axiom, Legacy Purifier Logic and Legacy Delta BSCs.

Class II Biosafety Cabinets

Universal Hydraulic Base Stand



Nominal Width	A	Shipping Weight
3'	38.6" (98.0 cm)	178 lbs. (81 kg)
4'	50.6" (128.5 cm)	227 lbs. (103 kg)
5'	62.6" (159.0 cm)	261 lbs. (118 kg)
6'	74.6" (189.5 cm)	295 lbs. (134 kg)

Standard features

- For all Optic White Labconco Class II BSC models*
- Supports loads up to 1,000 lbs. (454 kg)
- Durable epoxy-coated Optic White steel frame
- Infinitely adjustable for working heights of 28–40" (71–101.6 cm)
- Four user-programmable memory positions
- Leveling feet or 5" (12.7 cm) diameter, toe-locking, glass-filled nylon casters that are resistant to most chemicals.
- Front-accessible up/down switch, right or left side compatible
- Programmable safety stops to limit upper and lower travel

5190300—Seismic Kit, Hydraulic Base Stand. Secures hydraulic base stand to floor. Includes stainless steel brackets and hardware for attachment to stand. **Floor hardware and installation required.** Shipping weight 12 lbs. (5.4 kg)

Catalog Number Configurator:

Use this key to configure the seven digit catalog number to order your Logic Universal Hydraulic Base Stand.

5 1 8

Select the **TYPE OF FEET** required. This is the fourth digit of your catalog number.

0 = Leveling Feet 1 = Casters

Select the **NOMINAL STAND WIDTH**. This is the fifth digit of your catalog number.

3 = 3' 4 = 4' 5 = 5' 6 = 6'

Select the **ELECTRICAL CONFIGURATION** and **PLUG TYPE**. These are the sixth and seventh digits of your catalog number.

00 = 115V, 15A, 60 Hz, with plug for North America

10 = 230V, 50/60 Hz, with plug for North America

30 = 230V, 50/60 Hz, with plug for Schuko plug

40 = 230V, 50/60 Hz, with plug for China/Australia

50 = 230V, 50/60 Hz, with plug for Great Britain (UK)

70 = 230V, 50/60 Hz, with plug for India

Plug Configurations



115V, 15A
for North America



230V
for North America



230V
Schuko



230V
for China/Australia



230V
for Great Britain (UK)

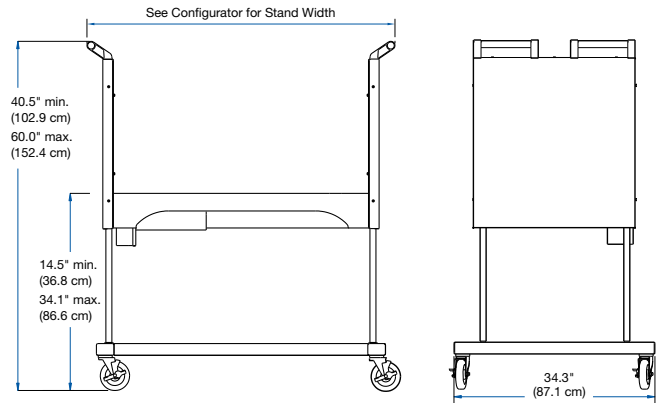


230V
for India

*Contact Labconco for Glacier White hydraulic base stands for Axiom, Legacy Purifier Logic and Legacy Delta BSCs.

Class II Biosafety Cabinets

SoLo™ Hydraulic Lift Base Stand



FRONT

SIDE

Standard Features

- For all Optic White Labconco Class II BSC models*
- Hydraulic lift provides flexible height adjustment and permits passage through standard doorways as low as 75.5" (191.7 cm) high for A2 cabinets.
- Infinitely adjustable height provides work surface heights from 17.0" (43.2 cm) to 37" (94.0 cm).
- Supports loads up to 1,000 lbs. (454 kg)
- 5" (12.7 cm) dia., toe-locking, glass-filled nylon casters. Resistant to most chemicals, easy-clean and maintenance-free.
- Durable epoxy-coated steel construction
- Two handle bars facilitate transport.
- NSF-approved

Catalog Number Configurator:

Use this key to configure the seven digit catalog number to order your SoLo Hydraulic Base Stand.

5 1 8 5

Select the **NOMINAL WIDTH** of your cabinet. This is the fifth digit of your catalog number.

- 3** = 3' Overall Stand Width 53.6" (136.2 cm)
Shipping Weight: 390 lbs. (177 kg)
- 4** = 4' Overall Stand Width 65.6" (166.7 cm)
Shipping Weight: 420 lbs. (190 kg)
- 5** = 5' Overall Stand Width 77.6" (197.2 cm)
Shipping Weight: 460 lbs. (209 kg)
- 6** = 6' Overall Stand Width 89.6" (227.6 cm)
Shipping Weight: 500 lbs. (227 kg)

Select the **ELECTRICAL CONFIGURATION** and **PLUG TYPE**. This is the sixth digit of your catalog number.

- 00** = 115V, 15/20A, 60 Hz, with plug for North America
- 10** = 230V, 50/60 Hz, with plug for North America
- 30** = 230V, 50/60 Hz, with Schuko plug
- 40** = 230V, 50/60 Hz, with plug for China/Australia
- 50** = 230V, 50/60 Hz, with plug for Great Britain (UK)
- 70** = 230V, 50/60 Hz, with plug for India

Plug Configurations



115V, 15A
for North America



230V
for North America



230V
Schuko



230V
for China/Australia



230V
for Great Britain (UK)



230V
for India

*Contact Labconco for Glacier White SoLo base stands for Axiom, Legacy Purifier Logic and Legacy Delta BSCs.

Class I Biosafety Cabinet

Features & Benefits

Class I Airflow

- Personnel and Environmental Protection Only
- Recirculating or Canopy Ducted

Biological Containment

Verified per NSF 49 Personnel Protection Test.

HEPA Filtration

99.99+% efficient at 0.3 micron.

Tempered Safety Glass Front Sash and Sides

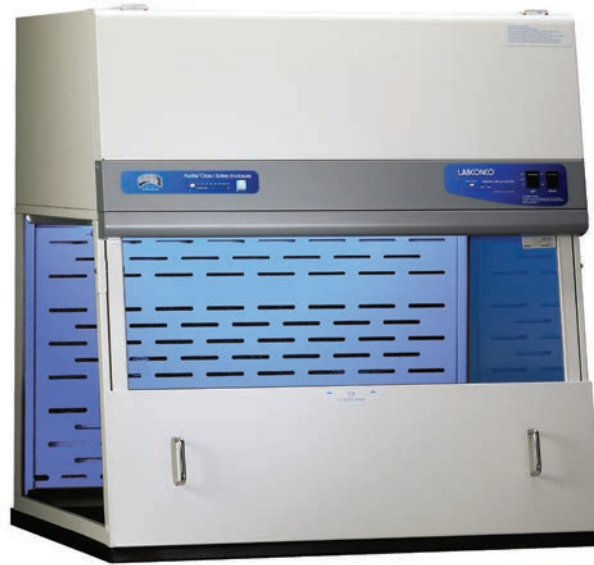
Excellent visibility and protection. Glass has better fire, scratch and corrosion resistance than acrylic.

Perforated Rear Baffle

Promotes horizontal laminar airflow to maximize containment.

Two Utility Ports

Two ports with iris openings allow passage of tubing and cords from inside.



Upper Dilution Air Supply

Introduces room air at the top of the sash to dilute concentrations in the upper chamber and bathes the back of the sash with clean air.

Ergonomic 10° Angled Sash

Allows a closer view, reduces glare and provides a more comfortable operating position than vertical sashes. The hinged sash pivots up and locks to a loading height of 20".

Clean-Sweep™ and Side-Entry Airfoils

Allow air to sweep across the interior surfaces and enhance containment.

Intrinsically-Safe Design

The positive pressure impeller is surrounded by a negative pressure plenum.

254 nm UV Light, Digital Timer and Interlocking UV Protection Panel

For secondary decontamination. UV light timer - 5, 10, 15, 30, 60, 120, 240 and continuous.



Space-Saving Design

Impeller and HEPA filter are contained within the enclosure's upper plenum for a small overall footprint.

Optional Guardian™ Airflow Monitor Alerts user to unsafe face velocities.

Class I Biosafety Cabinet

Specifications



All Models Feature:

- Nominal inflow velocity of 75 to 105 fpm
- * Ergonomic air foil with aerodynamic Clean-Sweep airflow openings
- * Upper dilution air supply
- * Zone-perforated rear baffle
- * Side-entry air foils
- Exhaust HEPA filter, 99.99% efficient at 0.3 micron particles
- Variable speed built-in blower with dynamically-balanced, vibration-isolated motorized impeller and solid state control rated for 5 amps
- Intrinsically-safe, negative pressure design
- Differential pressure gauge
- Low discharge volume and quiet operation
- * Upper containment sash foil

Catalog Number Configurator:

Use this key to configure the seven digit catalog number to order your Class I Biosafety Cabinet.

3 9 8 0

Select the **WIDTH** of your cabinet. This is the fifth digit of your catalog number.

- 2** = 2' Shipping Weight: 189 lbs. (86 kg)
- 3** = 3' Shipping Weight: 225 lbs. (102 kg)
- 4** = 4' Shipping Weight: 275 lbs. (125 kg)

Select the **ELECTRICAL CONFIGURATION** and **PLUG TYPE**. This is the sixth digit of your catalog number.

- 0** = 115V, 15A
- 2** = 230V, 10A, no plug

- Glacier White and Battleship Gray epoxy-coated aluminum frame and steel rear plenum and baffle
- Fluorescent lamp
- 254 nm UV lamp with interlocking UV protection panel and two support hooks located atop the bench for stowing the panel.
- * Variable digital timer for UV exposure with eight settings in minutes of 5, 10, 15, 30, 60, 120, 240 and continuous
- Blower switch and 3-way light switch: UV, off and fluorescent
- 1/4" thick tempered safety glass front sash and sides
- 9.44" high sash opening
- Ergonomic 10° angled and hinged sash that pivots upward, locks to a loading height of 20" and has side wiping seals
- Two 1.5" utility ports, right and left rear wall

Models Conform to the Following Standards:

- Biological containment verified per NSF/ANSI 49 Personnel Protection Test
- ASHRAE 110 conformity tested
- UL 61010-1 and CAN/CSA C22.2 conformity (115 volt models)
- CE Mark (230 volt models)
- One year warranty
- Validation package available

Options Include:

- Guardian Airflow Monitor that continuously monitors airflow and has two LED lights to indicate when airflow is within or outside set point range

All Models Require (not included):

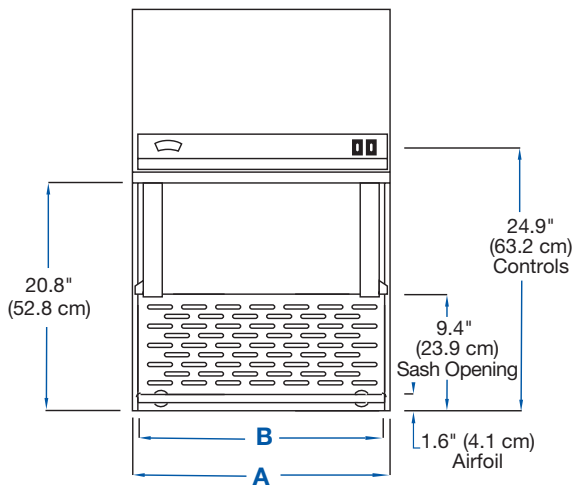
- Supporting work surface. Place on existing casework or see page 44
- Supporting base. Place on existing casework or see pages 46-47



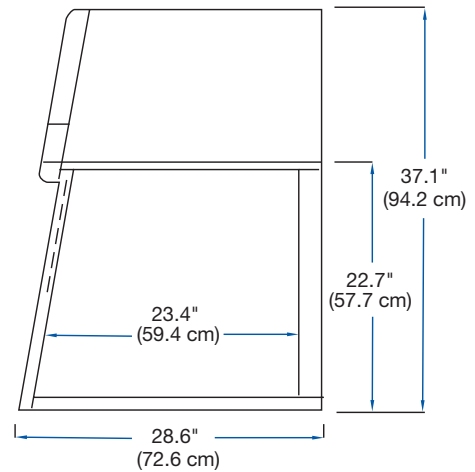
Class I Biosafety Cabinet

Dimensions & Work Surfaces

	2'	3'	4'
A	24.0" (61.0 cm)	36.0" (91.4 cm)	48.0" (121.9 cm)
B	21.6" (54.9 cm)	33.6" (85.3 cm)	45.6" (115.8 cm)



FRONT



SIDE

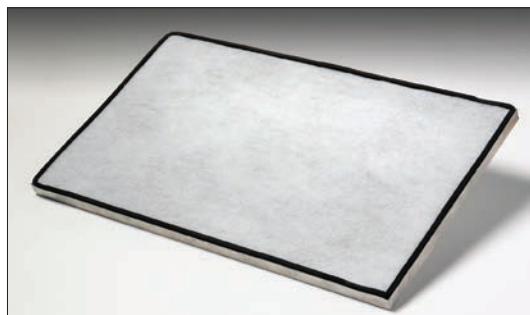


Solid Epoxy and Stainless Steel Work Surfaces. Black, chemical resistant epoxy work surface is dished to contain spills. Type 304, 18 ga. stainless steel work surfaces have a 1" deep spill trough.

Catalog Number	Size and Material	Dimensions	Shipping Weight
3909900	2' - Epoxy	24.0" w x 29.0" d x 1.0" h (61 x 73.7 x 2.5 cm)	66 lbs. (30 kg)
3909901	3' - Epoxy	36.0" w x 29.0" d x 1.0" h (91.4 x 73.7 x 2.5 cm)	100 lbs. (45 kg)
3909902	4' - Epoxy	48.0" w x 29.0" d x 1.0" h (121.9 x 73.7 x 2.5 cm)	110 lbs. (50 kg)
3970602	2' - Stainless Steel	24.0" w x 29.0" d x 0.8" h (61.0 x 73.7 x 2.0 cm)	88 lbs. (40 kg)
3970603	3' - Stainless Steel	36.0" w x 29.0" d x 0.8" h (91.4 x 73.7 x 2.0 cm)	109 lbs. (49 kg)
3970604	4' - Stainless Steel	48.0" w x 29.0" d x 0.8" h (121.9 x 73.7 x 2.0 cm)	138 lbs. (63 kg)

Class I Biosafety Cabinet

Accessories



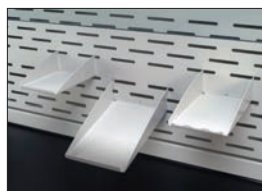
Trace Odor Carbon Filters. For installation atop the Class I Biosafety Cabinet. Whether or not a Trace Odor Carbon Filter is appropriate for your application requires consideration of multiple factors, including the time-weighted exposure limits.

Our technical specialists can help you determine if the Trace Odor Carbon Filter is right for your application and help estimate filter life. To begin the process, please complete a Chemical Assessment form available at labconco.com

Catalog Number	Description	For use with:	Shipping Weight
3937200	Organic, 5.5 lbs. activated carbon	2'	10 lbs. (4.5 kg)
3937300	Organic, 9.2 lbs. activated carbon	3'	15 lbs. (6.8 kg)
3937400	Organic, 12.9 lbs. activated carbon	4'	23 lbs. (10 kg)
3937201	Formaldehyde, 7 lbs. impregnated carbon	2'	11 lbs. (5.0 kg)
3937301	Formaldehyde, 12 lbs. impregnated carbon	3'	18 lbs. (8.2 kg)
3937401	Formaldehyde, 16.8 lbs. impregnated carbon	4'	25 lbs. (11 kg)
3937202	Ammonia & Amines, 8 lbs. impregnated carbon	2'	15 lbs. (6.8 kg)
3937302	Ammonia & Amines, 13.5 lbs. impregnated carbon	3'	18 lbs. (8.2 kg)
3937402	Ammonia & Amines, 18.9 lbs. impregnated carbon	4'	25 lbs. (11 kg)

Exhaust Dampers

Catalog Number	Nominal Diameter	Material	Shipping Weight
4724200	6"	PVC	10 lbs. (4.5 kg)
3924401	6"	Epoxy-coated steel	10 lbs. (4.5 kg)



3925000—Utility Shelves. Three epoxy-coated steel shelves attach to the rear baffle perforations to hold a printer, utensils and other miscellaneous supplies. The utensil shelf has a scalloped front edge for spatulas, brushes and other items. Shipping weight 5.0 lbs. (2.2 kg)



3927700—Bottle Holder. Epoxy-coated steel. Attaches to the rear baffle perforations to hold a squirt bottle or other round container. 3" (7.6 cm) diameter opening. Shipping weight 1.0 lb. (0.5 kg)



3927800—Tissue Holder. Epoxy-coated steel. Attaches to the rear baffle perforations to hold a 4.63" (11.8 cm) x 4.75" (12.01 cm) box of tissue wipers in the upside down position. An opening in the bottom of the holder permits tissues to be dispensed from the bottom. Shipping weight 1 lb. (0.5 kg)



Canopy Connections. Thimble-style connection for external exhaust when required. Thimble connection allows room air to enter the ductwork and mix with the air being exhausted from the enclosure. Outlet accepts 6" (15.2 cm) nominal diameter ductwork.

Ductwork and remote blower or house exhaust are required (not included).

Catalog Number	Enclosure Width	Exhaust Volume (CFM)	Shipping Weight
3924400	2'	132	15 lbs. (6.8 kg)
3924401	3'	206	31 lbs. (14 kg)
3924402	4'	285	51 lbs. (23 kg)

Class I Biosafety Cabinet

Telescoping Base Stand

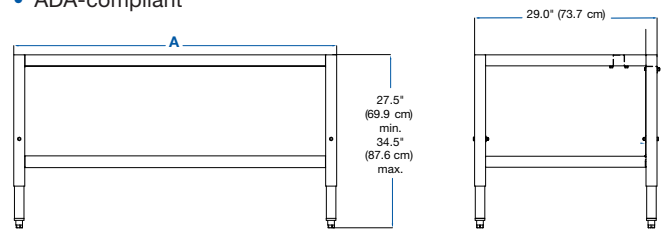


Standard Features

- Models with fixed feet support loads up to 4,000 lbs. (1814 kg)
Models with casters support loads up to 1,000 lbs. (454 kg)
- Durable 1.75" tubular, Glacier White, epoxy-coated steel frame.
Models 3' wide and larger have rear crossbar supports
- Telescoping legs are adjustable to eight height positions in 1" increments from 27.5" to 34.5" (69.9 to 87.6 cm)
- Available with fixed leveling feet or 5" (12.7 cm) diameter, toe-locking, non-marking casters
- ADA-compliant

Catalog Number		Nominal Width	A	Shipping Weight
Fixed Feet	With Casters			
3746700	3746710	2'	24.0" (61.0 cm)	85 lbs. (39 kg)
3746701	3746711	3'	36.0" (91.4 cm)	95 lbs. (43 kg)
3746702	3746712	4'	48.0" (121.9 cm)	110 lbs. (50 kg)

3730500—Caster Kit. For converting telescoping base stands with fixed feet to mobile stands. Kit includes four 5" (12.7 cm) dia., polyurethane casters with toe locks. Load rating for each caster is 250 lbs. (113.4 kg) Casters add up to 7"-11" (18 - 28 cm) to the overall width/depth of the base stand. **Installation required.** Shipping weight 22 lbs. (9.8 kg)



Optional Accessory Shelves. Glacier white, epoxy-coated, 16 gauge steel. Designed to hook on the lower rear horizontal cross member of the Telescoping Base Stand.

Catalog Number	Nominal Width	Shelf Width x Depth	Shipping Weight
3811100	2'	20.4" x 9.9" (51.8 x 25.1 cm)	9 lbs. (4 kg)
3811101	3'	32.4" x 9.9" (82.3 x 25.1 cm)	12 lbs. (5 kg)
3811102	4'	44.4" x 9.9" (112.8 x 25.1 cm)	15 lbs. (7 kg)

Class I Biosafety Cabinet

Hydraulic Base Stand



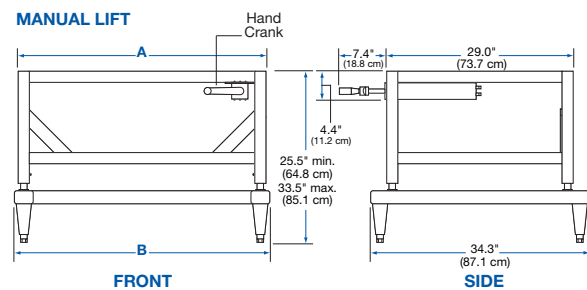
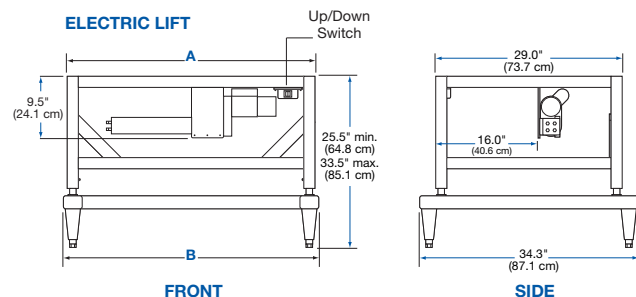
Standard Features

- Supports loads up to 1,000 lbs. (454 kg)
- Durable 1.75" (4.4 cm) tubular, epoxy-coated steel frame with rear crossbar supports. Sub-frame is 2.0" x 3.0" (5.1 x 7.6 cm)
- Height is infinitely adjustable from 25.5" to 33.5" (64.8 x 85.1 cm) high
- Include four epoxy-coated, die-cast feet with levelers
- Include front-accessible up/down switch (Electric Lift models)
- Include front-accessible hand crank. The handle may be disengaged and folded under, out of the way, when not in use. (Manual Lift models)
- ADA-compliant

Catalog Number	Nominal Width	Description	Shipping Weight
3780300		Electric. 115V, 60 Hz, 2.4A	
3780303*	3'	Electric. 230V, 50/60 Hz, 0.8A	105 lbs. (48 kg)
3780400		Manual	
3780301		Electric. 115V, 60 Hz, 2.4A	
3780304*	4'	Electric. 230V, 50/60 Hz, 0.8A	175 lbs. (79 kg)
3780401		Manual	

Nominal Width	A	B
3'	36.0" (91.4 cm)	37.2" (94.5 cm)
4'	48.0" (121.9 cm)	49.2" (125.0 cm)

3784000—Caster Kit. Includes four 5" (13 cm) diameter casters with toe locks. Load rating for each caster is 250 lbs. Casters add up to 7" to width/depth stand. Shipping weight 10 lbs. (5 kg)



**Visit labconco.com to request information
for all Labconco products.**



LABCONCO CORPORATION

8811 Prospect Avenue
Kansas City, MO 64132

(800) 821-5525 | (816) 333-8811

labconco.com

©2024 LABCONCO CORPORATION

Product design subject to change without notice.

2-55-8/19/2024

