

Installation Guide for Overfill Sensor with Ground, Pressure Switch Kit #1 – #4687310

Parts List:

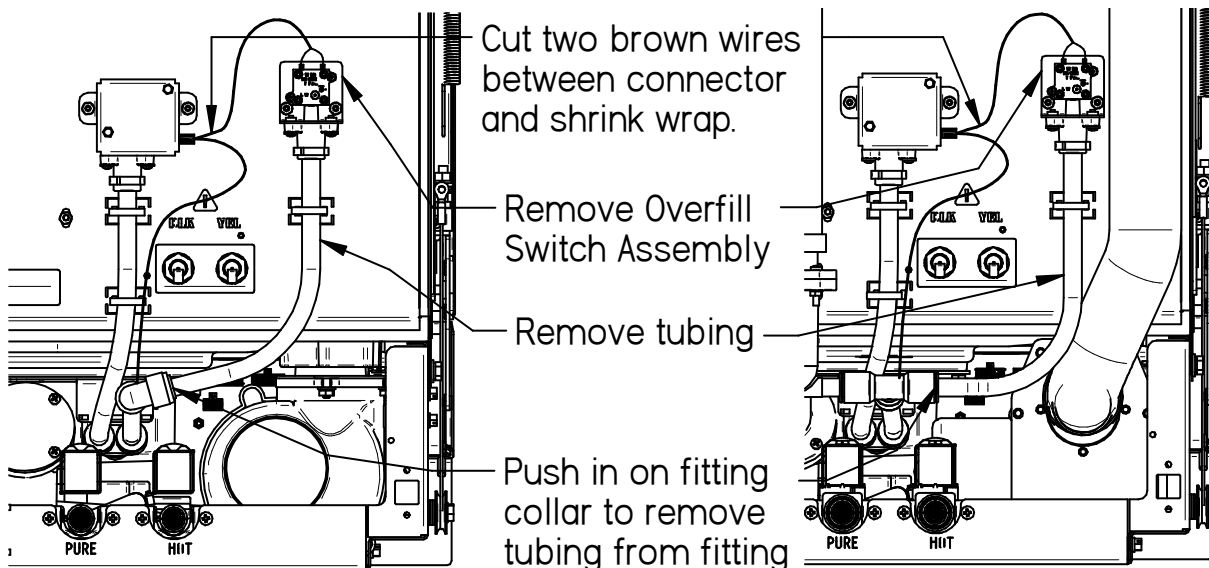
1885408	Mach. screw, #6-32 x .50, SS
1907013	Hex nut, 6-32, SS
4685413	PCB, overfill sensor, JST, w/ Ground Wire
4687200	Holder, overfill sensor
4687410	Instructions, Overfill Sensor, JST Kit #1
4687510	Patch Cable, Overfill Sensor, JST

Introduction

These instructions will retrofit the glassware washer's Overfill Sensor with the Overfill Sensor with Ground wire. This fix addresses issues with Fill Failures.

Uninstall the Overfill Switch:

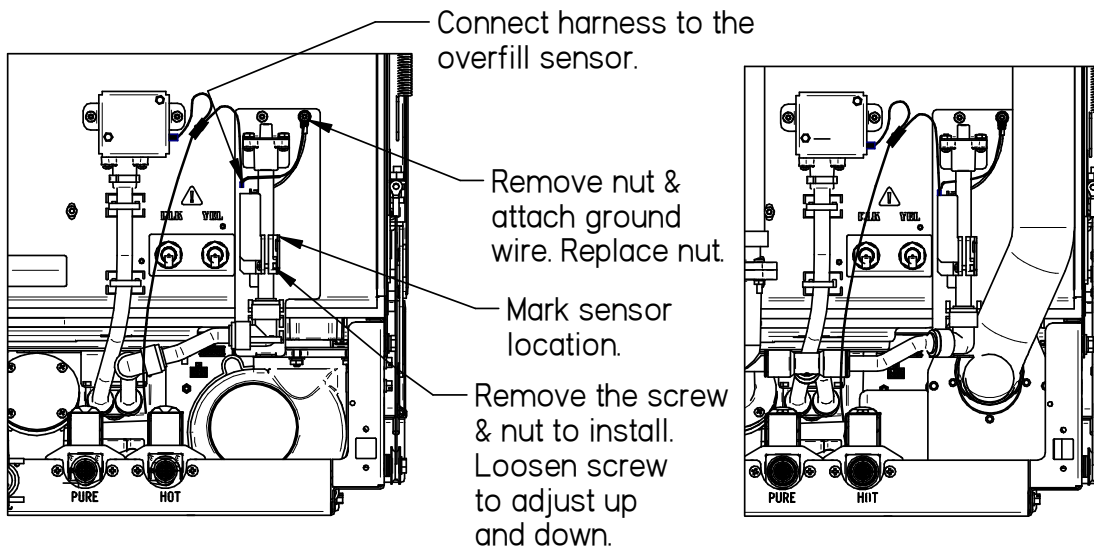
1. Disconnect power to the glassware washer.
2. Remove the overfill switch assembly.
3. Remove wire that went to the Overfill Switch and cut where shown.



SteamScrubber

FlaskScrubber

Install the Overfill Sensor:



SteamScrubber

FlaskScrubber

1. Connect the Overfill Sensor assembly to the back of the washer in the same location and with the same nuts for the Overfill Switch.
2. Connect the 3 ½" long tube to the existing push fit connector. Make sure both ends of the tube is completely seated in the push fit connector.
3. Connect the supplied harness in line with the harness in the washer and the connector on the back of the washer.
4. Attach the green ground wire to mounting stud after bracket is mounted. Pass the green ground wire behind the vertical tube.
5. Temporary secure the sensor and housing as high as it will go on the vertical tube.
6. Continue to next page for setting sensor height.

Set Overfill Sensor:

1. Turn the power back on
2. Go to the Maintenance Screen, and touch for 2 to 5 seconds the top and bottom left corners of the display simultaneously to get to the Factory Settings page.
3. Perform a factory fill. Once completed change the fill time to 5 and continue to fill the tank. Continue filling the tank. You will receive the High Water Alarm. Keep filling until the water level touches the baffle retainer on the front of the washer. Turn off the water immediately by pressing the “OK” and “STOP FILL” buttons on the display.
4. Check the water level in the tank. The water level should be just touching the baffle retainer. The blue light on the overfill sensor should be on.
 - a. If the water level didn't reach the baffle retainer, the sensor should be moved up. Add water until it reaches the baffle retainer and the blue light turns on.
 - b. If the blue light is not on, the sensor should be moved down.
5. Raise the sensor up 1/8” above this until the light goes off. Tighten the screw (do not overtighten).
6. Drain the water and repeat step 4 to confirm that the Overfill Sensor is set correctly. **Caution:** *In the Factory Fill Screen only, you can continue to add water over the High Water Alarm until the Overfill Sensor actuates. If the Overfill Sensor is set too low, you will never get the High Water Alarm. If the Overfill Sensor is set too high and never actuates you can continue to add water and over run the tank.*

