

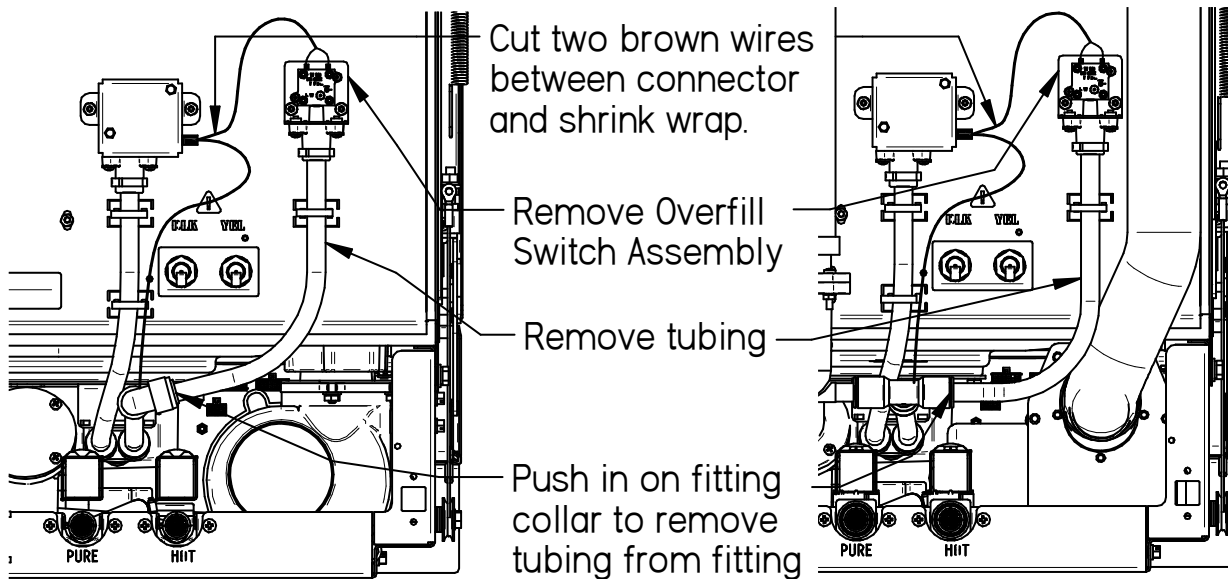
Installation Guide for Overfill Sensor Retrofit Kit – #4687300

Introduction

These instructions will retrofit the glassware washer's Overfill Switch with the Overfill Sensor.

Uninstall the Overfill Switch:

1. Disconnect power to the glassware washer.
2. Remove the overfill switch assembly.
3. Remove wire that went to the Overfill Switch and cut where shown.

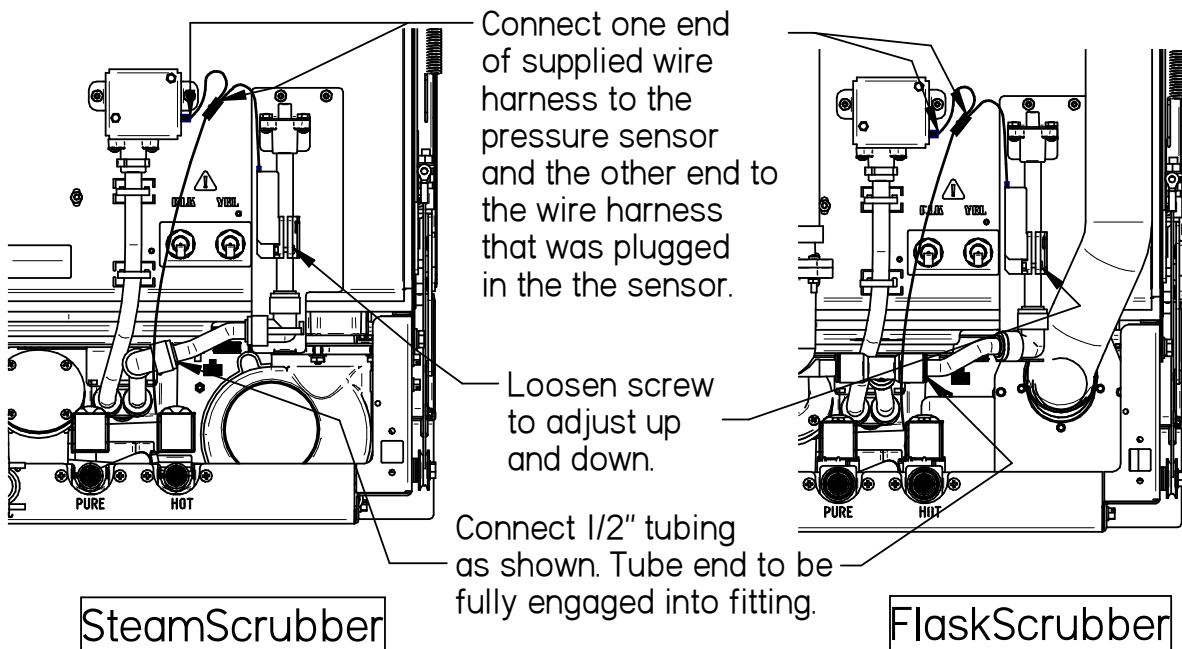


SteamScrubber

FlaskScrubber

Install the Overfill Sensor:

1. Connect the Overfill Sensor assembly to the back of the washer in the same location and with the same nuts for the Overfill Switch.
2. Connect the 3 1/2" long tube to the existing push fit connector. Make sure both ends of the tube is completely seated in the push fit connector.
3. Connect the supplied harness in line with the harness in the washer and the connector on the back of the washer.



Set Overfill Sensor:

1. Turn the power back on.
2. Loosen the screw on the Overfill Sensor Holder and slide the sensor all the way up.
3. Go to the Maintenance Screen, and touch for 2 to 5 seconds the top and bottom left corners of the display simultaneously to get to the Factory Settings page.
4. Perform a factory fill. Once completed change the fill time to 5 and continue to fill the tank. Continue filling the tank until you receive the High Water Alarm. Turn off the water immediately by pressing the "OK" and "STOP FILL" buttons on the display.
5. Check the water level in the tank. The water level should be just touching the top of the distribution tube.
6. Move the Overfill Sensor down until the blue light on the sensor illuminates. Raise the sensor up 1/8" above this until the light goes off. Tighten the screw (do not overtighten).
7. Drain the water and repeat step 4 to confirm that the Overfill Sensor is set correctly. **Caution:** In the Factory Fill Screen only, you can continue to add water over the High Water Alarm until the Overfill Sensor actuates. If the Overfill Sensor is set too low, you will never get the High Water Alarm. If the Overfill Sensor is set too high and never actuates you can continue to add water and over run the tank.