

GENERAL DESCRIPTION

FREESTANDING FLASKSCRUBBER SERIES GLASSWARE WASHER
Model # 412101013, 208/230V, 50/60 Hz, 3 Phase, with Viewing Window

MATERIALS/CONSTRUCTION:

- Upper and lower racks, type 304 stainless steel.
- Type 304, stainless steel sides and top.
- Type 304, stainless steel top, door, tank, upper and lower wash arms.
- Internal Wash Chamber Dimensions:
 - 22.6" x 21.3" x 24.8" (195.6L)

- Clear tempered safety glass viewing window with 25-watt LED light.
- Electronic door latch featuring SpeedVent™ technology.
- Level sensing acid rinse dispenser.
- One-piece, stainless steel, fine mesh particle drain filter.
- Factory installed drain hose and band clamp.
- Aluminum-backed insulation and fiberglass thermal blanket.
- Four leveling feet.
- Two-year warranty on parts and labor.

PERFORMANCE:

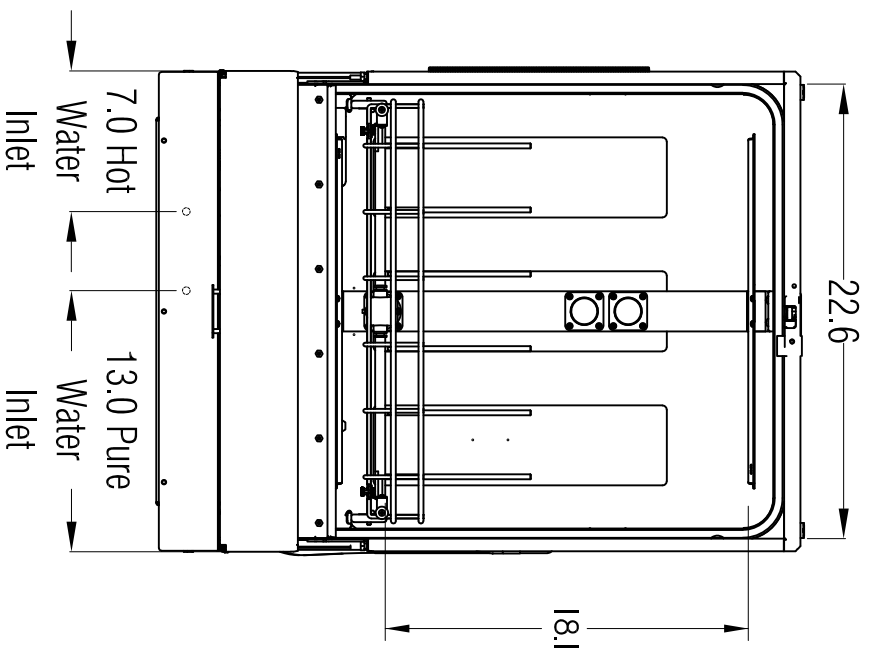
- Water temperatures reach up to 199°F (93°C).
- 6.0 kW heating.
- Pump rated at 112 gal/minute (474 liters/minute)
- Synchronous drain pump to evacuate up to 4.2 gallons/minute (15.9 liters/minute).
- Purified water pump.
- Up to 8 pure water rinses.
- Steam generator.
- Forced air drying into the wash chamber, programmable up to 250 min and from 100-176°F (38-80°C).

CONTROL/SUSER INTERFACE:

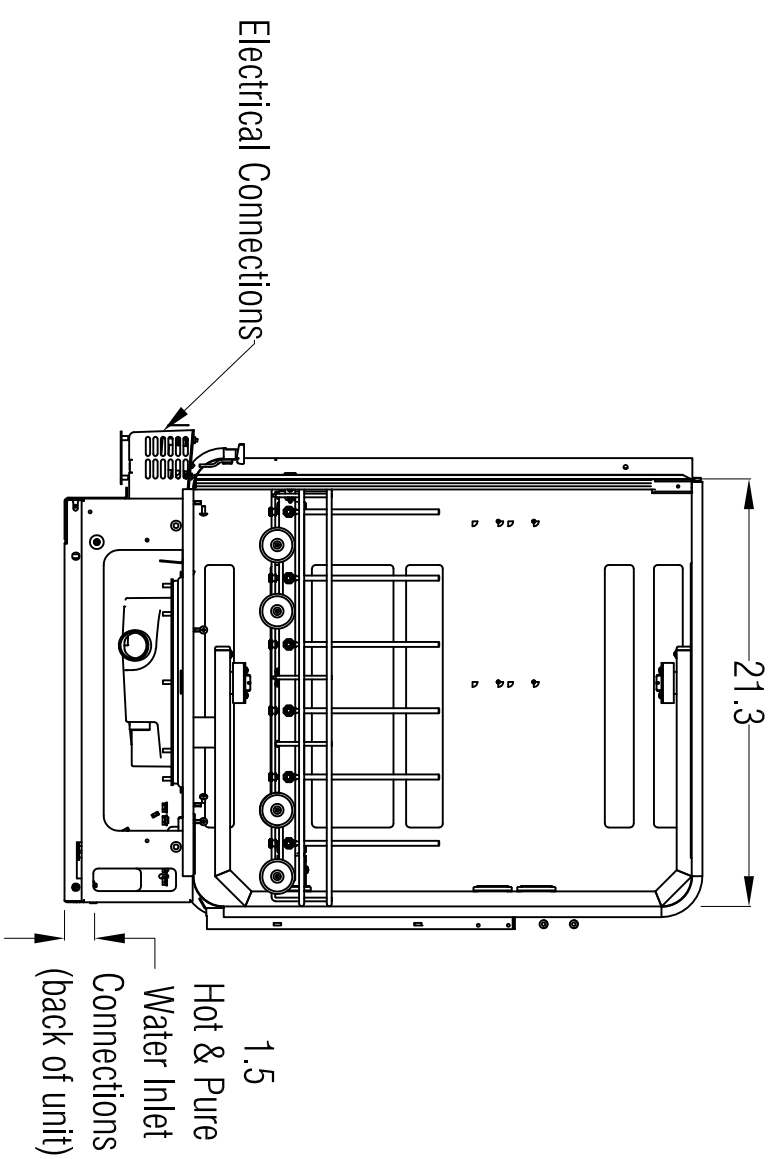
- Full color touch screen display featuring CleanWorks™ OS.
- 9 factory-set programs.
- Up to 200 user-defined programs.
- Clear and specific alarm displays.
- Calibratable sensors.
- Self-diagnostics.
- Password protection.
- USB data output.

INSTALLATION REQUIREMENTS:

- Electrical Requirements (all hard-wired):
 - 208/230V, 50/60 Hertz, three-phase (dedicated 20 amp circuit)
- Hot Water:
 - Recommended inlet water temperature 120°F (49°C).
 - Hot tap water pressure of 20-120 psi (138-827 KPa).
 - Hot water inlet flowrate of ≥ 1.25 gallon/minute (4.7 liter/minute).
- Optional Purified Water:
 - Minimum optional purified water pressure 0 psi (0 KPa).
 - Pure water inlet flowrate 0.9 gallons/minute (3.4 liter/minute).
- Optional Drain Water Cooling Kit:
 - Cold water source is required.
 - Supply tube is 0.62" OD by 0.375" ID.
- Drain:
 - Standpipe or tubing of 5/8" (1.6 cm) ID or larger.
 - Use of air gap is strongly recommended.
- Water consumption per fill 3.4 gallons (12.9 liters).
- Hot and Pure water connections consisting of a male $\frac{3}{4}$ -1- $\frac{1}{2}$ GHT hose fitting.

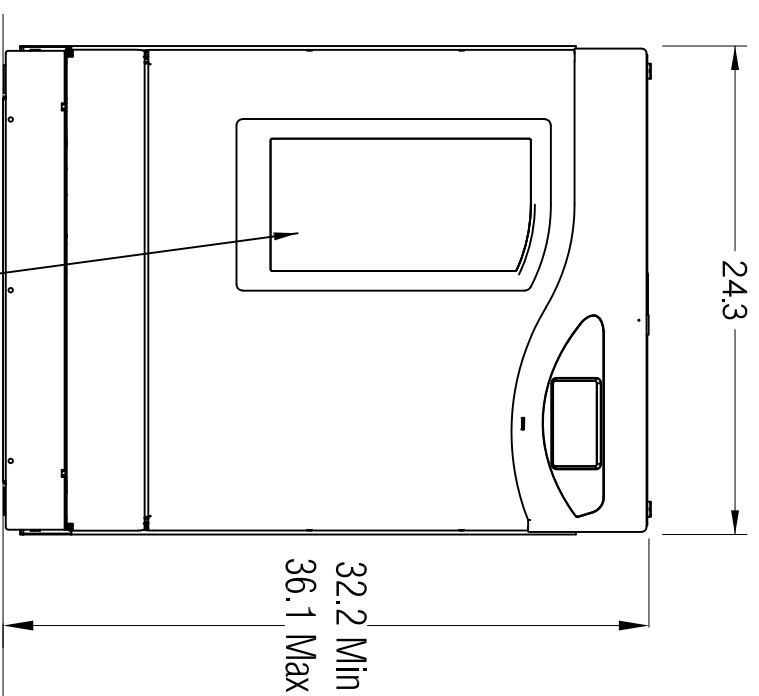


(Front View)

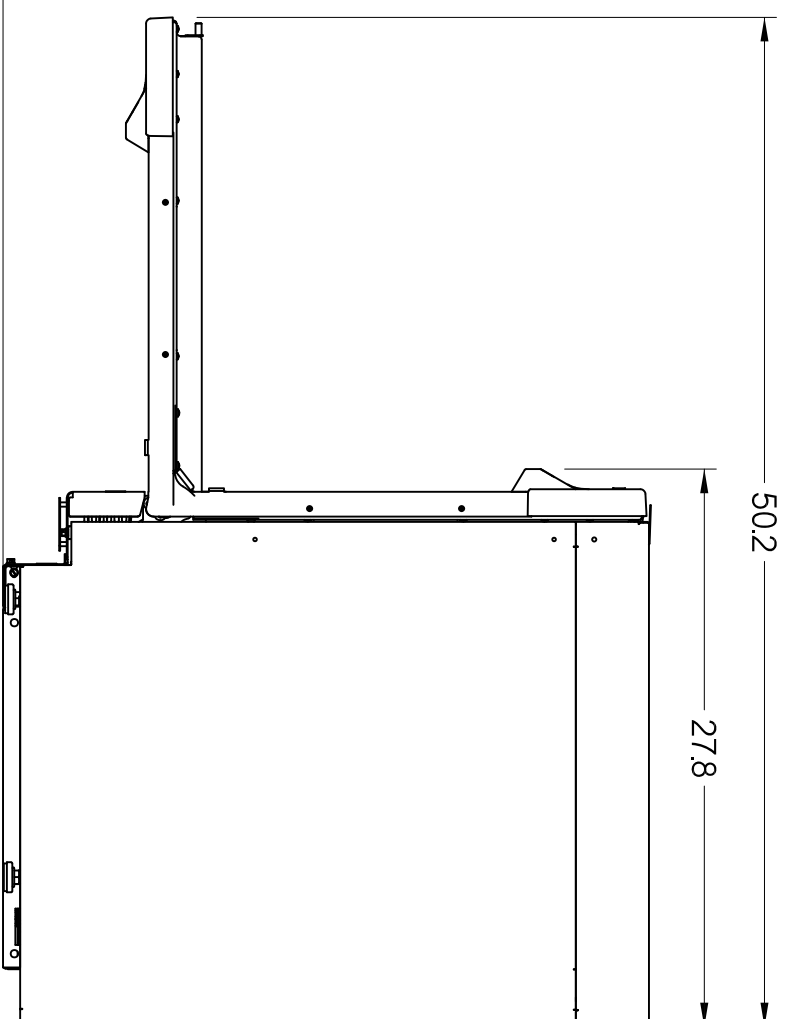


INTERIOR

(Side View)



(Front View)



EXTERIOR

(Side View)



LABCONCO CORPORATION • KANSAS CITY MO USA 64132
800-821-5525 / 816-333-8811 • labconco.com

Glassware
Washer
for:

Rev _____ Date _____

Date: 02-14-2024

Drawing # 412101013

Drawn By: C. Alumbaugh

Checked By: _____

Approved By: _____

Sheet No. _____