



# Capture BT

Capture™ BT Fuming Chambers



Protecting your  
laboratory environment

**LABCONCO**



# CAPture™ BT Fuming Chambers

## Features & Benefits

This benchtop chamber with microprocessor control automates the Cyanoacrylate (CA) fuming of evidence. The programmable operating system combines the control and monitoring of all critical parameters in

the Super Glue fuming process with the precision to store and easily repeat specified programs. Its spacious interior with shelving system maximizes fuming capacity and accommodates large evidence including long guns.



**Interior cleans easily.** CA deposits on the Type 304 stainless steel liner may be removed effortlessly with stainless steel cleaner.

**Microprocessor-controlled operating system with capacity for 20 programs** provides flexibility and control of chamber humidity, pre-fuming humidity incubation for old evidence hydration, fuming temperature, and fuming and exhaust times. Three programs are factory set for high heat, low heat and Lumicyano\*. Diagnostic mode simplifies troubleshooting.

**Perforated floor** allows CA fumes to reach all sides of evidence placed on it and is removable for cleaning.



**Convenient drawer, 28" w x 13" d x 1.5" h,** has flush-mounted disappearing handle, platform for supporting fuming dishes while adding CA, and compartments to store glue, hanging rods and other accessories and supplies.

**Acti-Vent™ Smart Controls** purge air to protect evidence and the user. Purging continues for up to 30 minutes after exhaust cycle ends to prevent overfuming and may be programmed to continue during evidence unloading. Standby mode refreshes chamber air when not in use. Cleaning mode allows air to be exhausted when the door is open to protect the user from noxious vapors.

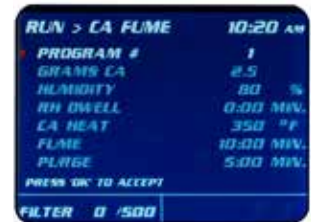
**LED light** illuminates the interior and flashes for 30 minutes to indicate the end of a fuming cycle.

**Easy-to-access filters.** Prefilter and exhaust and humidifier filters may be easily changed from inside the chamber.



**Optional CAPture BT Mobile Stand** supports the chamber and adds portability. Shelves and side compartment hold accessories and other items. See back page for ordering information.

**Dual blower design.** ECM recirculation blower provides equal airflow through the chamber during humidifying and fuming cycles, even when the chamber is fully loaded. Exhaust blower directs air out of the chamber after passing through a prefilter and carbon filter to protect the operator.



**Full-color, eye-level LCD control screen** provides at-a-glance monitoring. Displays include number of completed fuming cycles, filter life remaining, and low-level water reservoir and open door alerts.

**Largest interior of any benchtop chamber available holds up to 15 long guns.** Interior is 27" wide, 27" deep, 44.5" high, 58.6" diagonal and 19 cubic feet.

**Electronic door lock with power outage manual override** prevents opening during the fuming cycle. Accommodates tamper-evident security tags (sold separately).

**Quick-release sidewall brackets** allow easy installation and removal of accessory shelves (sold separately).

**Built-in humidifier with compartment** that houses and provides easy access to the water bottle.



**CA fuming compartment** houses and provides easy access to the heater plate.



\*Lumicyano™ is a trademark of Crime Scene Technology, Villeneuve-d'Ascq, France.





# Capture™ BT Fuming Chambers

## Specifications, Ordering Information & Dimensional Data

### SPECIFICATIONS

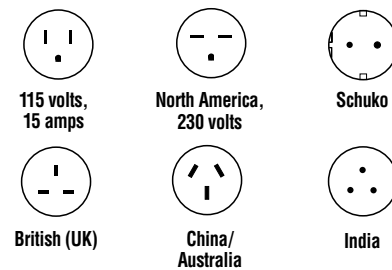
- Type 304 brushed stainless steel interior with removable perforated floor, four stainless steel hanging rods (26.9" long x 3/8" dia.) and quick-release sidewall brackets mounted at four heights.
- Powder-coated steel exterior
- Interior space of 19 cubic feet and 58.6" diagonal dimension
- Built-in humidifier and compartment with 500 ml water bottle
- Built-in CA fuming compartment with heater plate
- Tempered safety glass door with electronic door lock to prevent opening during the fuming cycle. Includes power outage override.
- Interior LED light for illumination and 30-minute end-of-fuming-cycle alert
- ECM recirculation blower
- Exhaust blower
- Full-color, eye-level LCD control screen for display of programs, program parameters, number of completed fuming cycles, filter life remaining, low-level water reservoir and open door alerts
- Microprocessor-controlled operating system for adjustment of chamber humidity to 80% +/- 5% relative humidity, pre-fuming humidity incubation, fuming temperature up to 424° F (218° C) within +/- 1%, and fuming and exhaust times. Stores 20 programs. Includes 3 factory set programs: Low Heat, High Heat, Lumincyano. Includes diagnostic mode with audible/visual alerts for program cycle completion.
- Acti-Vent Smart Controls with programmable purge time, standby exhaust mode and cleaning mode
- Drawer, 28" w x 13" d x 1.5" h (71 x 33 x 4 cm) with flush-mounted disappearing handle and 5" x 6" platform
- One each Prefilter, Carbon Filter and Humidifier Filter are included and accessible from inside the chamber
- Four leveling feet, 10' (3 meter) power cord and plug
- ETL and ETL-C listed (Models 3170000 and 3170001)
- CE conformity marking (Models 3170002, 3170003, 3170004 and 3170005)
- Super Glue, fuming dishes, and purified water are required (not included)**
- Shipping weight 480 lbs. (218 kg)

### ORDERING INFORMATION

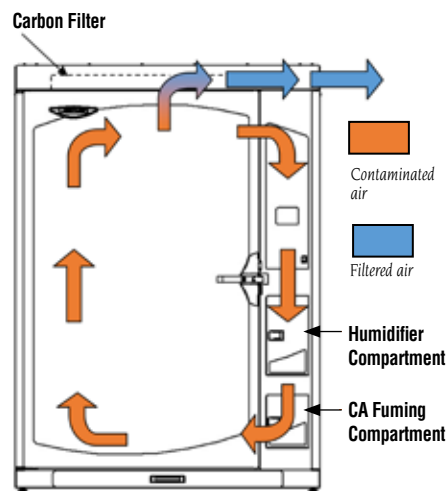
Catalog #	Electrical Specifications
<b>3170000</b>	115 volts, 60 Hz, 8 amps, 115 volts, 15 amp plug
<b>3170001</b>	230 volts, 50/60 Hz, 4 amps, North America, 230 volt plug
<b>3170002*</b>	230 volts, 50/60 Hz, 4 amps, Schuko plug
<b>3170003*</b>	230 volts, 50/60 Hz, 4 amps, British (UK) plug
<b>3170004*</b>	230 volts, 50/60 Hz, 4 amps, China/Australia plug
<b>3170005*</b>	230 volts, 50/60 Hz, 4 amps, India plug

\*International electrical configuration

### PLUG CONFIGURATIONS



### AIRFLOW



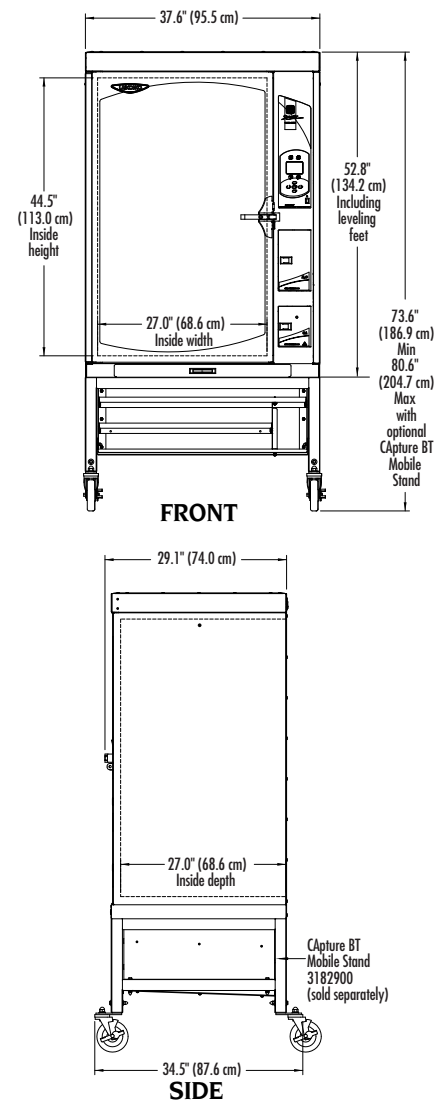
During the humidifying or fuming cycle, air is recirculated within the chamber. The recirculation blower pulls air from the top of the chamber and directs it to the bottom of the chamber. During the exhaust or purge cycle, the exhaust blower draws air from inside the chamber through a pre-filter and carbon filter located above the top of the chamber. The exhaust blower then directs the filtered air back into the room via slot openings located on the right side rear.



Capture BT Fuming Chamber 3170000 on  
Capture BT Mobile Stand 3182900



### DIMENSIONAL DATA





# Capture™ BT Fuming Chambers

## Accessories



**3182900 Capture BT Mobile Stand.** Powder-coated steel frame with 5" diameter, toe-locking, polyurethane casters. Manually adjustable height from 21" to 28" h (53 to 71 cm). Shelves and compartment hold supplies and accessories.

Overall width x depth: 37.6" x 34.5" (96 x 88 cm). Shipping weight 150.0 lbs. (68 kg)



**3184000 Hanging Rod Kit.** Includes four stainless steel rods, 26.9" long x 3/8" diameter (68 x 1 cm). Rod weight limit: 15 lbs. (7 kg). Four each rods are included with each CAPture BT. Shipping weight 5.0 lbs. (2 kg)



**Wire Shelf Kits.** Each shelf fits onto CAPture BT sidewall brackets. The CAPture BT can hold up to four wire shelves. Shelf weight limit: 25 lbs. (11 kg). Stainless steel. Shelf dimensions: 26" w x 23" d (66 x 58 cm).

Catalog Number	Description	Shelf Qty.	Shipping Weight
3181511	Wire Shelf Kit-1	1	5.0 lbs. (2 kg)
3181512	Wire Shelf Kit-2	2	10.0 lbs. (5 kg)
3181514	Wire Shelf Kit-4	4	20.0 lbs. (9 kg)



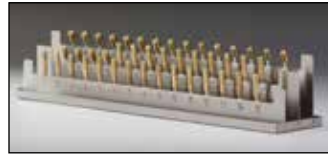
**3181522 Wire Half Shelf Kit.** Includes two wire half-depth shelves. Each shelf fits onto CAPture BT sidewall brackets. The CAPture BT can hold up to eight half-depth shelves. Stainless steel. Shelf weight limit: 15 lbs. (7 kg). Shelf

dimensions: 26" w x 12" d (66 x 30 cm). Shipping weight 5 lbs. (2 kg)



**Perforated Shelf Kits.** Each shelf fits onto CAPture BT sidewall brackets. The CAPture BT can hold up to three perforated shelves. Stainless steel. Shelf dimensions: 26" w x 23" d (66 x 58 cm). Shelf weight limit: 25 lbs. (11 kg)

Catalog Number	Description	Shelf Qty.	Shipping Weight
3181611	Perforated Shelf Kit-1	1	10.0 lbs. (5 kg)
3181612	Perforated Shelf Kit-2	2	20.0 lbs. (9 kg)
3181613	Perforated Shelf Kit-3	3	30.0 lbs. (14 kg)



**3181700 Casing Holder Kit.** Provides 44 numbered standoffs for upside down casing placement. For casings .32 caliber or larger. Shipping weight 10 lbs. (5 kg)



**3184100 Long Gun Holder Kit.** Provides five U-shaped cradles for long guns to be held securely. Holder locks into existing side wall brackets. CAPture BT can accommodate up to 15 long guns (three Holder Kits). Stainless steel. Shipping weight 4 lbs. (2 kg)



**3184200 Large Clip Kit.** Includes ten large clips. Each clip is 3.5" x 1.5" x approximately 0.3" thick (9 x 4 x 0.8 cm). For easy hanging of larger items, such as hand guns. Stainless steel. Shipping weight 2 lbs. (1 kg)



**3184300 Mini Clip Kit.** Includes ten small, alligator-style clips. Each clip is 1.2" x 0.3" (3 x 0.8 cm). For easy hanging of smaller, lightweight items, such as plastic bags. Shipping weight 1 lb. (0.5 kg)



**3902400 Security Tags.** Tamper-evident, label tags irreversibly indicate if the chamber door has been opened during the fuming cycle. Package of 100. Shipping weight 1 lb. (0.5 kg)

**3181400 Replacement Prefilter, Exhaust.** Polyester prefilter prolongs the life of the Carbon Filter. Replace approximately every 50 cycles. Package of 10 filters. Shipping weight 7 lbs. (3 kg)

**3186500 Replacement Carbon Filter, Exhaust.** Granular activated carbon filter traps CA fumes prior to exhaust from the chamber. Replace approximately every 500 cycles. One each. Shipping weight 16 lbs. (7 kg)

**3181401 Replacement Humidifier Filter.** Activated carbon filter protects the humidifier from CA fumes. Replace approximately every 500 cycles. One each. Shipping weight 9 lbs. (4 kg)

**3185900 Complete Replacement Filter Kit.** Provides all filters necessary for approximately 500 cycles. Includes one each 3186500 Carbon Filter, one each 3181401 Humidifier Filter and one package of 3181400 Prefilters (10 each). Shipping weight 34 lbs. (15 kg)



Labconco Corporation • 8811 Prospect Avenue • Kansas City • Missouri 64132-2696  
816-333-8811 or 800-821-5525 • FAX 816-363-0130 • www.labconco.com

© 2015 by Labconco Corporation.  
Product design subject to change without notice.  
Printed in the U.S.A.