



**LABCONCO CORPORATION** 8811 Prospect Ave, Kansas City, MO 64132 (816) 333-8811  
or (800) 821-5525 • (816) 363-0130 fax • labconco.com

## Quick Start Installation Guide for Logic® Class II Biosafety Cabinets

### Preparations

Do not discard packaging until you have identified all parts that were shipped, and the products operate properly.

### Safety Precautions

The following safety precautions must be followed by all personnel unpacking the equipment.

- Wear safety glasses
- Wear gloves
- No loose fitting clothes
- Wear close-toed shoes
- The packaging allows for lifting with a mechanical lift truck or hand truck. If you must lift the equipment manually, use at least two (2) persons and follow safe lifting guidelines.

### Packaging

- Unit ships on a skid – weight varies 485 lbs. to 1440 lbs.
- A telescoping base stand may be included, if purchased as a package.

## Requirements

### Tools & Equipment

- Pliers or flathead screwdriver
- #2 Phillips screwdriver
- (2) ½" adjustable wrenches
- Level
- Hydraulic lift table (or similar) capable of lifting up to 900 lbs.

### Labor

- 2 people

## Location

- Flat, level surface space to accommodate each component's footprint with a minimum 6" clearance on top, back, and sides.

## Proper Electrical Supply

- Each cabinet must have a dedicated single-phase non-GFCI circuit.
- 115V models
  - A 15 Amp outlet is required for:
    - 3' and 4' Type A2 models (all sash openings)
    - 4' and 6' Type B2 models (all sash openings)
    - Plug Type: NEMA 5-15P



- A 20 Amp outlet is required for:
  - 5', 6', and 8' Type A2 models (all sash openings)
  - 4' and 6' Type C1 models (all sash openings)
  - Plug Type: NEMA 5-20P



- 230V models
  - Receptacle that matches the plug supplied with the unit



## Unpackaging

Thoroughly inspect packaging to ensure damage did not occur during shipping.

- Document any damage by taking 4 photos of the package before unpackaging.
- Unpack the Biosafety Cabinet (BSC) and thoroughly inspect it for damage that may have occurred in transit.
  - If there is damage, notify the delivery carrier immediately and retain the entire shipment intact for inspection by the carrier. The United States Interstate Commerce Commission rules require that claims be filed with the delivery carrier within fifteen (15) days of delivery.

- Do not discard the carton or packing material for the BSC until you have checked for all components, completed installation, and successfully tested the product.
- Ensure the BSC is still attached to its pallet before moving. Using a floor jack or furniture dolly, move the cabinet to the installation location. **DO NOT** move the cabinet by tilting it onto a hand truck.
- The BSC is secured to the pallet in two places on each side. Remove the BSC from the pallet by conducting the following steps:
  - To access the nuts and bolts holding the product to the pallet, remove the side panels by removing and keeping the two Phillips screws on both panels.
  - Swing the front of each panel away from the cabinet, and lift it straight up to remove the panel from the cabinet.
  - Next, remove the front and rear bolts on each side that secure the BSC to the pallet.



## Installation



- **Warning: Biosafety Cabinets contain HEPA filters, which are extremely fragile and costly to replace. Use extreme caution when handling to avoid damage.**
- To avoid injury, use a mechanical lift to raise the BSC.
- **DO NOT** lift the cabinet in the middle front area of the hull. Lifting here may bend or distort the bottom of the cabinet, causing damage to the unit.
- If installing the cabinet onto an existing work surface or benchtop, ensure that the structure can safely support the combined weight of the cabinet and any related equipment.
- If installing the cabinet onto a Labconco base stand, first follow assembly instructions for the base stand. Carefully secure the BSC to the base stand using the provided hardware in accordance with the directions provided with the base stand.
  - Align the mounting tab holes on the cabinet with the four holes on the stand's top rail
  - Drop each bolt through the mounting tab hole and into each hole on the stand's top rail
  - Carefully lower the cabinet onto the stand
  - After the cabinet is in place, remove each attachment bolt (one at a time)

- Flip over each bolt to install it up through the stand's top rail, and add the associated washers and nut before tightening
- To release the sash counterweights, first locate the yellow notification tags on the front of the BSC. Follow tag strings to sash weight cotter pins. Support the counterweight with a screwdriver. Remove cotter pins, then pull support pins outward to free sash counterweights and gently lower the counterweight with the screwdriver. Ensure that the counterweight does not fall freely without support.

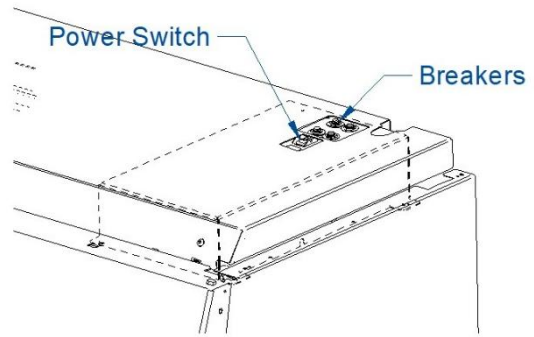
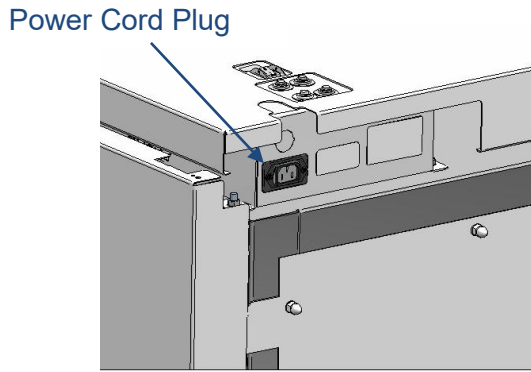


## Powering the Biosafety Cabinet

- Raise the sash, then lift the work surface to locate the BSC parts box. Inside you will find the power cable, USB flash drive with manual, and other accessories provided with the BSC.



- Plug the cable into the rear of the power box, located at the top right of the BSC. Then turn the BSC on using the master power switch on the top of the power box.



## Final Steps

- All Class II BSCs must be tested by a qualified Certifier prior to use.
- Depending on application requirements, some Type A2 and C1 BSCs may need to be connected to exhaust ductwork. All Type B2 BSCs must be connected to exhaust ductwork to function properly.
- Some BSCs may include service fixtures (valves) that must be plumbed prior to use.



**This Quick Start Installation Guide may not provide all the information necessary for your particular biosafety cabinet installation. For further details including user's manuals and installation videos, scan the QR code or click [here](#).**

